

# BUYERS GUIDE / CATALOG



- \* Transmission & Transfer Case Adapters
- \* Atlas 2 & 4 Speed Cases
- \* 42RLE Rubicrawlers
- \* Saturn & Ranger Overdrives
- \* Complete Engine Mounting Systems
- \* Cooling Systems & Accessories
- \* Power Steering Conversions
- \* Orion Transfer Case Kits
- \* Conversion Exhaust Headers

... and *MUCH* more ...

**JEEP**

Land Cruiser

Dodge

GM

Scout

FORD

**Toyota Truck**

OVER 40 YEARS OF DRIVETRAIN EXPERTISE

# BUYER'S GUIDE NO. 42

JULY 1, 2012

This **Forty Second** edition of the Advance Adapters Buyer's Guide has been revised with every consumer in mind. The general catalog format is designed for auto parts stores, mechanics, technical salesmen, and home mechanic; although it may not always answer specific questions presented by the consumer. This catalog is directed towards the most popular engine and transmission conversion requirements. The Buyer's Guide is not intended to be a technical guide with specific requirements and alternatives, although it will supply you with the latest information that is available at Advance Adapters. If you have additional questions or your vehicle is not listed, then we suggest that you contact our sales staff for further assistance. This catalog is updated every 9-12 months. Advance Adapters has made every effort to inform you of all of the necessary modifications required for each of the conversions. *Due to various vehicle production changes, Advance Adapters cannot always be absolutely positive on all the conversion requirements for each vehicle, especially vehicles less than 3 years old.* Prices listed are subject to change so we suggest that you verify pricing if your Buyer's Guide is more than 12 months old. We are pleased to receive your inquiry indicating your interest in the Advance Adapters product line. Our organization is proud to serve you and ready to help with your automotive needs. If you should have any questions or comments, please feel free to contact our sales staff.

**PRODUCT LIMITATIONS:** All of the conversion components that Advance Adapters lists are intended for offroad use. Advance Adapters cannot be held liable for any vehicle modifications since all conversion components and kits are intended for off-highway application use only. Before using any of our products, we recommend that you check your local and state vehicle regulations to be sure that you are within the laws concerning your specific vehicle modifications. Exhaust systems are not legal for sale or use on pollution controlled motor vehicles. They are legal only for racing vehicles which may never be used upon a highway. They are not applicable or intended for street or highway use.

**WARRANTY:** Advance Adapters warranties all of the products sold and distributed by our company without exception, even those used in competition-type vehicles. Warranty is limited to repair or replacement. Advance Adapters *does not offer* any type of labor allowance, and all warranty claims are subject to inspection by Advance Adapters. We have different warranties on the several products that we manufacture and they are as follows:

All Adapters, Motor Mounts, Headers, NV Transmissions & Miscellaneous Accessories: These products have a warranty good for ninety (90) days from the date of shipping. These products will be free from defects in material and workmanship under customary and normal installation, use, and service. *We do not warranty the chrome plating on the exhaust headers. The use of aftermarket header wrap products WILL VOID the header warranty.*

RubiCrawler, Saturn, and Ranger Torque Splitter O.D.: These units have a warranty for 1 year from the date of shipping. These products will be free from defects in material and workmanship under the customary and normal installation, use, and service. We will not warranty any units that have not had adequate oil and maintenance. If at anytime within the one year warranty period you have a problem or claim, simply return the unit prepaid to Advance Adapters and it will be completely rebuilt or replaced free of charge--*provided the proper installation procedures were followed.*

Atlas & Orion Assemblies: Atlas transfer cases are guaranteed against defects in workmanship and materials *for the life of the original purchaser* and is non-transferable. This lifetime guarantee covers and is limited to gear sets and castings. The remainder of the unit (i.e. shafts, bearings, gaskets, hardware) is covered by our limited 1-year warranty. Warranty begins from the date the unit is shipped from Advance Adapters. Orion assemblies have a warranty for 6 months from the date of shipping.

Lifetime & limited warranties are void if (as determined by Advance Adapters) misuse, abuse, alterations of the product, improper install or if the proper gear lubricants are not used, proper oil levels are not maintained, and installation and maintenance instructions have not been followed. These guarantees DO NOT cover any labor, shipping, normal wear or any other unforeseen event that may occur due to failure of a unit.

At the discretion of Advance Adapters, the products in question can be repaired or replaced when found defective. *Prior to any replacement or repair, written authorization must be obtained from Advance Adapters.* Failure to contact us prior to having warranty work performed will immediately void all applicable warranties; and it is then the sole responsibility of the customer to remit any payment incurred.

**CATALOG CONTENTS:** This Buyer's Guide has been put together with the best possible information available. Advance Adapters cannot accept the responsibility for vehicles, applications & OEM part numbers that may have changed. The contents of this brochure has been proofread before printing to minimize errors. We cannot be held responsible for errors overlooked. The artwork and copy is the property of Advance Adapters, Inc. and any use in part or in whole, must obtain written permission from Advance Adapters. All contents of this catalog have a copyright and are reserved for Advance Adapters, Inc. only.

**TRADE MARK:** The word Jeep & Jeep grille as used in the contents of this brochure have been recognized as a registered trademark of the Chrysler Corporation.

**ORDERING INFORMATION:** To place an order for items listed in this catalog, we suggest that you call for current pricing & freight charges. We can then charge your order by credit card, or a check for the full amount may be mailed to us prior to shipping. Personal checks are subject to be held 10 days to clear before product is shipped. *Therefore, we recommend sending a Cashiers check or Money order.* C.O.D. shipments are Certified or money order funds only.

**TERMS OF SALE:**

1. C.O.D. shipments-- **CERTIFIED CHECK**  
or **MONEY ORDER ONLY.**
2. Visa, Mastercard, AMEX or Discover charge cards.
3. Merchandise is F.O.B. Paso Robles, California.
4. *Buyer agrees by acceptance of merchandise to be bound by these terms and conditions.*

**Advance Adapters Gift Certificates** obtained through giveaways, raffles & sponsored events have *no cash value* and *only good* for the purchase of AA branded products. Certificates purchased through Advance Adapters have *no limitations* and can be used toward any product.

**REFUSED SHIPMENTS:** Advance Adapters has the option of back charging for any freight charges incurred from a refused shipment.

**LOST or DAMAGED SHIPMENTS:** It is the responsibility of the carrier if merchandise is lost or damaged while in transit. *Damage claims or shortages should be filed promptly.* Please contact us for proper assistance and for all necessary shipping information for you to trace or file a claim.

# SALES DEPARTMENT CONTACT INFORMATION:

**TELEPHONE** (805) 238-7000  
**FAX** (805) 238-4201  
**TOLL FREE** (Nationwide) (800) 350-2223

**WEB PAGE** www.advanceadapters.com  
**E-MAIL ADDRESS** sales@advanceadapters.com

## BUSINESS HOURS: (Pacific Time)

Monday 8:00 a.m. to 4:30 p.m.  
 Tuesday 8:00 a.m. to 4:30 p.m.  
 Wednesday 8:00 a.m. to 4:30 p.m.  
 Thursday 8:00 a.m. to 4:00 p.m.  
 Friday 8:00 a.m. to 4:00 p.m.  
**Closed Saturday & Sunday**  
**Closed during Lunch:**  
 (Mon-Fri) 12 p.m. to 12:30 p.m.

## TABLE OF CONTENTS

### JEEP & SCOUT VEHICLE SECTION:

Transfer Case Information	
Jeeps 1941-79	5-8
Saturn Overdrive	
Jeeps 1980-86	9-11
Jeeps 1987 & Up	12-14
NP231 Fixed Yoke Kit	
Complete NP231 & NP241	
Jeep 42RLE Reduction Box "The RubiCrawler"	20-21
<i>Atlas Transfer Case</i>	15-19
Drivetrain Yokes	22
Complete Transmissions	22-23
AX15, Automatics, NV4500 & NV3550	
Transfer Case Adapter Selection & Trans Data Charts	24-26
Bellhousing Adapters for Stock Jeep Transmissions:	
Jeep Transmissions 1941-79	27-28
Jeep Transmissions 1980-86	29
Jeep Transmissions 1987 & Up	29-30
Scout Transmissions	31
Jeep Transmission Retrofits	31-32
Special Conversion Bellhousings	32-33
Jeep Bellhousing Chart	34
Clutch Linkages	35-36
Crank Bushings and Clutch Release Arms & Bearings	37
Clutch Selection Chart	37
Radiators	38 & 78-79
Engine Mount Selection Chart & Additional Mounts	39-40
Exhaust Headers & Header Chart	40-41
Miscellaneous Brackets & Linkages	40 & 80-81
Saginaw Steering Conversions	41-44
<i>Moses Lude/Jeep Bibles</i>	80

### S10/S15 2WD & 4WD CONVERSIONS:

Engine & Transmission Adapters	45-47
--------------------------------	-------

### GM BLAZERS & FULL SIZE TRUCKS:

Transfer Case & Bellhousing Adapters	48-51
--------------------------------------	-------

### RANGER TORQUE SPLITTER:

Chevy, Ford & Land Cruiser Gear Splitters	52
---	----

### FORD FULL SIZE TRUCKS:

Transfer Case & Bellhousing Adapters	53-54
Ford 460 Motor Mounts	54

### DODGE GETRAG REPLACEMENTS

NV4500 Adapters Replacing Dodge Getrag	55
--	----

### FORD BRONCOS 1966-77:

Transfer Case Adapters	56-58
Atlas Transfer Case-Broncos	15-19

### FORD BRONCO II & RANGER TRUCKS:

Engine & Transmission Adapters	59-62
Atlas Transfer Case-Rangers, Bronco II & Explorers	15-19

### TOYOTA 4WD TRUCKS & 4-RUNNERS:

Stock Transfer Cases	63-64
Transfer Case Adapter Chart	65
Engine Conversion & Bellhousing Adapters	66-67
Dual Transfer Case Crawler Box & Toyota Gears	67-68

### TOYOTA LAND CRUISERS:

General Conversion Information	69-71
Transmission Retrofits - SM420, SM465 & NV4500	71
Transfer Case Selection Chart	72
Bellhousing Adapters	73-74
Orion Transfer Case & Rock Crawling Options	75-76
Saginaw Steering Conversions	41-44
Mark's 4WD Adaptors	86

### LAND ROVER:

Transfer Case Adapters	77
------------------------	----

### MISCELLANEOUS:

Rad-a-Kool Radiators	78-79
<i>Moses Lude/Jeep, GM, Ford &amp; Toyota Bibles</i>	80
Lokar Products, Shift Components & Starters	80-81
Vortec Engine Information	82-83
Engine Information	84
Vehicle Speed Sensor Information (VSS)	85
Mark's 4WD Adaptors	86
Automatic Transmissions & Compushift	86
Uni-Raise Drivetrain Jack	87
Apparel, Web Packages & Suzuki Gear Sets	88

**RETURN OF MERCHANDISE:** *No merchandise may be returned without prior permission from Advance Adapters.*

Each shipment being returned must have an **Return Goods Authorization Number (RGA#)** listed on the outside of the package. Please contact our sales department to obtain an RGA number. Refunds or credits on merchandise *after 30 days* of purchase is at the discretion of Advance Adapters. *Merchandise being returned for credit may be subject up to a 30% restocking fee.* When returning merchandise, shipment must be **PREPAID**. **Freight is not refundable.** P.O. Box 247, 4320 Aerotech Center Way, Paso Robles, CA 93446

### Freight Policy Refunds for Shipping Errors & Defective Parts:

- Advance Adapters will reimburse up to 3-day shipping, unless otherwise prearranged.
- Upon verification of an error or defect, freight charges (when noted on your packing slip or freight bill) will be credited.

# Website Features

Your Online Product Guide and Information Source



## Vehicle Configurator

EASILY SORT THROUGH THE AVAILABLE PRODUCTS AND CONVERSION KITS FOR YOUR SPECIFIC VEHICLE, YEAR, MAKE & MODEL. FINDING THE CORRECT PARTS FOR YOUR PROJECT HAS NEVER BEEN EASIER.



## Tech Vault

THE TECH VAULT IS A COLLECTION OF TECHNICAL DATA AND INFO THAT WE HAVE COLLECTED OVER THE LAST 40 PLUS YEARS. NEED TO KNOW SOME SPECIFICS ON YOUR DRIVETRAIN? THEN THE TECH-VAULT IS THE PLACE TO GO.



## Easy Navigation

THE NEW FLY-OUT NAVIGATION THAT HAS BEEN IMPLEMENTED WILL ALLOW YOU TO QUICKLY DRILL THROUGH LAYERS OF CATEGORIES AND SUB-CATEGORIES TO FIND THE SPECIFIC PRODUCTS THAT YOU ARE LOOKING FOR.



## Social Networking

KEEP IN TOUCH AND STAY INFORMED ON THE LATEST NEWS AND GOINGS ON HERE AT ADVANCE ADAPTERS. LIKE US ON FACEBOOK & FOLLOW US ON TWITTER FOR UP-TO-DATE INFO & SPECIAL OFFERS.



## Instructional Videos

PRODUCT DEMOS AND INSTALL VIDEOS ARE JUST A CLICK AWAY. WE HAVE RECENTLY BEGUN TO CREATE VIDEO CONTENT FOR SOME OF OUR MORE TECHNICAL PRODUCT INSTALLS TO HELP BETTER ILLUSTRATE ASSEMBLY PROCEDURE.

SUBSCRIBE AND BE NOTIFIED WHEN WE UPLOAD A NEW VIDEO.

## Reward Points Program

ORDER ONLINE AND SAVE. CHECK OUT OUR NEW ADVANCEADAPTERS.COM FREQUENT BUYER REWARDS POINT PROGRAM. THIS POINTS PROGRAM IS EXCLUSIVE TO PURCHASES MADE ONLINE AND CAN ONLY BE REDEEMED THROUGH ADVANCEADAPTERS.COM. THE SYSTEM IS SIMPLE: BUY PRODUCTS, GET REWARDED. FOR EVERY DOLLAR SPENT WITH ADVANCE ADAPTERS ONLINE (EXCLUDING SHIPPING COSTS), YOU WILL BE REWARDED "FREQUENT BUYER POINTS" IN THE AMOUNT EQUIVALENT TO 5% OF YOUR PURCHASES. THESE POINTS WILL BE STORED IN YOUR ACCOUNT AND CAN BE USED JUST LIKE CASH ON YOUR NEXT ONLINE PURCHASE FROM ADVANCE ADAPTERS. POINTS CAN BE USED TO PAY FOR SOME OR ALL OF YOUR NEXT ORDER. FOR EXAMPLE BUY A \$350 ADAPTER KIT TODAY AND YOU WILL RECEIVE 17.5 "FREQUENT BUYER POINTS" THAT CAN BE USED TOWARDS YOUR NEXT ORDER.

## Wholesale Accounts

WE ARE NOW ABLE TO OFFER OUR RESALER ACCOUNTS THE ABILITY TO MAKE PURCHASES VIA OUR WEBSITE. BY SIGNING UP FOR AN ADVANCE ADAPTERS E-MERCHANT ACCOUNT YOU WILL BE ABLE TO LOG INTO OUR WEBSITE AND TAKE ADVANTAGE OF YOUR SPECIAL PRICING AND PAYMENT TERMS, VIEW RECENT ORDERS, MANAGE SHIPPING ADDRESSES, TRACK PACKAGES, AND MORE. THIS SERVICE IS AVAILABLE TO ALL EXISTING AND NEW RESALE CUSTOMERS. PLEASE CALL US TODAY FOR MORE INFORMATION AND TO SIGN UP FOR AN ADVANCE ADAPTERS E-MERCHANT ACCOUNT.

## Salvage Yard

THE SALVAGE YARD IS OUTLET FOR DISCOUNTED PARTS, DUE TO PRODUCT FLAWS, SHIPPING DENTS AND DINGS, OR PARTS THAT HAVE BEEN INSTALLED AND THEN RETURNED AND CANNOT BE CLASSIFIED AS NEW, THESE ITEMS ARE LISTED ON THE SALVAGE YARD AT A DISCOUNTED PRICE. THEY, HOWEVER, ARE ALWAYS CHECKED AND CLASSIFIED AS "GOOD AS NEW" OR "NUMERICALLY CORRECT". ALL SALVAGE YARD PARTS CARRY OUR SAME WARRANTY WITH THE EXCEPTION OF SOME PRODUCT FINISHES WHICH ARE NORMALLY NOTED ON THE WEB.

# JEEP 1941-UP & SCOUT Transfer Case Adapters

This section of the Buyer's Guide deals with transfer case adapters in Jeeps 1941 to current models, and International Harvester Scouts. On the Jeep Transfer Case Selection chart to follow, you will find numerous listings of both transfer cases and the most popular GM, Ford, and Chrysler automatic & manual transmissions. By using this chart, you will be able to identify the specific adapter for your application. Most of these adapters will require additional components to complete your conversion needs. (i.e. motor mounts for engine swaps, crossmember mount, transfer case & transmission shifter components, transfer case alignment retainers, etc.)

In addition, most transmission swaps will normally require driveline modifications. We have listed both transmission and adapter lengths for your reference. The paragraphs to follow are listed by year of vehicle and transfer case application.

## 1941-79 JEEPS & SCOUTS

*(Dana Spicer 18 & 20 T/C) and SCOUTS (1980 Dana 300):*

These transfer cases, although used in different vehicles, all have the same bolt pattern. When considering a new transmission for one of these transfer cases, there are just a few things you must confirm: the transfer case *indexing* to the new adapter and the female *splines* on the transfer case input gear.

**INDEXING:** The Dana Spicer transfer cases were indexed to the stock transmission by either a bearing or a bearing retainer. Early Jeeps that were equipped with the T90 or T84 transmissions used a bearing to index the transmission to the transfer case. We classify this transfer case as a *small hole* transfer case. This small hole transfer case will require a bearing when you adapt to this transfer case. In addition to this bearing, our adapter will also require a thin bearing support retainer. This support retainer is necessary to align our adapter to the transfer case. This support retainer can be purchased from us or be obtained off of a stock T90 transmission.



Small Hole transfer case (3-1/8")



Large Hole transfer case (4")

All other Jeep transmissions were indexed to the transfer case by either a retainer housing or an index hub which was part of the stock transmission case. These transfer cases are classified as *large hole* transfer cases. Our adapters will require this indexing retainer to obtain proper alignment. This retainer can be purchased from us or you can also use a retainer from a Jeep T86 transmission. All large hole transfer cases require this retainer. (Scout Dana 300s are also a large hole transfer case). When utilizing either one of these retainers, we also recommend that a new 307 sealed bearing be used.



Small Hole T90



Large Hole T86

- P/N 716002 - Small hole index retainer (T90) Dana 18
- P/N 716001 - Large hole index retainer (T86) Dana 20
- P/N 716302 - Sealed bearing (307)

Both retainers can also be purchased through a Jeep dealership and the sealed bearing through a local bearing supplier.



**SPLINES:** These transfer cases all require a male shaft to extend from the rear of the stock transmission or the new adapter housing. The transmission output shaft fits into the drive gear of the transfer case. Jeep standardized most drive gears with a 6 tooth female spline; however, there were some exceptions. Between the years 1969 to 1971, Jeeps equipped with a T14 transmission used a 10 spline female drive gear; and Scout transfer cases used with an automatic were always a 23 spline female drive gear. *(Note: On Scouts, we recommend that you verify your input spline count before ordering parts.)* Jeeps that were equipped with an AMC TH400 used a 15 tooth female drive gear. We manufacture transfer case adapters to fit most of the different splines that Jeep used. The transfer case adapter selection chart on Pages 24 & 25 will help you to identify the proper adapter for your transfer case. If for some reason we do not offer the adapter for your female spline count, you can change out the transfer case drive gear. Please check with a qualified transfer case rebuilder when changing your drive gear, since there were some external gear tooth differences.



Four different female spline transfer case drive gears



Power flow of a Dana 20 (left) & Dana 18 (right)

**FRONT DRIVESHAFT CLEARANCE:** On most vehicles, we have tried to allow for proper clearance. However, we are unable to compensate for this with some automatic transmissions. These applications will require the centerline of the drivetrain to be offset 1" to the driver's side and you will be limited on your driveshaft diameter. On some 1965 and earlier Jeeps, the front yoke can also present some interference problems on both the automatic & manual transmissions. If the front yoke is interfering, than we do offer a small front yoke replacement kit, [P/N 716009](#).

**TRANSFER CASE SHIFTERS:** The 1941 to 1979 transfer cases use several designs of shifters. These shifters are always supported off the front of the stock transfer case. On some of the truck 4 speed adapters and the NV4500 adapters, you may need to modify your stock shifter. The instruction sheets provided with the kits will give you this information.

**CROSSMEMBER SUPPORT:** All of the adapters we manufacture offer a support pad machined on the casting. The location of this pad will normally require you to relocate your crossmember on your frame rails. We offer a few options to aid you in this area.

- [P/N 716003](#) - New rubber support (Jeeps 1941-79) *(photo right)*
- [P/N 716021](#) - New rubber support (Jeeps 1972-79)
- [P/N 716017](#) - Aluminum adapter block (used to help retain your stock rubber support)



## JEEP DANA 20, 32 SPLINE OUTPUT SHAFT KIT:



The Dana 20 transfer case is a good, strong cast iron transfer case; however, with the introduction of the various low gear options for this unit and the popularity of rock crawling, a growing concern for drivetrain reliability has materialized. Since low gear kits increase the torque to the output shaft and rock crawling usually demands tire size, we've developed a heavy-duty rear output shaft kit for the Dana 20 transfer case to add strength and reliability to your drivetrain. Our kit fits all Dana 20 transfer cases with or without a low gear kit installed. The stock Dana 20 output shaft is a 1-1/8" diameter 10 spline, and our new output shaft is a larger 1-3/8" diameter 32 spline output. The output shaft kit is approximately 1.5" longer than your stock tailhousing; however, you do gain the option of calibrating your speedometer to compensate for a different axle ratio and/or larger tires. Our kits come complete with a new tailhousing, output shaft, tapered roller bearings, yoke, and speedometer drive. When you require strength and reliability, install the

Advance Adapters H.D. Dana 20 output shaft kit.

- [P/N 50-3020](#) - Heavy duty 32 spline Dana 20 output shaft with 1310 non C.V. yoke.
- [P/N 50-3020A](#) - Heavy duty 32 spline Dana 20 output shaft without a yoke (See yoke options listed on Page 17).

## JEEP DANA 18/20 INTERMEDIATE GEAR KIT:

These kits are available for Jeep transfer cases 1946-53 (with an 1-1/8" intermediate shaft), or Jeeps 1953-79 (1-1/4") to fit the stock cluster gear. These kits use tapered roller bearings and a new shaft that aid in the noise reduction of your stock transfer case. Machining is required on your cluster gear.

- [P/N 716005](#) - 1-1/4" Kit
- [P/N 716006](#) - 1-1/8" Kit



**WINDSHIELD LATCHES:** The CJ5 & CJ6 Jeep vehicles (up to 1978) always had a problem with the stock windshield. The stock latches had a tendency of loosening up and allowing the windshield to fall forward.

We remedied this problem by designing aluminum castings that would replace the stock dash & windshield brackets. This kit is available with a polished aluminum finish and is directly interchangeable with your stock latching mechanism. [Part # 716127](#)

## JEEP DANA 18 GEAR KNOBS KIT:

We offer replacement knobs for the Dana 18 twin stick transfer case. [P/N 715643](#)



**DANA 18/20 3.15:1 LOW GEAR SETS:** Kits are available for both the Dana 18 and Dana 20 transfer cases. These kits are shipped complete with the necessary hardware and gaskets to obtain the 3.15:1 low gear ratio.

The **Dana 20** kit fits transfer cases 1963 to 1979 in CJs, Jeepsters, Jeep trucks, Wagoneers, and 1972 to 1979 Scouts. This is a 5-gear low range kit replacing the stock 2.03:1 gears. A slight amount of internal case grinding is necessary.



*P/N 420315 Dana 20 kit \$939.54*



The **Dana 18** kit fits large hole transfer cases only (refer to Page 5). This 4-gear kit requires the shortening of the shift rod for intermediate gear clearance. A slight amount of internal case grinding may be necessary. CJs 1965 and older will require the use of a case from either a 1966 to 1971 CJ, 1963 to 1979 Wagoneer/pickup (Dana 20), or a 1972 to 1979 CJ (Dana 20). If a Dana 20 T/C is to be used with the Dana 18 components, you will still be able to retain your stock driveshaft offset. For Warn and Saturn O.D. owners, we offer a complete gear set to retain your overdrive using the 3.15:1 low gears, **P/N 418315OD**. We also offer just the Saturn Overdrive bowl gear if you have already obtained you low gear set, **P/N 911098**.

*P/N 418315 Dana 18 kit \$822.69*  
*P/N 418315OD Dana 18 kit \$785.00 (for Saturn & Warn Overdrives)*

## SATURN Overdrive

This all-range overdrive is a great addition to any of the early model Jeeps from 1940 to 1971, and I.H. Scouts 1961-65 with the Model 18 transfer case. The addition of this 25% overdrive unit offers you the needed gearing that the early Jeeps were lacking. The Saturn overdrive is a fully synchronized unit that can be shifted-on-the-fly. When installing the unit, only minor modifications are required to the floorboard for the shifter. The Saturn is built to handle up to 300 ft.-lbs. of torque, well within the range of a stock V8. *If you are interested in a lower gear set for your Dana 18 transfer case, but would like to retain your overdrive, we offer a Saturn bowl gear that will work with the gear reduction kits currently on the market. If a low gear set is purchased, we have available a Saturn overdrive less the bowl gear.*

The Saturn is the original unit designed and developed by Warn Industries. Advance Adapters purchased the tooling, engineering data, and inventory from Warn in 1991. The components we manufacture today are the same as the old Warn components. We have incorporated a few upgrades on the units we sell today, but these units are all still interchangeable with the original Warn overdrive. (Note: The Saturn is not compatible with the Husky unit.)

### APPLICATION INFORMATION:

To select the proper overdrive model, find your vehicle model and transmission type listed below. The Saturn overdrive will only fit the vehicles listed that have a Dana 18 transfer case.

Part #	Description	Vehicle Models
<b>915670</b>	26T x 6 spline	M38, M38-A1, CJ2A, CJ3A, some CJ3B, 4-63 4X4, 4-73 4X4
<b>915672</b>	29T x 6 spline	CJ5, CJ5A, CJ6, CJ6A, 4-74 4X4, some CJ3B, 6-266, 6-230
<b>915674</b>	29T X 10 spline	(T14 trans) CJ5, CJ5A, CJ6, CJ6A
<b>915678</b>	27T X 6 spline	
<b>915676</b>	31T X 10 spline	(Mitsubishi Jeep only)
<b>915677</b>	6 spline overdrive (minus the bowl gear)	designed for the Tera Low & Jack O'Brien low gear sets. (\$738.71)

*UNIT PRICE \$1009.46*

**SHIFTER APPLICATION:** Shifters are sold separately.

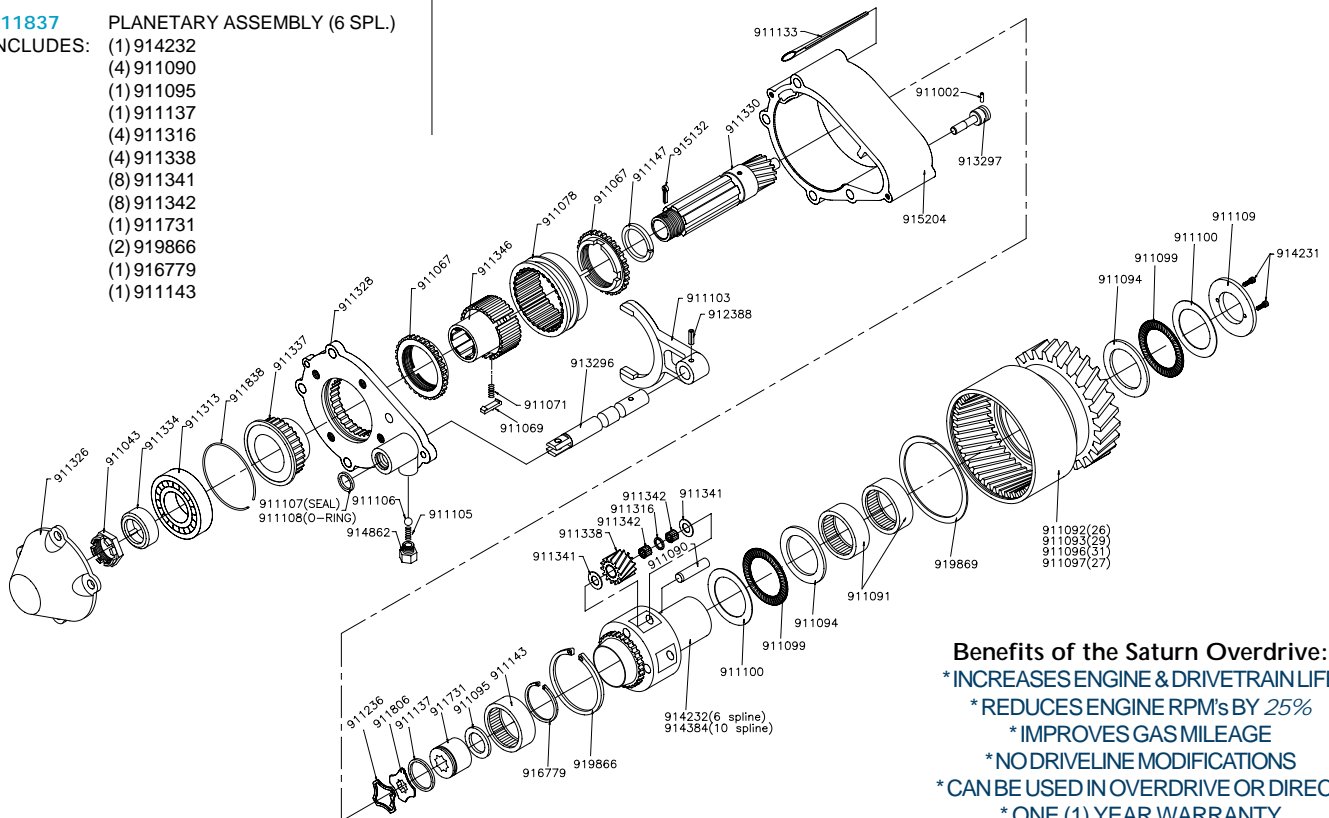
Part #	Description	SHIFTER PRICE
<b>920000</b>	T90 Dual Handle T/C	<b>\$78.41</b>
<b>920001</b>	T90 Single Handle T/C	
<b>920003</b>	Universal Saturn Shifter	
<b>920013</b>	T14 Shifter	

The complete installation instructions and parts are listed online at [www.advanceadapters.com](http://www.advanceadapters.com) under the Tech Vault.

## COMPONENT ASSEMBLY KITS

<b>911349</b>	SEAL AND GASKET KIT KIT INCLUDES ALL GASKET SEALS & SEAL WASHERS
<b>912821</b>	THRUST BEARING KIT KIT INCLUDES: (2) 911099 (2) 911094 (2) 911100
<b>918963</b>	4-PC PLANETARY GEAR SETS KIT INCLUDES: (8) 911341 (8) 911342 (4) 911316 (4) 911090 (4) 911338
<b>911362</b>	SPLINED SHAFT KIT KIT INCLUDES: (1) 911043 (1) 915132 (1) 911143 (1) 911147 (1) 911330
<b>911317</b>	SYNCHRO RING SERVICE KIT KIT INCLUDES: (2) 911067 (3) 911069 (3) 911071
<b>911318</b>	SYNCHRO ASSEMBLY KIT KIT INCLUDES: (2) 911067 (3) 911069 (3) 911071 (1) 911078 (1) 911346
<b>911223</b>	26 TOOTH PLANETARY HSG. KIT KIT INCLUDES: (1) 911092 (2) 911091 (1) 919869
<b>911224</b>	29 TOOTH PLANETARY HSG. KIT KIT INCLUDES: (1) 911093 (2) 911091 (1) 919869
<b>911837</b>	PLANETARY ASSEMBLY (6 SPL.) INCLUDES: (1) 914232 (4) 911090 (1) 911095 (1) 911137 (4) 911316 (4) 911338 (8) 911341 (8) 911342 (1) 911731 (2) 919866 (1) 916779 (1) 911143

PART NO.	QTY REQ.	DESCRIPTION	PART NO.	QTY	DESCRIPTION
911043	1	HEX NUT	911731	1	DRIVE NUT
911067	2	BRASS SYNCHRO-RING	911731-S	1	METRIC DRIVE NUT
911069	3	SYNCHRO DOG	911806	1	LOCKWASHER
911071	3	SYNCHRO SPRING	911838	1	RETAINER RING
911078	1	SHIFTER SLIDER RING	912388	1	ROLL PIN
911088	1	O'BRIAN'S BOWL GEAR	913296	1	SHIFTER SHAFT
911090	4	PIN, PLANETARY GEAR	913297	1	SHIFTER GUIDE PIN
911091	2	NEEDLE BEARING	914231	2	SCREWS 6-32 X 1/4
911092	1	26-TOOTHGEAR	914232	1	PLANET HUB -6 SPL
911093	1	29-TOOTHGEAR	914384	1	PLANET HUB -10 SPL
911094	2	THRUST RACE	914384-S	1	PLANET HUB 10 SPL
911095	1	THRUST WASHER	914862	1	CAP SHIFTER
911096	1	31-TOOTH GEAR	915132	1	COTTER PIN
911097	1	27-TOOTHGEAR	915204	1	SATURN CASE
911098	1	TERA LOW BOWL GEAR	916779	1	SNAP RING
911099	2	NEEDLE BEARING	919866	1	RETAINING RING
911100	2	THRUST WASHER	919869	1	RING OIL SLINGER
911103	1	SHIFTER FORK			
911105	1	SPRING, SHIFT DETENT			
911106	1	SHIFT DETENT BALL			
911107	1	SHIFT RAIL SEAL NEW STYLE			
911108	1	SHIFT RAIL O-RING SEAL			
911109	1	SPACER WASHER			
911130	1	GASKETCASE			
911131	1	GASKET BODY			
911133	1	OIL SCOOP			
911137	1	O-RING			
911143	1	NEEDLE BEARING			
911147	2	RETAINER RING SUN GEAR BEARING			
911236	1	SPECIAL SNAP RING			
911313	1	ROLLER BEARING			
911316	4	THRUST WASHER			
911326	1	BEARING CAP			
911328	1	CASE COVER			
911330	1	6 SPLINE SHAFT			
911334	1	SPACER WASHER			
911336	1	GASKET CAP			
911337	1	STATIONARY MEMBER			
911338	4	14-TOOTH GEAR			
911341	8	THRUST WASHER			
911342	8	NEEDLE BEARING STRIP			
911346	1	DRIVE MEMBER			



**Benefits of the Saturn Overdrive:**

- \* INCREASES ENGINE & DRIVETRAIN LIFE
- \* REDUCES ENGINE RPM's BY 25%
- \* IMPROVES GAS MILEAGE
- \* NO DRIVELINE MODIFICATIONS
- \* CAN BE USED IN OVERDRIVE OR DIRECT
- \* ONE (1) YEAR WARRANTY



## 1980-86 JEEPS (Dana 300):

In 1980, the transfer case in Jeep vehicles changed to the Dana 300 transfer case. This was a good improvement over the Dana 20, and it seems to handle V8 horsepower without any problems. We manufacture several adapters that will bolt different transmissions to this stock transfer case. These adapters are manufactured to fit a 23 spline input sleeve in Dana 300 transfer cases. These adapters should be used when replacing the SR4, T4, T5, T176, and Torqueflite transmissions.



All Jeep Dana 300s are a right-hand drop. They have a circular bolt pattern, 23 tooth input spline, case length of 12", and main case material of cast iron. The transfer case uses an aluminum retainer that indexes this transfer case to the transmission. The stock low gear ratio is 2.62:1. The power to the rear axle is in line with the transmission. This is a good gear-driven transfer case to retain when doing an engine or transmission swap.

Jeep Dana 300s all use a 23 spline input. We manufacture various Dana 300 input shafts which include 10, 21, 23 (stock replacement), long 23 (.750" longer than stock engagement), 27, 29, 31, 32, and 35 splines. Therefore, if you obtained a Dana 300 from a salvage yard, please verify the input spline. The aluminum index retainer incorporates a front seal to protect the transfer case fluid from entering the transmission. The Dana 300 has a stock rotation of approximately 35 degrees. All of the adapters we manufacture for this transfer case have the provisions for this rotation.

### DANA 300 INPUT SHAFT:

- P/N 52-0203 - 35 spline Dana 300 input
- P/N 52-0208 - 32 spline Dana 300 input
- P/N 52-0229 - 29 spline Dana 300 input
- P/N 52-2910 - 31 spline Dana 300 input
- P/N 52-3001 - 23 spline Dana 300 input Stock replacement
- P/N 52-3002 - 23 spline Dana 300 input .750" longer
- P/N 52-3021 - 21 spline Dana 300 input
- P/N 52-6309 - 27 spline Dana 300 input
- P/N 52-9810 - 10 spline Dana 300 input



### DANA 300 OUTPUT SHAFT KITS:

About the only weakness we've seen on the Dana 300 is the output shaft. The stock Dana 300 output shaft is a 1-1/8" diameter, 26 spline. We now offer a new, larger 1-3/8" diameter 32 spline output shaft for this transfer case. The Dana 300 has two different stock tailhousing lengths (approximately 4.25" "long tail" and 3.25" "short tail"). The bolt patterns on these two tail housings are different when bolting to the Dana 300 case.

We offer kits to fit both lengths of the Dana 300 transfer case tail housings. Dana 300s equipped with the shorter 3.5" version tailhousing will require driveshaft modifications, since our kit is 1.5" longer than your stock. Kits come complete with a new tailhousing, output shaft, taper roller bearings, and yoke.

If you require strength and reliability, the Advance Adapters H.D. Dana 300 output shaft kit is a must have.

### DANA 300 LONG TAILHOUSING OUTPUT SHAFT KITS:

- P/N 50-3032 - Heavy duty 32 spline Dana 300 output shaft with 1310 non C.V. yoke.
- P/N 50-3032A - Heavy duty 32 spline Dana 300 output shaft without a yoke (See yoke options listed on Page 17)
- P/N 50-3033 - Heavy duty 32 spline Dana 300 output shaft with 1310 C.V. yoke.



### DANA 300 SHORT TAILHOUSING OUTPUT SHAFT KITS:

- P/N 50-3034 - Heavy duty 32 spline Dana 300 short output shaft with 1310 non C.V. yoke.
- P/N 50-3034A - Heavy duty 32 spline Dana 300 short output shaft without a yoke (See yoke options listed on Page 17)

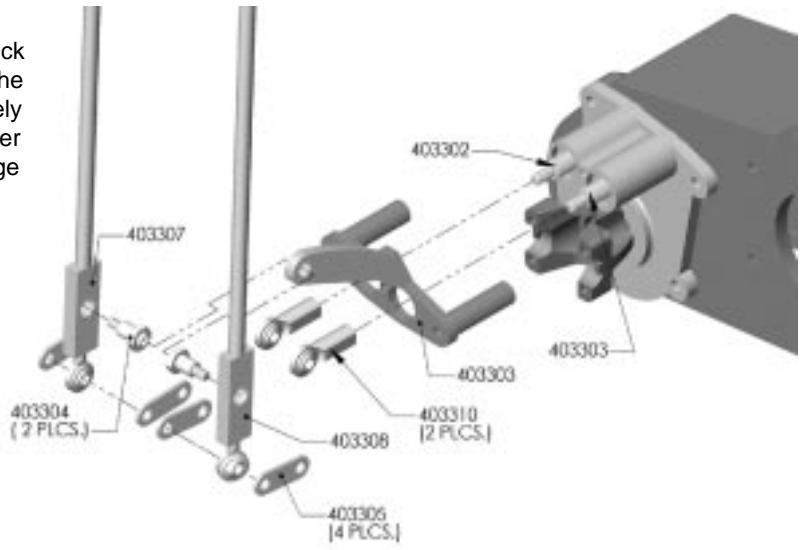
(The short tailhousing kits also include a new speedometer drive that now can be simply calibrated for tire or axle changes with a new speedometer gear.)

**TRANSFER CASE TWIN STICK SHIFTERS:**

Another option for the Dana 300 transfer case is a twin stick shifter. This twin stick shifter application requires the installation of two new shift rails. This kit is a securely mounted assembly off of the stock aluminum shifter housing. The new shifter rod allows a heim joint linkage for a smooth, positive shifter motion.

**P/N 403300** - Twin Stick kit  
(Kit includes new shift rails and shifter boot included)

**P/N 403330** - Aluminum Knobs  
(Black anodized knobs for the twin stick kit)



**TRANSFER CASE STOCK SHIFTERS:**

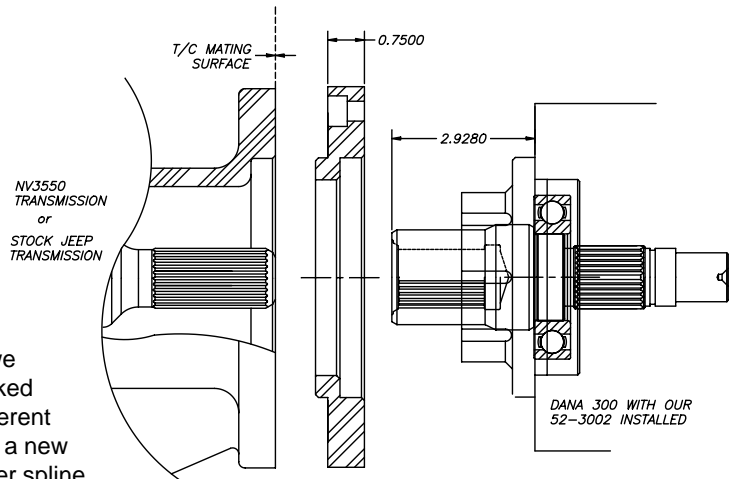
Dana 300 shifters are always supported off the front of the stock transfer case. On some of the truck 4 speed and NV4500 adapters, the shifter support and pivot shaft may need to be modified to fit these transmissions. Most applications will not require any modifications.

**DANA 300 REBUILT KITS:**

We offer complete rebuild kits for the Dana 300 transfer case. Our kit comes complete with bearings, seals, shift fork pads, and intermediate shaft. This kit, **P/N 400300R**, is ideal when installing one of our new 32 spline output shaft kits.

**DANA 300 ROTATION KIT:**

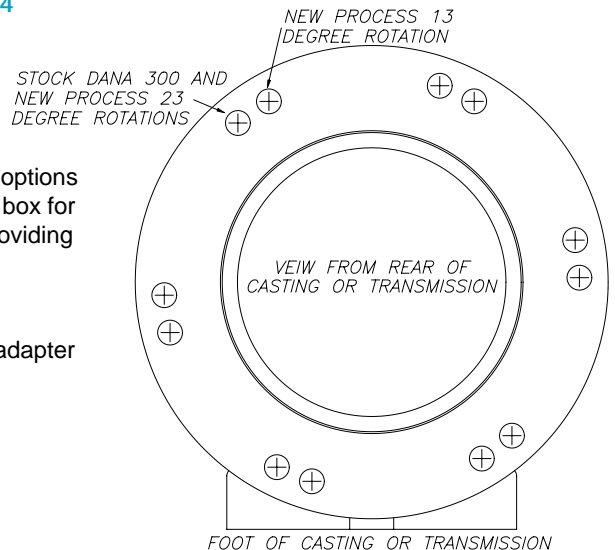
Since ground clearance is a concern for most vehicles, we have developed a rotation kit to allow the Dana 300 to be clocked at a higher than stock rotation. Our kit allows up to three different rotations than stock. The adapter is .750" thick and includes a new longer input shaft for the Dana 300. Our kit retains the proper spline engagement and proper indexing for the Dana 300 transfer case. Floorboard and shifter modifications may be required. **P/N 50-8604**



**DANA 300 LOW GEAR OPTIONS:**

Most 4WD vehicle owners today are always looking for a lower gear advantage. We carry 4.0:1 low gear sets from Tera Low. These gear options are a 5 piece set and easy to install. We also offer a NP203 reduction box for the Dana 300. This kit bolts a NP203 gear box in front of the Dana 300 providing a 2.0:1 reduction. A twin stick shifter is required with this kit.

**P/N 430000** - Tera Low Jeep Dana 300 gears  
**P/N 50-8811** - Dana 300 to NP203 reduction box adapter



**TRANSMISSION / TRANSFER CASE SUPPORT PLATE:**

All of the adapters we manufacture offer a support pad machined on the casting. In most cases, this pad will not line up with your original skid plate mounting slots. If you are planning to reuse your stock rubber support or one of our new supports, we suggest that you retain your skid plate in the stock location and add two new holes to your skid plate to fasten the rubber support. The numbers below can be used to fasten our adapter to your stock skid plate.

**P/N 716021** - New rubber support (Jeeps 1980-86)

**P/N 716017** - Aluminum adapter block (used to help retain your stock rubber support)

Some vehicle applications may require a spacer between the adapter crossmember foot and the rubber mount. This is to provide ample clearance between the transmission and the skid pan. We offer a 2" spacer that works well. Since all applications differ, it's hard to recommend when this additional mount is needed.

**P/N 716048** - 2.0" spacer between adapter foot and crossmember

**FRONT DRIVESHAFT CLEARANCE:**

On most vehicles, we have tried to allow for proper clearance. However, we are unable to allow for this with some automatic transmissions. These applications will require the centerline of the drivetrain to be offset 1" to the driver's side, and you will be limited on your driveshaft diameter.



P/N 716021



Stock rubber mount



P/N 716017



P/N 716021 and P/N 716048



713089 bolt-in mounts with engine off-set

# 1987 & Up JEEPS

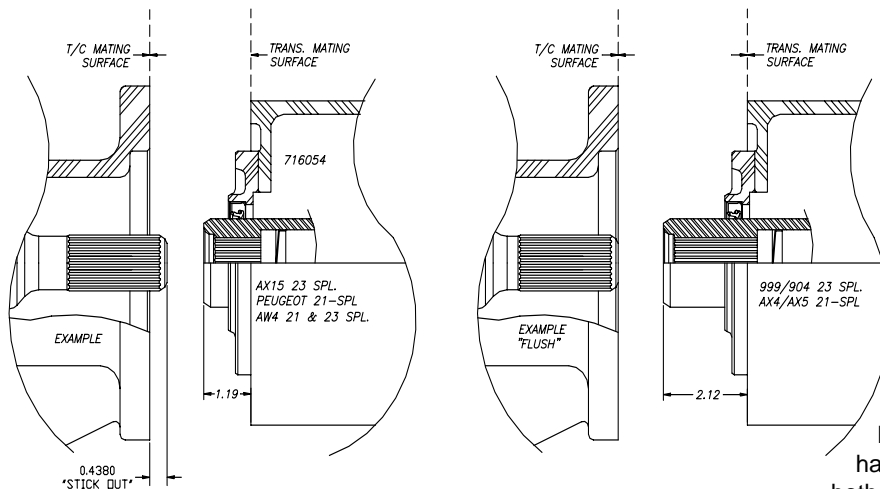
## (NP200 Series Transfer Cases):

The New Process transfer cases used in late model Jeeps are always a left-hand drop configuration and have the same circular bolt pattern as the Dana 300. One of the differences between the Dana 300 and New Process transfer case is the rotation. The stock rotation on the New Process transfer case depends on the year of the vehicle and the stock transmission used. The rotations are approximately 13 or 23 degrees. Most of our adapter housings will have both sets of six adapter-to-transfer case mounting holes. The illustration (on previous page) shows both rotations.

The input splines on these transfer cases vary from 21 to 23 splines, and the transmission that is mated to these transfer cases had either a long or flush output shaft length. *It is crucial that you identify the correct spline length and tooth count before ordering any adapters.*

There are numerous styles of New Process transfer cases and you must be very careful in making your identification of such. The first units were the NP207s, and they were used in the early model Cherokee Jeeps. The full size Jeep trucks and Grand Wagoneers used the NP208. Jeep soon added the NP231 which replaced the Model 207 in 1987. A Model NP242 was also added for the full time 4WD models.

**SPLINES:** With all of the variations in model numbers, the only variation that we see concerning transmission adaption is the size and tooth count of the transfer case input spline. As mentioned in the second paragraph, the New Process transfer case has two basic spline counts and each spline count has two different lengths. Most New Process transfer cases were available with these two different input splines. The input splines of the transfer case can be changed if necessary, but the complete transfer case will need disassembly.



The easiest way that we have found to identify the proper transfer case input is by identifying the stock transmission that Jeep used. The 21 and 23 spline output shafts vary on different transmission models. The AX15 transmission is always 23 spline and protrudes 1/2" beyond the face of the transmission. The Torqueflite and NV3550 are normally a flush 23 spline. The AX4 & AX5 always have 21 splines and is flush with the back of the transmission adapter until 1996; and then in 1997, was the same as the Peugeot. The Peugeot transmission is always 21 splines and protrudes 1/2" beyond the back of the transmission adapter housing. We have seen the AW4 automatic transmission in both a long 21 & 23 spline.

On the Transfer Case Selection Chart, we have listed the stock Jeep transmissions used with each transfer case. You can also refer to the Stock Jeep Transmission & Bellhousing section for additional transmission identifications. If you have a 21 spline transfer case, you will notice that some transmission applications are not available. On these applications and on high horsepower applications, we recommend changing your input gear to a 23 spline. This will allow you to use the transmissions listed for the 23 spline applications and will also give you added strength.

**P/N 716053A** - New Process T/C 23TH input (used for *flush* output shaft stickout on transmission)

**P/N 716054A** - New Process T/C 23TH input (used for *long* output shaft stickout on transmission)

On Jeeps 1995 & newer, New Process used a different planetary assembly. The two part numbers previously listed will not work with these transfer case. To the best of our knowledge, this transfer case can be identified by one of three case model numbers: 52097-894, 52098-361 & 52098-540. If you have one of these model transfer cases and wish to change to a 23 spline input, the input gear required is **P/N 716095**.

The gears listed above will not work with the NP207 transfer case. If you have a 1987 Jeep equipped with the NP207 21 spline input gear and wish to add some strength to your drivetrain, you can purchase a new 23 spline input gear (**P/N 716096**). This new input gear was designed for transmissions with a flush output shaft stickout. Transmissions having a .500" stickout past the adapter housing will require the input gear length to be modified.



**DRIVESHAFT CLEARANCE:** When converting to a new transmission, driveshaft modifications are normally necessary. Jeeps with the NP231 now have the advantage of gaining needed length for suspension travel. We offer a new short shaft "Fixed Yoke" kit that will add 4" of rear driveshaft length on a YJ, and up to 6" on a TJ. Regarding front driveshaft clearance, this is not usually a problem. Care should be given on some manual transmissions with reference to the clutch release arm and slave cylinder mounting.

**TRANSMISSION/TRANSFER CASE SUPPORT PLATE:** All of the adapters we manufacture offer a support pad machined on the casting. In most cases, this pad will not line up with your original skid plate mounting slots. If you are planning to reuse your stock rubber support or one of our new supports, we suggest that you retain your skid plate in the stock location and add two new holes to your skid plate to fasten the rubber support. The supports below can be used to fasten our adapter to your stock skid plate.

- P/N 716008** - New rubber support (Jeeps 1987 & Up)
- P/N 716017** - Aluminum adapter block (used to help retain your stock rubber support)
- P/N 716021** - New rubber support (used in conjunction with 713087 saddle mount & auto transmission)



Some vehicle applications may require a spacer between the adapter crossmember foot and the rubber mount. This is to provide ample clearance between the transmission and the skid pan. We offer a 2" spacer that works well. Since all applications differ, it's hard to determine or recommend when this additional mount is needed. **P/N 716048**

**TRANSFER CASE SHIFTERS:** There are several configurations used on the New Process transfer cases. We manufacture several brackets to assist you in retaining your stock shifter; however, some applications are not available. You may be required to fabricate your own brackets to work with our adapters. The stock brackets pictured below are the most common brackets we've found on New Process series transfer cases. Some of these brackets were used in specific applications, while others were interchanged. The photos below will help you identify the stock linkage your vehicle may have. This will assist you as to whether or not we offer additional brackets to mount your linkage.



**(Brkt. #1)**

Jeep# 53004280

This bracket bolts the adapter to the transfer case flange and is the most universal of the 4 brackets. If you are having trouble mounting your transfer case linkage, obtain this bracket to simplify your installation. No additional brackets are necessary. This bracket is sometimes hard to find. Our **Part No. 715545** is the same as this bracket



**(Brkt. #2)**

Jeep# 53005371

This bracket is normally found on Jeep AX15 transmissions.



**(Brkt. #3)**

Jeep# 53004278

This bracket is normally used with the AX4 & AX5 transmission.



**(Brkt. #4)**

This bracket (used mostly in TJs and some Cherokees) is by far, the hardest linkage to retain when doing any type of conversion. The outside of the bracket is bolted to the frame rail or floorboards, thus causing difficulty adjusting for different transmission lengths.

We offer assistance on mounting some of the above stock transfer case shifters. If we do not offer a bracket for your application, we suggest that you purchase Bracket #1. The part numbers listed below refer to the stock bracket referencing numbers.

AA Part #	Fits AA Casting # or Application	Fits Stock Bracket #
<b>715523</b>	50-6300, 6800, 9100 kit series	Brkt. #2 & 3
<b>715531</b>	50-0212, 0204 (NV4500 adapters)	Brkt. #2 & 3
<b>715538</b>	50-3900 kit series	Brkt. #2 & 3
<b>715542</b>	TJ with 13 degree T/C rotation	Brkt. #4
<b>715545</b>	NV3550 to early NP transfer case	New Brkt.

When replacing the stock transmission on Cherokee vehicles, some fabrication on the transfer case linkage will be required.



P/N 715523



P/N 715542



P/N 715545

## Jeep TJ DELUXE Cable Linkage

Our Deluxe Cable Shifter alleviates the problematic shifting mechanism of the Jeep TJ Transfer cases. This heavy duty shifter was designed to correct the binding, hard shifts, and slipping-out-of-gear that is inherent when lifting a Jeep TJ or altering the drivetrain components. The kit replaces the body mounted mechanical system with a robust cable actuated design that creates a crisp and carefree transfer case shifting experience.

**P/N 715543-231** Jeep TJ cable shifter for NP231 transfer cases  
**P/N 715543-241** Jeep TJ cable shifter for NP241 transfer cases



Jeep TJ Cable Shifter Kit  
 (Installation video available Online)

## JK Cable Linkage:

This new heavy duty design was created for the off roader who is consistently shifting the transfer case in and out of its various ranges. The improved cable and mounting system offers both a durable and dependable system that removes the easily worn out or broken factory shifting system. **P/N 715596**



Jeep JK Cable Shifter Kit  
 (Installation video available Online)



## Jeep NP231 Fixed Yoke Kit

**Kit 50-7906 (Driveshaft modifications required) CALL FOR PRICING!**

The Jeep NP231 is one of the most commonly used transfer cases today. It is a chain-driven, planetary designed gear box with a low ratio of 2.72 to 1. For the average 4-wheeler, this is a good transfer case. One of the biggest faults of this transfer case is the overall length. At 20+ inches, this creates an extremely short rear driveshaft in the Jeep YJ & TJ Wranglers. This short rear driveline becomes even more crucial when the vehicle is lifted or a transmission swap is performed. In addition, when a lift kit is installed, larger tires are usually the next upgrade. Strength and driveline angle of the output shaft then becomes a concern.



To make the NP231 better suited for these upgrades, we have designed our "Fixed Yoke" kit with the best features available. We manufacture a new one-piece tailhousing that will add 3-1/2" to 4" to your rear driveline length on a YJ, and up to 6" on a TJ. This will allow you to obtain a better driveshaft angle and eliminate driveline vibrations. We also manufacture a new 32 spline output shaft that is over 50% stronger than stock. This kit, along with a new 1310 series C.V. yoke, makes the NP231 a better transfer case for trail use. A full set of installation instructions is provided to assist in the installation of this kit.



If you're looking for a non C.V. yoke or a flanged yoke option, kit **P/N 50-7907** allows for these options. This kit can be ordered with a 1310 or 1350 non C.V. yoke, or a flange yoke can be added (See yoke options listed on Page 17).

*We also offer S.Y.E kits with a Tom Woods Custom Drive Shaft.  
 CALL FOR PRICING!*

(The NP231 is a good chain-driven transfer case. For the ultimate in strength, reliability, and low gear ratio, the gear-driven "Atlas" transfer case is the superior choice.

# THE ATLAS TRANSFER CASE

The Advance Adapters Atlas gear-driven transfer cases are the ultimate in gearing and strength. These units are the solution for combining both on and offroad performance. From its inception in 1996, we have numerous inquires to fit the Atlas into a wide spectrum of vehicles. Today the Atlas is being installed into a multitude of different vehicles such as Jeeps, Broncos, Explorers, Dodge, Chevy & Ford Trucks. These units can be found in daily driven vehicles, all the way up to the extreme rock crawling vehicles. When you want or need peace of mind on the trail, in the rocks, on the sand, or in the mud, the Atlas is the transfer case for you.

The Atlas 2 speed is 2-1/2" shorter than a NP231 with a fixed yoke conversion kit. Applications with a NP231 will have to lengthen the rear driveshaft and shorten the front driveshaft. Applications with a Dana 300 transfer case or Bronco Dana 20 will have to shorten the rear driveshaft and lengthen the front driveshaft. Most applications will require crossmember modifications.

*(2SP) Atlas, 13.8" & Atlas (with AST32 short tailhousing), 11.8"*

The Atlas 4 speed is 1-3/4" shorter (STD tailhousing) 3-3/4" shorter (short tailhousing) than a standard NP231 transfer case. Applications with a NP231 will have to lengthen the rear driveshaft and shorten the front driveshaft. Applications with a Dana 300 transfer case or Bronco Dana 20 will have to shorten the rear driveshaft and lengthen the front driveshaft. The Atlas 4 speed offers you the ultimate multiple-use vehicle, The several low gearing options allow you to gear your rig for the daily driver as well as the extreme rock crawler.

*(4SP) Atlas, 18.75" & Atlas (with A4ST32 short tailhousing), 16.75"*

## *Stock transfer case lengths:*

NP 231 Series, 20-1/2"  
NP Rock Trac T/C, 15-1/4"  
Dana 300, 12"

## Design of the Atlas:

Through the analysis of other successful transfer case designs, we have manufactured a rugged, all gear-driven transfer case. Combining the latest in CAD/CAM technology and years of in-house CNC machining capabilities, the Atlas transfer case is sure to bring you the utmost in dependability and performance.

The Atlas is available for both left and right hand vehicle applications with centered rear differentials. The solid, one-piece case design is manufactured from 356-T6 heat-treated aluminum alloy. This material is also used for the structural access cover and all other exterior components. The massive gears are helical cut and synchro-equipped for quiet performance and "shift-on-the-fly" capability. These gears are supported by needle bearing elements, precision matched to strong 8620 shafts. The ruggedly designed output shafts are amply supported by large taper roller bearings. The Atlas also features a unique twin stick shifter. This shifting mechanism offers you the availability to engage the rear axle or front axle independently in low gear. The shifter is also design to deliver crisp and quiet operation.

With any of the Atlas ratios equipped in your 4WD, you have the opportunity to select a sensible ring and pinion gear ratio for great street performance. Combined with a low-geared crawl ratio of your choice, your vehicle will have the ultimate combination. This allows you to compete with the most well-equipped offroad vehicle, but then cruise comfortably down paved roads. If you are serious about on and offroad performance and dependability, then demand one of the Advance Adapters Atlas transfer cases.

## FEATURES

- ✓ Helical Cut Gears
- ✓ Gear Driven
- ✓ Full Complement of Bearings
- ✓ Solid One Piece Case Design utilizing 356-T6
- ✓ Synchronized Shifting
- ✓ Large Rear Output Shaft
- ✓ O.E.M. Speedometer Gear
- ✓ Twin Stick for enhanced Offroad Capabilities
- ✓ Shorter than the NP231
- ✓ Complete Unit

## BENEFITS

- = ✓ Stronger and Quieter than Reduction Planetaries
- = ✓ No Chain Stretch
- = ✓ No Direct Shaft-to-Bore contact for Strength & Efficiency
- = ✓ Stronger than Two Piece, Split Case Design
- = ✓ Shift-on-the-Fly capability
- = ✓ Non-twisting and bulletproof
- = ✓ Easy connection to existing components
- = ✓ Enabling not only 4WD Low but also Front or Rear WD Low Capability
- = ✓ Providing 6" longer driveline for vehicles 1987-05 with suspension lifts
- = ✓ These units are a Fully-assembled "Ready-To-Be-Installed" transfer case. There is no Retrofitting or machining for gear sets into your old transfer case, using old parts.



*ATLAS 2 SPEED: Includes a twin stick Atlas shifter, Oil, and Site tube kit.*

*ATLAS 4 SPEED:  
Includes a twin stick Atlas shifter,  
Planetary shifter, Oil & Site tube kit.*



## ORDERING YOUR ATLAS:

Each Atlas transfer case is custom built for your vehicle requirements. All Atlas orders consist of several subassemblies that makes your transfer case unique to your vehicle. There are also several optional items that can be added to the Atlas while the unit is being built.

The Atlas part numbers are generated by the gear ratio, input spline, case options, tailhousing configuration, front output size, yokes, and twin stick shifter options. First, select the desired gear ratio, input spline and case drop.



### ATLAS 2 SPEEDS

Atlas20 Atlas30 Atlas38  
Atlas43 Atlas50

### ATLAS 4 SPEEDS

Atlas4-20 Atlas4-30  
Atlas4-38 Atlas4-43

**Atlas Input Spline Options:** (Atlas 2 speed inputs: 10, 21, 23, 25, 26 (2012 JK), 27, 28, 29, 31, 32, 34, 35)  
(Atlas 4 speed inputs: 21, 23, 27, 29, 31, 32, 34).

**Atlas Front Output Drop Options:** Left (driver's side) or Right (passenger side)

### Atlas Case Rotation Options:

When coupling an Atlas to one of the various stock transmissions or to one of our adapter housings, you have a number of choices as to the degree of rotations. The standard 2 speed case does not offer you a zero degree (or flat) rotation. We can offer this option in either a right and left hand case application, but this option requires us to machine the case with a different front bolt pattern for the Atlas input ring. This case option should only be used if your goal is a flat rotation and you must specify this at the time of ordering. The Atlas 4 speed does allow an extra bolt pattern to be drilled, so the case can be installed flat with the standard 4 speed case option.

### Atlas Rear Tailhousing Options:

The Atlas transfer case can be ordered with a rear tailhousing that accepts a stock Jeep speedometer from Jeep vehicles 1982 & newer, [P/N ALT32](#) or [P/N ALT32HD](#) (300M material). If a speedometer drive is needed, we offer the electronic version under [P/N 300640](#) or the mechanical drive version under [P/N 301506](#). The speedometer provision on the Atlas also allows you to calibrate your speedometer for tire and gearing changes, and we do offer all the speedometer gear options. The speedometer access hole on the Atlas tailhousing can be plugged by using [P/N 300621](#).



**Atlas Short Tailhousing (No Speedometer):** The rock crawling industry has ventured into shorter drivetrains and light weight rear engines combinations. With these newer combinations, we were prompted to build a shorter Atlas tailhousing. This new tailhousing is 2" shorter than the standard Atlas tailhousing. It was designed for trail or competition use *only* since it does not provide provisions for any type of speedometer and it shortens the tapered roller bearing life. This new tailhousing, [P/N 301499R](#), can be retrofitted to any Atlas 2 speed case. If you're ordering a new case, this item can be included on a new Atlas by requesting [P/N AST32](#) or [P/N AST32HD](#) (300M material).

The HD Atlas rear tailhousing is basically the same as the standard housing with the exception on the output shaft. The output shaft in this tailhousing is manufactured out of 300M steel. This was initially introduced into our product line for a special aftermarket military vehicle. This high grade steel shaft is 79% stronger than our standard output. This kit is not necessary for most applications; however, for extreme horsepower and torque, the Atlas HD tailhousing may be for you. To also complement the heavy duty output shaft, we offer Competition Gear sets. These gears sets combined with the 300M output shafts gives you the ultimate Atlas competition case. See the Atlas Manual for more info on these options.

**Atlas VSS Tailhousing (No Speedometer):** The VSS tailhousing kits provide a 40 tooth reluctor and sensor in the Atlas tailhousing. This kit will provide the needed sine wave to a GM computer system. A low range switch must be installed and the GM computer must be flashed for the low gear ratio equipped in the Atlas. The Atlas shifter block has the provision for the low range switch. This option can be added to your Atlas by ordering [P/N AVT32](#) for an additional cost of \$75.00. When using the VSS tailhousing, the speedometer in the tailhousing cannot be used. If you need the speedometer connection, we offer a remote VSS kits for the Atlas. See [Page 85](#) for more VSS information and these kits.

### Atlas Front Output Upgrade:

The Atlas was originally designed around a Jeep & Bronco for the avid 4-wheeler. Since its release, vehicle applications have been greatly expanded. The avid 4-wheeler is now a rock crawler competitor, and Jeep and Broncos are now hybrid extreme machines. The full size trucks and high horsepower, 38" plus tire-turning offroad vehicles now require some additional strength. With this expanding and ever-changing market, the Atlas would have to keep up to retain its flawless reputation.

For vehicles requiring a gear box to stand up to the full size truck G.V.W. or to the offroad extremist, we recommend the Atlas Heavy-duty 32 spline front output shaft. This 32 spline front output shaft matches the stock output shaft diameter of the Atlas transfer case. If you think you may want this upgrade, we recommend ordering it at the same time you order your Atlas since it is twice the cost to retrofit a used unit.

[P/N AF32](#) - Upgrade kit equips the Atlas with the 32 spline front output.





### Atlas Yokes & Shifter Options:

With the Atlas transfer case being such a diverse case fitting into such a wide variety of vehicles, naturally we needed a variety of available transfer case yokes. The yokes we offer are for the 26 spline front output shaft and the 32 spline front and rear outputs shafts. The yokes that follow are listed in 3 different ways: 1st column is when ordering a new Atlas; 2nd column is just the yoke by itself; and the 3rd column is the seal followed by the O.E. seal number. Anytime you replace a yoke, the yoke nut should be replaced (P/N 300476) along with seal washer P/N 300474.

Yoke Series & Spline	Yoke P/N's for A New Atlas:	Individual Yokes:	AA Seal P/N's	O.E. Seal P/N's
<i>Front Yokes 26 Spline:</i>				
1310 series (C.V.)	P/N A1310CV26	P/N 300481	P/N 300501	CR 15635 or
1310 series (non-C.V.)	P/N A1310-26	P/N 300477	P/N 300501	NAT. 450185
<i>32 Spline Yokes:</i>				
1310 series (C.V.)	P/N A1310CV	P/N 300475	P/N 300502	CR 18817 or
1330 series (C.V.)	P/N A1330CV	P/N 300369	P/N 300502	NAT. 473239
1310 series (non-C.V.)	P/N A1310	P/N 716295	P/N 300473	CR 21164 or
1350 series (non-C.V.)	P/N A1350	P/N 300472	P/N 300473	NAT. 472015
1350 series (C.V.) *	P/N A1350CV	P/N 300485	P/N 300473	CR 21164 or
1410 series (non-C.V.) Straps	P/N A1410	P/N 300483	P/N 300473	NAT. 472015
1410 series (non-C.V.) U-bolt	P/N A1410U	P/N 300488	P/N 300473	
<i>Flange Yokes 32 Spline</i>				
1310/1330/1350 series (CV & non-C.V.) *	P/N AF1300	P/N 300470	P/N 300473	CR 21164 or
1410 series (non-C.V.) *	P/N AF1410	P/N 300471	P/N 300473	NAT. 472015

\* Yokes with the asterisk are an additional cost on new Atlas orders.

We have designed several shifters for the Atlas transfer case. The part numbers listed below are designed to fit with minimal modifications. The Atlas 4-Speed shifter is for the planetary reduction box and is a cable shifter. It is a universal design and can be mounted anywhere in the vehicle.

#### 2 Speed Shifter Part numbers are:

P/N 303000L - 5.5" Left Universal Atlas shifter	P/N 303001R - 5.5" Right Universal Atlas shifter
P/N 303002L - TJ Automatic Atlas shifter	P/N 303002U - TJ 42RE Universal Atlas shifter
P/N 303003L - TJ Manual Atlas shifter	P/N 303004L - Bronco Atlas shifter
P/N 303005L - ZJ 6" Left Atlas shifter	P/N 303006L - Explorer/Bronco II shifter
P/N 303007L - XJ with AW4 transmission	P/N 303008L - JK Cable Shifter
P/N 303009 - Universal Cable Shifter	P/N 303020 - Jeep TJ Cable Shifter

#### 4 Speed Shifter Part numbers are:

P/N 344000 - Universal Atlas shifter	P/N 344002 - TJ Automatic Atlas shifter
P/N 344003 - TJ Manual Atlas shifter	P/N 344004 - Bronco Atlas shifter
P/N 344005 - ZJ 6" Left Atlas shifter	P/N 344006 - Explorer/Bronco II shifter
P/N 344007 - XJ with AW4 transmission	P/N 344008 - JK Cable Shifter
P/N 303009-4 - Universal Cable Shifter	P/N 303020-4 - Jeep TJ Cable Shifter

4 Speed Reduction Housing Shifter Part number is: P/N 344020 - Left Drop Reduction Cable Shifter

Jeep TJs have a option for either a cable shifter to the main transfer case or a ridged linkage mounted to the front of the new case. Both systems retain the stock console and the factory look. We offer one universal kit for the TJ and that is just for transmission length adjustments to fit the linkage up through the floor board.

Universal cable linkage kit 303009 is designed to fit in any vehicle; however, modifications for proper fit may be required.

Jeep JK's are a must for cable a shifter. The JK had a stock linkage that was cable, so the only access to the transfer case is a small hole in the floor board. The linkage (shown in the photo right) bolts a new twin stick bracket to the floorboard and allows the two handles to come up through the stock console access hole.



*Atlas Shifter Linkage Upgrade:* The connection rods for the Atlas were designed to be universal so they could be adjusted for the various drivetrain lengths. The stock linkage works well for the majority of applications and vehicles. The extreme racers and rock crawlers, on the other hand, were looking for a linkage that would withstand the abuse that they are putting their rigs through. The two kits offered are upgrades that work with the standard handles and use heim joints that are bolted to the Atlas linkage. Anyone can upgrade to these kits as they will work on all Atlas ridged mounted twin stick applications, P/N 303040 or P/N 303041. View the applications descriptions online.

### Optional Atlas Items:

*Option 1.* The Atlas is shipped with a set of standard black shift knobs. We also offer an aluminum knob upgrade as listed below. *Option 2.* Most installations will require a new breather and breather hose to properly vent an Atlas 2 or 4 speed transfer case. We now offer these items along with additional Atlas oil for your first oil change. *Option 3.* It's been our experience that most driveshafts don't include the u-bolt needed to connect driveshafts to the Atlas yokes. You can now order them ahead of time with your Atlas.

1. Aluminum Shift Knobs: Add an "AA" to these P/N's  
for the black anodized knobs  
P/N 303150 2.75" L-N-H standard labelled knobs  
P/N 303151 3.75" long standard labeled knobs  
P/N 303152 2.75" H-N-L reversed labeled knobs



2. Breather & Breather hose:  
P/N X11320 2SP Atlas kit  
P/N X11324 4SP Atlas kit

3. U-Bolt kits (includes two u-bolts):  
P/N X11340 1310 U-Bolt kit  
P/N X11341 1350 U-Bolt kit  
P/N X11342 1410 Strap kit

### Atlas Speedometers:

The Atlas long tailhousing is the only housing that offers a speedometer option. The Atlas long tailhousing is designed to fit a stock Jeep (1982 to 2006) mechanical or electronic driven speedometer housing.

P/N 301506 - Mechanical Speedometer housing

P/N 300630 - Replacement seal and O-ring

If a long tailhousing is needed but you do not want a speedometer, we also offer a plug for the tailhousing. If your application does not require any speedometer connections, order P/N 300621 speedometer hole plug.

The late model Jeep TJs with the Rock Trac 241J transfer case used a tone ring and sensor for the speedometer pickup source. This combination is not able to be used on the Atlas tailhousing. The Atlas only accepts the mechanically driven TJ Speedometer. This NP231 style speedometer will work the same as the later model tone ring and sensor. One advantage is the mechanical unit is easy to modify when larger tires or different ring and pinions are used. This speedometer assembly is offered under P/N 300640. The speedometer gear is not included with this housing assembly.

Toyota Trucks and FJ Cruisers Speedo / VSS

1995-1997

Fully mechanical speedo. P/N 300613 is a cable adapter that will adapt the standard Atlas speedometer drive to the stock cable.

1998-2004

P/N 300605 is a VSS speedometer kit that retains your stock VSS sending unit from your transfer case and couples it to the standard Atlas speedometer drive (P/N 301506).

### Atlas Low Range Switches:

A low range switch and pigtail is also available from us for the Atlas transfer case. This switch is from a stock Jeep TJ. The switch can be used for an indicator light or a low range switch. The sensor is P/N 300378.

*Jeep TJs & JKs:* In essence, the Low-Range switch tells the computer what mode the transfer case is in. To operate the needed functions on these vehicles, we only need one of four normal mode positions and that is the "Low-Range" mode. This mode allows the factory lockers (and electric sway bar if equipped) to work on the Rubicon series TJ, JKs & Power Wagons. The other necessity is the ESP (ELECTRONIC STABILITY PROGRAM) in the JK series of Jeeps. By installing the Low-Range switch in the JK it will automatically turn the ESP to its lowest setting possible allowing front digs in low range, tire slippage without engine hesitation or braking feedback. It will also change the fly-by-wire throttle sensitivity to take away the side affects that usually consist of jerky throttle response that occurs as a result of running low range without the Low-Range switch hooked up.

P/N 300378X - Low range pigtail for Jeep (will not light up 4WD indicator in high range)

P/N 300377 - Control module for Jeep JK's (retains all stock features when an Atlas is installed)

JK' 2012 and newer Jeeps with an automatic transmission will also require a Body Control Module flash to operate correctly with the new Atlas transfer case. Jeep coded the stock transfer case ratio of either the 2.72:1 or the 4.0:1 into this module, and any different ratio in the transfer case will put the vehicle into a limp mode. The Body Control Module is located under the steering column access panel. The Module can be removed and shipped to Burnsville Offroad, 3513 Highway 13 W. Burnsville, MN, 55337, 952-890-3990. The program flash is approximately \$100.00 and you will need to know the ratio you want to use on the Atlas. Unfortunately, the Atlas 4 speed is not an option in these newer JKs with the automatic.

### Special Atlas Adapters:

*1966-77 Bronco Atlas:* When ordered an Atlas with a 28 spline input, the transfer case comes with an input ring machined for the Dana 20 transfer case, making the Atlas a direct bolt-up. This input ring is drilled with 2 rotation choices for the Bronco installation. The stock location is 42 degrees. For additional ground clearance, the unit can be installed at 35 degrees. If you are planning to install a new transmission such as a C6 or NP435, it is possible for the Atlas to be configured to bolt directly to a stock 4WD Ford transmission using the stock Ford adapter. You can still maintain the correct Atlas rotation for your vehicle, and this is usually very cost effective.

*Ford Ranger, Bronco II, & Explorer Atlas:* The Atlas can also replace a stock Borg Warner 1350 transfer case. This 25 spline transfer case option outfits the Atlas with an input ring machined for the stock Ford transmission found in these vehicles. To install an Atlas in these vehicles, you will need consider clearance for the Atlas case. You will either be required to have a body lift (1" minimum) or else be prepared to do crossmember modifications and/or considerable underbody modifications.

*4L60E Atlas Adapter Atlas 2 Speed:* If you need a short drivetrain but want the latest and greatest transmission, then we have the kit for you. We now manufacture a new Atlas input ring that doubles as the transmission adapter. This kit supplies you with a new 23 spline 300M output shaft for the 4L60E transmission. You will be required to use a VSS tailhousing on the Atlas or one of our Tru-Pulse kits. [Part No. 50-9300](#).

*4L60E Atlas Adapter Atlas 4 Speed:* This kit supplies you with a new 23 spline 300M output shaft for the 4L60E transmission. The Atlas 4 speed adapter is similar to the kit listed above but provides a VSS in the 1.625" adapter housing. [Part No. 50-9305](#)

*4L80E Atlas Adapter Atlas:* This adapter plate, [P/N AS-6408](#), allows the 4L80E to couple to the Atlas transfer case. The adapter is 1.25" thick and will normally require a spacer adapter to compensate for the 32 spline output shaft length. For the tone ring or rear output sensor, we also offer the spacer that mounts to the front of the Atlas. This provides 1-5/8" length allowing the stock 4WD output shaft to be used, but it also gives the computer a true output signal. We offer two kits: one for an Atlas 2 speed, [P/N 50-6409](#); one for an Atlas 4 speed, [P/N 50-6410](#).

*GM 6L80 & 6L90 Atlas Adapter Atlas:* This adapter kit, [P/N 50-9600](#), allows the 6L80 and 6L90 to couple to the Atlas transfer case. The 6L80 4WD transmission is normally a 32 spline output and the 6L90 4WD is normally a 29 spline output. The casting has the stock GM crossmember foot bolt pattern to retain the factory rubber support.

*Powerglide Atlas Adapter:* The GM Powerglide automatic has become a popular transmission for the rock crawling rigs. We offer a new cast aluminum adapter and crossmember mount. [Part No. 50-9200](#) is designed to couple the Powerglide to the 27 spline Atlas transfer case. When coupling the Powerglide to the Atlas, the adapter kit requires a shorty 27 spline output shaft to be used.

*C4 to Atlas Adapter:* This kit was also designed for the rock crawling industry. This short C4 adapter kit makes the C4 a manually shifted transmission. This 2.9" long adapter is ideal for vehicles requiring a short drivetrain. [Part No. 50-2903](#) comes complete with a new output shaft and two castings or [Kit No. 50-2905](#) has a 300M output shaft upgrade. Some machining is required to the transmission.

*Spacer Ring:* Certain transmissions to the Atlas transfer case will require a spacer to prevent the transmission output from bottoming out. We offer 3 different length spacers to aid in bolting to the Atlas. [Part No. AS-0404](#) is a 1" spacer plate. [Part No. AS-8603](#) is a 3/4" spacer plate which also allows for some additional rotation options. [Part No. AS-8610](#) is a 1/2" spacer plate.

*Toyota Tacoma Adapter:* Toyota Tacoma applications, 1995 & 1/2 to 2004 with either the automatic or manual transmission and a 4 cylinder or the V6, can now install an Atlas transfer case. We also fit the Tundra 2000 to 2004 V6 & V8 or the T100. We use a 3/8" adapter plate that couples the Atlas to your transmission. We offer the Atlas in either a left or right drop, left being for stock installations. The Toyota transmission either had a 23 spline or 26 spline stock output shaft. Our spud shafts couple to either one of these splines and then provides a Jeep 23 spline output. [Part No. 50-5710](#) or [Part No. 50-5711](#)

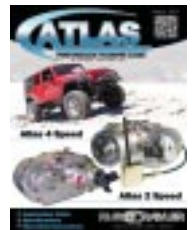
*Nissan Adapter:* The Nissan Titan and Frontier are also applications for the Atlas 2 speed transfer case. The Atlas fits the automatic transmission and couples directly to the Nissan output shaft. We manufacture a new input shaft for the Atlas to couple to the Nissan transmission output shaft. The Nissan transmission requires an adapter plate to bolt on the Atlas, [P/N 50-1114](#). The Atlas 2 speed transfer case is the only configuration currently available for the Nissan.

*FJ Cruiser Adapter:* With all the hype on the new FJ Cruiser, we knew it wouldn't be long before requests came in for drivetrain swaps. Although it does require a bit of modifying, the option of both the Atlas 2 and 4 speed transfer case is now available to fit to the stock transmission. We recommend using a cable shifter due to the center console configuration in the FJ Cruiser. [Part No. 50-5715](#) or [Part No. 50-5716](#).

*NP203 Reduction Box to Atlas Adapter:* If you're looking for the ultimate low gear option, we offer an adapter that couples a NP203 reduction box in front of the Atlas transfer case. This NP203 must be coupled to a stock GM transmission. [Part No. 50-8810](#) adapts the Atlas to this NP203 reduction box.

*Divorce Mounted Atlas Transfer Case:* This kit has been created to give you all of the great gearing options, parts availability, and strength features to vehicles that require a remote mounted transfer case. Early vehicles sometimes ran this type independent transfer case. It was attached to the powertrain by a small drive shaft coming from the transmission. This transfer case functioned identical to others and had a front and rear driveshaft. The entire transfer case assembly was hung from the frame on a crossmember type mount. The Divorced Atlas can be built as either a right or left drop unit. The shifters and crossmember are sold as a separate kit to fit the transfer case.

For more detailed information on vehicle installations or Atlas configurations, please call and order the Atlas installation manual [P/N AT001](#) or see it online at [www.advanceadapters.com](http://www.advanceadapters.com) (PDF located in the TECH VAULT)



#### *Body Mounts:*

When installing an Atlas in most vehicles, floorboard clearance can become an issue. We now offer Daystar's Comfort Ride body lifts for most applications. The Jeep TJs and YJs can be installed without a lift but the extra 1" provided for these vehicles aids in the installation process.

[P/N 714450](#) - Jeep TJ 1" body lift

[P/N 714452](#) - Jeep YJ 1" body lift

[P/N 714454](#) - Jeep 1980-86 1" body lift

[P/N 714455](#) - Jeep 1976-79 1" body lift

# RUBI CRAWLER



This unit fits Jeeps 2003 to 2011 with the 42RLE automatic overdrive transmission. This new reduction unit replaces the stock 42RLE tailhousing with a 6 gear planetary reduction box featuring a 2.72 low range. This is a true bolt-in doubler that couples to the stock Jeep transfer case or an existing Atlas transfer case.

### *Features:*

The RubiCrawler increases our available gear ratios allowing you to gear your Jeep to the terrain in which you're wheeling on. The various ratios will allow you more control of the vehicle which results in extreme off road performance while maintaining a fun and safe offroading experience.

Ratios with a Stock New Process 231/241 are a 2.72:1 and a 7.40:1

Ratios with a Stock NP Rocktrac are a 2.72:1, 4.0:1 and a 10.88:1

### *Stock Transfer Case Functions (all Jeeps):*

With the RubiCrawler installed in any Jeep, the Normal 2WD feature of your Jeep does not change. The city or rural road handling of your Jeep is the same as it was the day you bought the Jeep.

### *Stock Transfer Case Functions with the RubiCrawler in High Gear (all Jeeps):*

RubiCrawler in high range and the transfer case in 4WD high range (all Jeeps). The gear ratio of the transmission does not change. This feature gives you power to all four wheels.

### *RubiCrawler in high range and the t-case in 4WD low range (non Rubicon Jeeps):*

The final gear ratio with the transmission in any gear is reduced 2.72 times lower. This feature gives you power to all four wheels.

### *RubiCrawler in high range and the t-case in 4WD low range (Rubicon Jeeps):*

The final gear ratio with the transmission in any gear is reduced 4.0:1 times lower. This feature gives you power to all four wheels.

### *Stock Transfer Case Functions with the RubiCrawler in Low Gear (all Jeeps):*

RubiCrawler in low range and the transfer case in 2WD (all Jeeps). The final gear ratio with the transmission in any gear is reduced 2.72 times lower. This feature does not give you power to all four wheels but provides slower speeds and more throttle response for easy trail use. The nice feature about this is that you have more torque and better handling.

### *RubiCrawler in low range and the transfer case in 4WD high range (all Jeeps):*

The final gear ratio with the transmission in any gear is reduced 2.72 times lower. This feature give you power to all four wheels and provides a shift-on-the-fly option for four wheel drive. The New Process transfer case can be shifted into high ratio on the fly; so if you're in sand, mud or an offroad trail and need power to all four wheels, this is a great option.

### *RubiCrawler in low range and the transfer case in 4WD low range (non Rubicon Jeeps):*

The final gear ratio with the transmission in any gear is reduced 7.40 times lower. This feature gives you power to all four wheels. This is an extreme crawl ratio that provides a slow controlled approach to an obstacle.

### *RubiCrawler in low range and the transfer case in 4WD low range (Rubicon Jeeps):*

The final gear ratio with the transmission in any gear is reduced 10.88 times lower. This feature gives you power to all four wheels. This is an extreme crawl ratio that provides a slow controlled approach to an obstacle.

### **Key Installation Points:**

No Driveline Modifications.

No Crossmember Modifications.

Most installations can be done in 8 hours.

Clean factory look upon completion.



*Shifting the RubiCrawler:* The RubiCrawler shifting mechanism utilizes push/pull cable technology for a smooth and easy shift. The universal cable shifter is included with the purchase of your RubiCrawler. *The universal shifter should be used if your vehicle is equipped with an Atlas transfer case.*

We also offer a twin stick cable shifter. These kits are designed to fit the stock Jeep TJ and JK consoles. These shifters are an additional charge but are best suited for most installations. The Jeep TJ twin stick shifter replaces the standard mechanical linkage. We have designed a twin stick shifter that comes through the stock console for a clean installation that operates both the RubiCrawler and the stock NP231 or NP241 transfer case. The twin stick JK shifter also provides a twin stick shifter through the stock console. This kit retains the stock transfer case cable with the addition of the new RubiCrawler cable. The RubiCrawler and shifter kits are ordered as a combination. The kit numbers below include the RubiCrawler unit as well as the shifter kit:

<b>P/N RUBI-JKA</b>	JEEP JK (STOCK TRANSFER CASE) Twin Stick Shifter
<b>P/N RUBI-JKAD</b>	JEEP JK (STOCK TRANSFER CASE) Twin Stick Shifter w/ upgraded T/C cable
<b>P/N RUBI-JK-UNIV</b>	JEEP JK (ATLAS TRANSFER CASE) Universal Shifter RubiCrawler
<b>P/N RUBI-TJ231A</b>	JEEP TJ (STOCK 231 TRANSFER CASE) Twin Stick Shifter
<b>P/N RUBI-TJ241A</b>	JEEP TJ (STOCK 241 TRANSFER CASE) Twin Stick Shifter
<b>P/N RUBI-TJ-UNIV</b>	JEEP TJ (ATLAS TRANSFER CASE) Universal Shifter RubiCrawler



Jeep TJ console (left) with the RubiCrawler twin stick shifter installed.



Jeep JK console (right) with the RubiCrawler twin stick shifter installed. The shifter knobs in this photo are the upgraded aluminum knobs, P/N 42R650.

*Additional Accessories:*

- P/N 42R360** - 1 quart A.T.F. (4 quarts recommended)
- P/N 42R370** - New transmission filter
- P/N 42R650** - JK Black anodized aluminum knobs, twin stick shifter kit.

We have also designed an electronic interface assembly that integrates the RubiCrawler into the Jeep Wranglers electronics. The primary function of the RubiCrawler Control Module is to allow the Rubicon locking differentials and disconnecting sway bar (JK only) to operate when the RubiCrawler Low is engaged. **P/N 42R800**



**ADVANCE ADAPTERS, INC. LIMITED WARRANTY**

The RubiCrawler is guaranteed against defects in workmanship and materials for one year. This warranty begins from the date the unit is shipped from Advance Adapters. We log all units with a serial number at time of shipping. The warranty is void (as determined by Advance Adapters, Inc.) by misuse, abuse, improper maintenance, installation and/or alterations to the product. Warranty will be voided if the proper transmission fluid levels are not maintained, if any transmission fluid other than ATF+4 is used or the product has not been properly installed and instructions have not been followed. Do not disassemble or attempt to repair the RubiCrawler as doing so will void the warranty. Please return the product as further described below.

These guarantees do not cover any outside labor, shipping, towing, normal wear or any other unforeseen events that may occur due to failure of a unit. Advance Adapters reserves the right to repair or replace any product.

All returns must have a returned goods authorization (RGA#) prior to shipping the product, and returns are to be sent prepaid freight. Please call 1-800-350-2223 and the sales department can assist you.

# DRIVETRAIN YOKES:

## **10 SPLINE x 1.125"**

**P/N 716407** - 1100 & 1210 (U-Bolt) Fits Dana 18 T/C front output shaft

**P/N 716298** - 1310 (C.V.) Fits Dana 18/20 in both Jeep and Bronco transfer cases

## **26 SPLINE X 1.146"**

**P/N 300477** - 1310 (U-Bolt) Fits Dana 300 front & rear, Dana 20 T/C w/ fine spline, Jeep NP231 front output & Dana 35 & 44 axles with a 26 Spline pinion shaft

**P/N 300481** - 1310 (C.V.) Fits Dana 300 front & rear, Dana 20 T/C w/ fine spline & Jeep NP231 front output

## **32 SPLINE X 1.401"**

**P/N 716295** - 1310 (U-Bolt) Fits NP203/205 with 32 splines

**P/N 300475** - 1310 (C.V.) Fits NP203/205 with 32 splines

**P/N 300369** - 1330 (C.V.) Fits NP203/205 with 32 splines

**P/N 300472** - 1350 (U-Bolt) Fits NP203/205 with 32 splines

**P/N 300485** - 1350 (C.V.) Fits NP203/205 with 32 splines

**P/N 300483** - 1410 (Strap) Fits NP203/205 with 32 splines

Ford NP205 - The seal will need to be changed when using one of our yokes.

Non-C.V. & Flange yokes = National Seal# 473468

C.V. Yokes = C/R Seal# 18872

## **DANA 60 PINION YOKES**

**P/N 716291** - 1310 Series 29 spline yoke

**P/N X11385** - 1310 Dana 60 yoke kit (includes a yoke, seal, washer, nut & u-bolts)

**P/N 716293** - 1350 Series 29 spline yoke

**P/N X11390** - 1350 Dana 60 yoke kit (includes a yoke, seal, washer, nut & u-bolts)

## **GM 14-BOLT CORP. 30 SPLINE**

**P/N 716299** - Chevy Corp. 1350 Series 30 spline yoke

**X11394** - Full Floater kit (includes a yoke, seal, washer, nut & u-bolt)



# COMPLETE TRANSMISSIONS

## **AX15 TRANSMISSION: (New Transmission)**

The AX15 transmission has always been a great transmission able to handle the torque and horsepower of most V8s. The biggest problem has always been the availability of new units. With the lack of availability of a new NV3550, we revisited the possibility of obtaining the Asian Warner AX15 transmission and were successful. Although the torque specifications are not listed on this transmission in any service manual, we feel it's similar enough to the NV3550. The NV3550 was the transmission that superseded the AX15; and Jeep used the same engine with the same vehicle ratings. With the availability of AX15 transmissions, we can now offer some additional transmission retrofit applications. Shift handles are sold separately.

New AX15 transmissions (23 spline output) that come with a 1 year or 12,000 mile warranty. **P/N 26-AX15**

*AX15 Direct Replacement:* The AX15 was used between 1988 to 1999 in the Jeep vehicles. Since these Jeeps are getting up in mileage, a new AX15 makes sense as a direct retrofit. Available in both an internal and external release bearing design.

*AX15 retrofitting the AX5:* This is a newer kit for all 4 cylinder Jeeps 1987 to 2002. The AX5 is considered a light duty transmission compared to the AX15. Jeeps equipped with larger tires and lower gears in the axle & transfer case may find the weak link in the drivetrain is the stock transmission. You can now install the AX15 in place of the AX5 to gain some drivetrain strength. The nice thing is that when you're ready to replace the 4 cylinder with a larger V6 or V8, the AX15 is an ideal transmission for the power increase.

*Peugeot 5 speed Replacement:* The AX15 is the exact same length. The kits we offer include a new input gear for either the New Process 231 or 207 transfer case. Due to vehicle variances, some applications may require transfer case linkage modifications. Kits include a new bellhousing, transfer case shifter linkage, a crossmember adapter mount to retain the stock Peugeot rubber mount, slave cylinder kit, and an input gear for your transfer case.

*1980-86 Jeep replacements:* The AX15 is longer than most of the 4 and 5 speeds found in these vehicles; however, the AX15 is an excellent upgrade to these drivetrains. Call for part numbers and applications.

For a complete list of AX15 transmission packages, call us toll free at 1-800-350-2223 or look online at [www.advanceadapters.com](http://www.advanceadapters.com) and search under the Adapter category.

## Automatic Transmissions:

As the popularity of the automatic transmissions have grown in the offroad industry, we have positioned ourselves with a quality transmission supplier to better serve you. All the transmissions we sell are dyno tested and come with a 24 month or 24,000 mile warranty. These transmissions are completely disassembled and the cases undergo a 7 step process to make the transmission case look like new. These transmissions are built by automatic transmission professionals who use only quality parts. When ordering the transmission and adapter at the same time, we will make sure the proper output shaft is installed for you. We offer a GM Stand-Alone system that operates the GM 4L60E and 4L80E transmissions. The information for this is also listed with the transmissions near the rear of this book.



We carry most GM & Ford Models and many of these can be built from mild to wild depending on your requirements. See Page 86 for a complete listing of the automatics we offer or call us directly at 1-800-350-2223.

## GM and Ford Truck 4 Speed Transmissions:

We offer rebuilt truck 4 speed transmissions that come with a 1 year or 12,000 miles warranty. These transmissions can be built with the proper adapter output shaft installed for your needs. Shift handles are sold separately.

[P/N 26-SM465](#) - GM SM465 Transmission

[P/N 26-NP435](#) - Ford NP435

[P/N 26-T18](#) - Ford T18

[P/N 26-T19](#) - Ford T19

[P/N 26-MC21](#) - Muncie Car 4 Speed

## NV4500:

We offer rebuilt NV4500 transmissions that come with a 1 year or 12,000 miles warranty. These transmissions are built in several configurations for simpler installations or to fit your specific vehicle needs.

[P/N 26-0029R](#) - 29 spline output with a std. Dodge input shaft

[P/N 26-0029RGM](#) - 29 spline output with a std. GM input shaft

[P/N 26-0007R](#) - 32 spline output with a std. GM input shaft

We offer complete adapter packages for the most common Jeep engine and transmission swaps along with the most common transmission retrofits. Most kits include the bellhousing, transfer case adapter, crossmember mount, clutch linkage, and the necessary transfer case linkage components. If we do not offer a transmission package specifically for your application, more than likely we offer the individual components to convert your vehicle. For a list of conversion components & packages, call us toll free at 1-800-350-2223 or look online at [www.advanceadapters.com](http://www.advanceadapters.com), search under the Adapter category. Shift handles are sold separately.

**NV4500 special oil:** The transmissions we sell are shipped dry and will require the proper fluid. We offer the NV4500 fluid under [P/N 715690](#) (5 quarts). On the transmissions we sell, the warranty is void if the proper fluid is not used. Rebuild kits are also available for order under [P/N 715691](#).

## NV3550:

We offer rebuilt NV3550 transmissions (23 spline output) that come with a 1 year or 12,000 mile warranty. [P/N 26-3550R](#)

The NV3550 5 speed is rated at 300 ft.-lbs. at 7200 GVW. The weight of this 5 speed is 97 lbs. The NV3550 transmission can be used as a Peugeot replacement or as a 1980 to 1986 Jeep transmission replacement. Shift handles are sold separately.

On the Peugeot 5 speed, the NV3550 is the exact same length. The kits we offer include a new input gear for either the New Process 231 or 207 transfer case. The only available rotation for the New Process transfer case to the NV3550 is 13 degrees. This could cause some floorboard interference on vehicles that originally had a 23 degree stock rotation. Due to vehicle variances, some applications may require transfer case linkage modifications. The adapter kits are sold either with or without a transmission. Kits include a new bellhousing, transfer case shifter linkage, crossmember adapter mount that retains the stock Peugeot rubber mount, slave cylinder kit, and an input gear for your transfer case.

We offer the NV3550 transmission as a replacement for the stock Jeep T5, T4, and SR4 transmissions found in Jeeps 1980-86. The overall length of the new transmission is 16.750" long, and most bellhousings we offer for this transmission are 7.500" long. Therefore, most applications will require driveline modifications. The NV3550 has the proper spline engagement and proper indexing for the Dana 300. Our transmissions have been modified on the tailhousing to accept the Dana 300 bolt pattern rotation. When installing the Dana 300 to the NV3550, you may be required to modify your transfer case shifter.

For a list of conversion packages, call us toll free at 1-800-350-2223 or look online at [www.advanceadapters.com](http://www.advanceadapters.com) and search under the Adapter category.

# JEEP TRANSFER CASE ADAPTER SELECTION CHART

JEEP TRANSFER CASE SELECTION CHART	DANA 18/20 6 SPLINE 1941-79	DANA 18 10 SPLINE 1969-71	DANA 300 23 SPLINE 1980-86	NP T/C FLUSH 23 1987-06	NP T/C LONG 23 1989-99	NP T/C FLUSH 21 1987-02	NP T/C LONG 21 1987-89
GM , FORD AND DODGE MANUAL TRANSMISSIONS	JEEP AND SCOUTS 10.5" long <b>NOTE 11</b>	(T14 3SP) 10.5" long <b>NOTE 11</b>	NP208 T/C & (84-86 downsize Cherokee <b>NOTE 10</b> )	(999/904 & NV3550) 20.5" long	(AX15) 20.5" long	(AX4/AX5 UP TO 1996) SOME AW4	PEUGEOT (AX5 1997 & NEWER)
<b>GM SM420 4 SPEED</b> 10.5" CASE LENGTH	50-2400 (2) 4.5" ADAPTER 50-2401(3) 4" ADAPTER	50-2402 (3) 4" ADAPTER	50-9702 5.25" ADAP.	50-9702 5.25" ADAP.	50-9704 5.25" ADAP.	50-9701(1) 5.25" ADAP.	50-9703 5.25" ADAP.
<b>GM SM465 4WD 10 SPL.</b> 12" CASE LENGTH	50-4702 4.625" ADAPTER 50-4703 .875" ADAPTER	50-4701 4.625" ADAPTER	50-9810 (26) 50-9800 7" ADAPTER	50-9808 (1,29) 5.25" ADAP. 50-9800 7" ADAPTER	50-9808(29) 5.25" ADAP. 50-9805 7" ADAPTER	50-9801 7" ADAPTER N/A	50-9809(29) 5.25" ADAP. 50-9804 7" ADAPTER
<b>GM SM465 2WD 35 SPL.</b> 12" CASE LENGTH	50-4801 4.625" ADAPTER 50-4703 .875" ADAPTER		50-9807(26) 50-9802 7" ADAPTER	50-9812 (1) 5.25" ADAP. 50-9802 7" ADAPTER	50-9812 5.25" ADAP. 50-9806 7" ADAPTER	50-9811(1) 5.25" ADAP.	50-9811 5.25" ADAP.
<b>FORD T &amp; C 4 SPEED</b> 10.25" CASE LENGTH <b>NOTE 21</b>	50-2000 1.25" ADAPTER						
<b>FORD T &amp; C 3 SPEED</b> 9.25 & 9.68 CASE LENGTH <b>NOTE 21</b>	50-2100 (RAT) 50-2200 (RAN)						
<b>FORD T &amp; C 4 SPEED O.D.</b> 10.25" CASE LENGTH (CAR TRANS)	50-5400 1.25" ADAPTER						
<b>FORD &amp; JEEP T98 4 SPEED</b> 11.87" CASE LENGTH	50-8704 (4) 1.0" 50-8703 (5) 1.0"		50-7503 (6) 3.25" ADAP.	50-7503 (6) 3.25" ADAP.			50-7506(6) 3.25" ADAP.
<b>JEEP T18 4 SPEED</b> 11.87" CASE LENGTH	50-8706 (4) 1.0" 50-8705 (5) 1.0"		50-7502 (6) 3.25" ADAP.	50-7502 (6) 3.25" ADAP.			
<b>FORD T18 4 SPEED</b> 11.87" CASE LENGTH	50-7202 (4) 1.0" 50-7201 (5) 1.0"		50-7500 3.25" ADAP.	50-7500 3.25" ADAP.	50-7505 3.25" ADAP.	50-7501 3.25" ADAP.	50-7504 3.25" ADAP.
<b>FORD T19 4 SPEED</b> 11.87" CASE LENGTH	50-6701 (4) 1.0" 50-6700 (5) 1.0"		50-6501(1) 3.25" ADAP.	50-6501(1) 3.25" ADAP.	50-6501 3.25" ADAP.	50-6600 (1) 5.125" ADAP.	50-6600 5.125" ADAP.
<b>FORD NP435 4 SPEED</b> 10.87" CASE LENGTH	50-6102 3.325" ADAP.		50-3801 4.25" ADAP.	50-3801(29) 4.25" ADAP.	50-3901(29) 6.25" ADAP.	50-3900(1,29) 6.25" ADAP.	50-3900(29) 6.25" ADAP.
<b>JEEP T176 4 SPEED</b>		50-9902	STOCK	50-4101(1) 5.25" ADAP.	50-4101 5.25" ADAP.	50-4100 (1) 5.25" ADAP.	50-4100 5.25" ADAP.
<b>DANA 300 ROTATION KIT</b>			50-8604(9)				50-3021
<b>AMC 1980 &amp; NEWER TRANS</b> 21 SPL. OR 23 SPL.	50-8601 (23) 50-8602 (24)		50-3021(23,26) 50-8603 (24)				
<b>GM NV4500 4WD 32 SPL.</b> 12.375" CASE LENGTH	50-0210 5.87" ADAP. (25)		50-0205 6.3" ADAPTER	50-0212 5.87" ADAP (20)	50-0212 5.87" ADAP. (20)	50-0212 (32) 5.87" ADAP. (20)	50-0212(32) 5.87" ADAP. (20)
<b>DODGE NV4500 4WD 23 SPL.</b> 12.375 CASE LENGTH			STOCK (8) & 716221	50-0204 5.87" ADAP (20)	50-0204 5.87" ADAP. (20)	50-0204 (32) 5.87" ADAP. (20)	50-0204(32) 5.87" ADAP. (20)
<b>DODGE NV4500 4WD 29 SPL.</b> 2001 TRANS <b>NOTES 9 &amp; 28</b>			52-0229 (8,26) & 716221	50-0231 (27)	50-0231 (27)	50-0231 (27)	50-0231
<b>NV3550 4WD TRANS.</b>	50-8602		50-8604(9)			See NV3550	See NV3550
<b>FORD ZF 4WD TRANS.</b>			50-9925(9)				
<b>GM MUNCIE 4 SPEED</b> 10.5" CASE LENGTH <b>NOTE 21</b>	50-0100 4.5" ADAPTER		50-6000 5" ADAPTER				
<b>GM NV3500/NV4500 4WD TRANS.</b>			50-0203				
<b>WARNER SUPER T10 4 SP.</b> 9.5" CASE LENGTH (THIN HUB) <b>NOTE 21</b>	50-0702 5.75" ADAPTER	SPECIAL 5.75" ADAPTER	50-0701 7.625" ADAP.				
<b>WARNER SUPER T10 4 SP.</b> 9.5" CASE LENGTH (THICK HUB) <b>NOTE 21</b>	50-0802 5.75" ADAPTER	SPECIAL 5.75" ADAPTER	50-0801 7.625" ADAP.				
<b>WARNER SUPER T10 4 SP.</b> 9.5" CASE LENGTH <b>NOTE 21</b>	50-0902 5.75" ADAPTER	SPECIAL 5.75" ADAPTER	50-0901 7.625" ADAP.				
<b>GM SAGINAW 3 &amp; 4 SPEED</b> 9.75" CASE LENGTH <b>NOTE 21</b>	50-1000 .715" ADAPTER						
<b>JEEP AX15 5 SPEED</b> .750" ADAP.			50-8603				

NP refers to New Process transfer cases 231, 207 & 241.

Items that are shown in this color are items that will be discontinued when we run out of one of the kit components. Call to check stock on these items



# JEEP TRANSFER CASE ADAPTER SELECTION CHART

JEEP TRANSFER CASE SELECTION CHART  GM , FORD AUTOMATIC TRANSMISSIONS	DANA 18/20 6 SPLINE 1941-79 <i>JEEP AND SCOUTS</i> NOTE 11	DANA 18 10 SPLINE 1969-71 <i>(T14 3SP)</i> NOTE 11	DANA 300 23 SPLINE 1980-86 <i>NP208 T/C 84-86 DOWNSIZE CHEROKEE</i>	NP T/C FLUSH 23 1987-06 <i>(999/904 &amp; NV3550)</i>	NP T/C LONG 23 1989-99 <i>(AX15)</i>	NP T/C FLUSH 21 1987-02 <i>(AX4/AX5 UP TO 1996) SOME AW4</i>	NP T/C LONG 21 1987-89 <i>PEUGEOT (AX5 1997 &amp; NEWER)</i>	SCOUT DANA 300 23 SPL. <i>(SCOUT 727) &amp; JEEP QUADRA-TRAC 10 SPL.</i>
<b>GM TH350 2WD TRANS.</b> <i>21.5" CASE LENGTH</i> NOTE 12	50-3000 <i>1.85" ADAP.</i>	50-3100 <i>1.85" ADAP.</i>	50-6300 <i>3.65" ADAP.</i>	50-6300 <i>3.65" ADAP.</i> 50-6802 <i>1.5" ADAP.</i>	50-6307 <i>3.65" ADAP.</i> 50-6802 <i>1.5" ADAP.</i>	50-6301 <i>3.65" ADAP.</i> 50-6801 <i>1.5" ADAP.</i>	50-6305 <i>3.65" ADAP.</i> 50-6801 <i>1.5" ADAP.</i>	50-3102 <i>1.85" ADAP. (17)</i>
<b>GM TH350 4WD TRANS.</b> <i>21.5" CASE LENGTH</i>	50-3001 <i>1.85" ADAP.</i>	50-3101 <i>1.85" ADAP.</i>	50-6304 <i>3.65" ADAP.</i>	50-6304 <i>3.65"</i> 50-6802 <i>(12)</i> 50-6804/5 <i>(9,15,31) 1.5"</i>	50-6308 <i>3.65"</i> 50-6802 <i>(12)</i> 50-6804/5 <i>(9,15,31) 1.5"</i>	50-6302 <i>3.65"</i> 50-6801 <i>(12)</i> 50-6804/5 <i>(9,15,31) 1.5"</i>	50-6306 <i>3.65"</i> 50-6801 <i>(12)</i> 50-6804/5 <i>(9,15,31) 1.5"</i>	50-3103 <i>1.85" ADAP. (17)</i>
<b>GM TH400 2 &amp; 4WD TRANS.</b> <i>24.25" CASE LENGTH</i>	50-1300 <i>(12)</i> 50-0500 <i>(13,14)</i>	50-1400 <i>2.87" ADAP. (12)</i>	50-6400 <i>(12)</i> 50-6404 <i>(13)</i> <i>4.25" ADAPTERS</i>	50-6402 <i>(1)</i> <i>1.2" ADAP. (12)</i>	50-6403 <i>4.2" ADAP. (12)</i> 50-6402 <i>1.2" ADAP. (12)</i>	50-6401 <i>(1)</i> <i>1.2" ADAP. (12)</i>	50-6401 <i>1.2" ADAP. (12)</i>	50-1401 <i>(17)</i> <i>2.87" ADAP. (12)</i>
<b>GM 4L80 &amp; 4L80E 4SP TRANS.</b> <i>MUST USE GM SHAFT 8661596 OR 24204289</i>			50-0401 <i>(1,9)</i> <i>4.25" ADAP</i>					
<b>GM 700R / 4L60 O/D 4 SPEED</b> <i>23.375" CASE LENGTH 2WD OR 4WD</i>	50-6905 <i>(16)</i> <i>6.25" ADAP. (13)</i>		50-6303 <i>3.65" ADAP. (12)</i>	50-9102 <i>1.5" ADAP. (12)</i>	50-9102 <i>1.5" ADAP. (12)</i>	50-9103 <i>1.5" ADAP. (12)</i>	50-9103 <i>1.5" ADAP. (12)</i>	
<b>GM 700R / 4L60 O/D 4 SPEED</b> <i>4WD TRANSMISSION ONLY</i>			50-6309 <i>3.65" ADAP. (15,26)</i>	50-9104/5 <i>2.5" (9,15,31)</i>	50-9104/5 <i>2.5" (9,15,31)</i>	50-9104/5 <i>2.5" (9,15,31)</i>	50-9104/5 <i>2.5" (9,15,31)</i>	50-2501 <i>(18)</i>
<b>GM 4L60E 2 &amp; 4WD TRANS.</b> <i>700R/4L60 With VSS</i> NOTE 12			50-0404 <i>4.65" ADAP.</i>	50-0402 <i>3.65" ADAP.</i>	50-0402 <i>3.65" ADAP.</i>	50-0403 <i>3.65" ADAP.</i>	50-0403 <i>3.65" ADAP.</i>	
<b>GM 4L60E 2 &amp; 4WD TRANS.</b> <i>W/ REMOVABLE BELLHOUSING</i>			50-0432 <i>4.1" ADAP. (15)</i>	50-0430 <i>3" ADAP. (19)</i>	50-0430 <i>3" ADAP. (19)</i>	50-0431 <i>3" ADAP. (19)</i>	50-0431 <i>3" ADAP. (19)</i>	
<b>GM 4L60E 4WD TRANS.</b> 4.10"			50-0432	50-0434/5	50-0434/5	50-0434/5	50-0434/5	
<b>AMC 1980 &amp; NEWER TRANS.</b>	50-8601 <i>(23)</i> 50-8602 <i>(24)</i>		50-3021 <i>(23)</i> 50-8603 <i>(24)</i>					
<b>FORD C4 3 SPEED TRANS.</b>	50-2900 <i>5" ADAP. (12)</i>		50-8100 <i>(1)</i> <i>6.25" ADAP. (12)</i>	50-8100 <i>(1)</i> <i>6.25" ADAP. (12)</i>	50-8100 <i>6.25" ADAP. (12)</i>			
<b>FORD AOD EARLY 4SP TRANS.</b> <i>1987 &amp; EARLIER 20.5" CASE LENGTH</i>			50-2902 <i>6.37" ADAP. (12)</i>	50-2902 <i>6.37" ADAP. (12)</i>				
<b>FORD AOD LATE &amp; AODE 4 SP</b> <i>1988 &amp; UP 20.5" CASE LENGTH</i> NOTE 30			50-2901 <i>6.37" ADAP. (12)</i>	50-2901 <i>6.37" ADAP. (12)</i>				
<b>FORD C6 3 SP. TRANS.</b> <i>20" CASE LENGTH</i>	50-3300 <i>5" ADAP. (12)</i>		50-9925 <i>.75" ADAP. (1, 9, 15)</i>					
<b>GM 4L60E (HEX PAT) ATLAS T/C</b>	50-9300 for an ATLAS 2 SPEED & 50-9305 for an ATLAS 4 SPEED				C4 / ATLAS (50-2903 Shorty) or (50-2905 Shorty 300M)			

## NOTES:

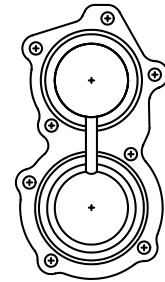
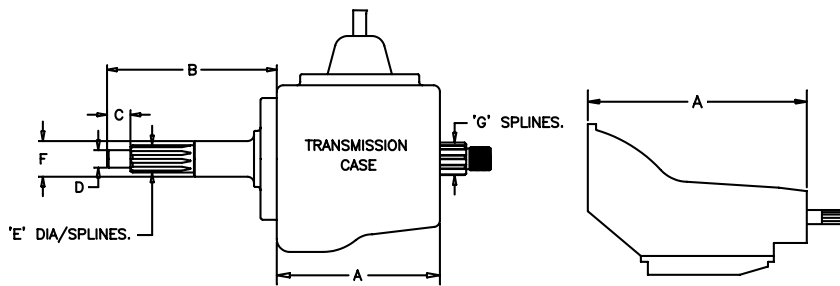
- (1) OUTPUT SHAFT MAY NEED TO BE SHORTENED OR A 1" SPACER ADAPTER MAY NEED TO BE USED (P/N 51-0404)
- (2) THIS KIT USES A NEW FULL MAIN SHAFT
- (3) THIS KIT USES A SPUD SHAFT
- (4) THIS KIT FITS SMALL HOLE T/Cs
- (5) THIS KIT FITS LARGE HOLE T/Cs
- (6) TRANSMISSION CASE NEEDS MACHINE WORK
- (7) ADAPTER LENGTH IS PART OF TRANS. MEASUREMENT
- (8) THIS ADAPTER WILL ALSO NEED AA P/N 716221
- (9) THESE KITS COME WITH A NEW T/C INPUT GEAR
- (10) ADAPTERS FOR CHEROKEES REQUIRE FLOOR & SHIFTER MODS.
- (11) THESE ADAPTERS REQUIRE A NEW BEARING & RETAINER
- (12) NEW TRANSMISSION OUTPUT SHAFT MUST BE INSTALLED
- (13) USES STOCK 2WD OUTPUT SHAFT
- (14) USES 15 TOOTH JEEP GEAR
- (15) USES STOCK 4WD OUTPUT SHAFT
- (16) LONG WHEEL BASED VEHICLES ONLY
- (17) SCOUT DANA 300 T/C
- (18) JEEP QUADRA-TRAC T/C
- (19) COMPLETE TRANSMISSION TO TRANSFER CASE ADAPTER
- (20) THESE ADAPTERS ARE SUPPLIED WITH A TRANSFER CASE BRKT.

(21) THESE TRANSMISSIONS ARE SIDE SHIFTED. BELOW ARE THE SHIFTER

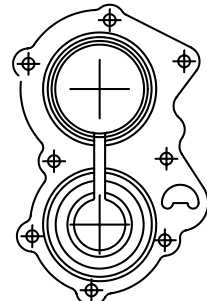
BRACKETS, ROD KITS & HURST SHIFTER WE OFFER:

715501	MUNCIE BRACKET	715628	SAGINAW ROD KIT
715502-NS	SUPER T-10 SHFT.BRKT.	715631	FORD T&C ROD KIT
715506	SAGINAW & FORD T&C SHFT.BRKT.	715600	HURST SHIFTER
715625	MUNCIE ROD KIT (MALE STUDS)	715643	JEEP T/C KNOBS
715626	MUNCIE ROD KIT (FEMALE STUDS)	715644	OFFSET HANDLE
715627-NS	SUPER T-10 ROD KIT		

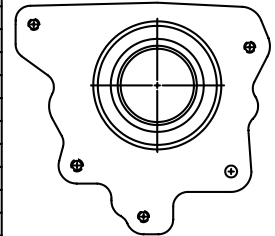
- (22) THIS KIT USES A STOCK 700R4 4WD OUTPUT SHAFT. IF YOUR 4L60E IS A 4WD TRANNY, YOU CAN USE THIS STOCK SHAFT, BUT IT WILL REQUIRE A DIFFERENT CLAMP ON RELUCTOR THAN THE ONE PROVIDED IN THE KIT. THAT PART NO. IS 716074
- (23) FOR USE ON A 21 SPLINE TRANSMISSION
- (24) FOR USE ON A 23 SPLINE TRANSMISSION
- (25) STOCK OUTPUT SHAFT MUST BE SHORTENED. KITS USE THE 31 TOOTH PORTION OF OUTPUT SHAFT
- (26) THIS KIT WILL NOT WORK ON A NP208 TRANSFER CASE.
- (27) KIT 50-0231 IS A 29 SPLINE INPUT GEAR THAT FITS NP231 T/Cs
- (28) THIS KIT WORKS IN CONJUNCTION WITH THE ADAPTER LISTED UNDER DODGE 23 SPL. NV4500
- (29) THE CASTING IN THIS KIT ONLY HAS ONE ROTATION AVAILABLE
- (30) THE AODE WILL REQUIRE SOME ADDITIONAL PARTS FROM FORD
- (31) THESE KITS FIT THE NP231 T/C ONLY. TRANSFER CASES UP TO 1994 USE A DIFFERENT INPUT GEAR THAN THE 1995 & LATER MODEL NP231. KITS ENDING WITH A "4" FIT THE EARLY MODEL; KITS ENDING WITH "5", LATE MODEL.
- (32) THESE KITS REQUIRE THE PURCHASE OF A NEW T/C INPUT GEAR



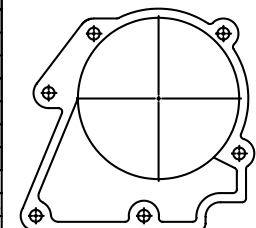
GM SM420



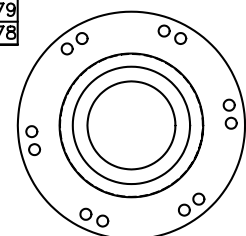
GM SM465



DANA 18/20

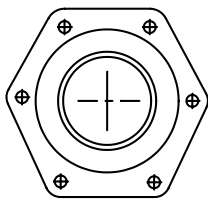


FORD C4

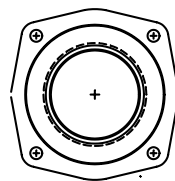


DANA 300 & NEW PROCESS

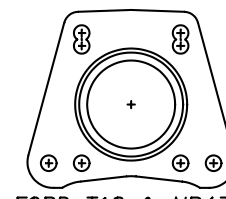
MODEL	A	B	C	D	E	F	G	1st	2nd	3rd	4th	5th
MUNCIE CAR 4-SPD.	10.43	6.50	1.00	.590	1-1/8-10	1.373	27 SPL.	2.20	1.84	1.27	1.00	
SAGINAW 3 & 4 SPD.	9.62	6.50	1.00	.590	1-1/8-10	1.373	27 SPL.	2.84 3.11	1.68 2.20	1.00 1.47	1.00	
SM 420 4-SPEED.	10.43	6.50	1.00	.590	1-1/8-10	1.373	10 SPL.	7.05	3.57	1.70	1.00	
SM 465 4-SPEED.	12.00	6.50	1.00	.590	1-1/8-10	1.373	10,35,32	6.54	3.57	1.57	1.00	
TURBO 350	21.50						27 SPL.	2.52	1.52	1.00		
TURBO 400	24.25						32 SPL.	2.48	1.48	1.00		
700R-4 & 4L60	23.37						27 SPL.	3.059	1.625	1.00	0.696	
4L60E 4 BOLT TAIL	21.87						27 SPL.	3.059	1.625	1.00	0.696	
4L60E W/ REM. B/H	15.50						27 SPL.	3.059	1.625	1.00	0.696	
4L80E	26.00						32 SPL.	2.482	1.482	1.00	0.750	
GM NV4500 92-94	12.44	6.50	.910	.590	1-1/8-10	1.373	32 SPL.	6.34	3.44	1.71	1.00	0.73
GM NV4500 95& UP	12.44	6.50	.910	.590	1-1/8-10	1.373	32 SPL.	5.61	3.04	1.67	1.00	0.73
DODGE NV4500	12.44	7.50	1.185	.670	1-1/8-10	1.433	23 OR 29	5.61	3.04	1.67	1.00	0.73
DODGE NV4500 H.D.	12.44	7.50	1.185	.670	1-1/4-10	1.433	29 SPL.	5.61	3.04	1.67	1.00	0.73
T & C 4-SPEED	10.12	6.50	1.125	.670	1-1/16-10	1.433	28 SPL.	2.32 2.78	1.69 1.92	1.30 1.35	1.00	
T & C 4-SPEED O.D.	10.12	6.50	1.125	.670	1-1/16-10	1.433	28 SPL.	3.29 3.01	1.84 1.72	1.00 1.00	.81 .70	
NP435 4-SPEED	10.875 <sup>8.50</sup>	7.50	.875	.670	1-1/16-10	1.433	28 SPL.	6.69	3.34	1.79	1.00	
T18 4-SPEED	11.875	6.50		.670	1-1/16-10	1.433	31 OR 28	6.32	3.09	1.69	1.00	
T19 4-SPEED	11.875	6.50		.670	1-1/16-10	1.433	31 OR 28	5.11	3.03	1.79	1.00	
ZF (S5-42 & S5-47)	26.25			.670	1-1/16-10		31 SPL.	Varies	Varies	Varies	Varies	Varies
C4 3-SPEED AUTO.	17.00						28 SPL.	2.46	1.46	1.00		
C6 3-SPEED AUTO.	20.00						31 SPL.	2.46	1.46	1.00		
AOD & AODE	17.00						28 SPL.	2.40	1.47	1.00	0.67	
TF-727	16.00						23 SPL.	2.45	1.45	1.00		
TF-904	20.00						21 SPL.	2.46	1.46	1.00		
TF-999	17.00						23 SPL.	2.80	1.47	1.00		
AW4	16.25						21 OR 23	2.40	1.55	1.00	0.69	
518-A	17.00						23 SPL.	2.40	1.47	1.00	0.67	
T84 3-SPEED	6.75	6.87	1.00	.629	15/16-10	1.25	1-3/8-6	2.94	1.94	1.00		
T85 3-SPEED	9.50	11.00	1.00		1-1/8-10	1.50	1-3/8-6	2.91	1.79	1.00		
T86 3-SPEED	8.00	9.50	1.18	.590	1-1/8-10	1.37	1-3/8-6	2.88	1.68	1.00		
T89 3-SPEED	9.50	9.00	1.00	.629	1-1/8-10		1-3/8-6	3.36	2.14	1.00		
T90 3-SPEED	8.12	9.50	1.50	.629	1-1/8-10	1.37	1-3/8-6	2.98	1.66	1.00		
T14-V6 3-SPEED	8.75	9.50	1.18	.590	1-1/8-10	1.37	1-3/16-10	3.10	2.61	1.00		
T14-STR. 6 3-SPEED	8.75	8.50	1.18	.590	1-1/8-10	1.37	1-3/16-10	3.10	2.61	1.00		
T15 3-SPEED	10.00	8.50	1.18	.750	1-1/8-10	1.40	1-3/8-6	2.97	1.55	1.00		
T18 4-SPEED	11.87	VARIES	1.00	.625/670	1-1/8-10	1.31	1-3/8-6	4.03	2.42	1.41	1.00	
T98 4&6 CYL. 4-SPEED	11.87	10.75	1.00	.625/670	1-1/8-10	1.31	1-3/8-6	6.40	3.09	1.69	1.00	
T150 1976-79 3-SPEED	9.25	7.25	2.00	.673	1-1/16-10	1.43	1-3/8-6	2.99	1.75	1.00		
T176 1980-86 4-SPEED	10.25	7.12	1.50	.590	1-1/8-10	1.43	23 SPL.	3.52	2.27	1.46	1.00	
T4 4-SPEED	9.18	7.19	1.50	.590	1-1/8-10	1.43	23 SPL.	4.03	2.37	1.50	1.00	
T5 5-SPEED	9.18	7.19	1.50	.590	1-1/8-10	1.43	23 SPL.	4.03	2.37	1.50	1.00	.76
SR4 4-SPEED	9.18	7.18	1.50	.590	1-1/8-10	1.43	23 SPL.	3.50	2.21	1.43	1.00	
AX4-AISIN.4-SPEED	10.25	7.25	1.06	.590	1"-14	1.43	21 SPL.	3.93	2.33	1.44	1.00	
AX5-AISIN.5-SPEED	10.25	7.25	1.06	.590	1"-14	1.43	21 SPL.	3.83	2.33	1.44	1.00	.79
BA10/5 PEUGEOT 5-SPEED	9.25	7.25	1.50	.590	1-1/8-10	N/A	21 SPL.	3.39	2.33	1.44	1.00	.79
AX15	16.75	8.00	1.46	.590/.750	1-1/8-10	N/A	23 SPL.	3.83	2.33	1.44	1.00	.79
NV3550	16.75	8.00	1.46	.750	1-1/8-10	N/A	23 SPL.	4.01	2.32	1.40	1.00	.78



TH400



TH350 & 700R



FORD T18 & NP435

# STOCK JEEP TRANSMISSION & BELLHOUSING ADAPTER INFORMATION

## JEEPS 1941 & UP

Over the past 60 years, Jeep vehicles have been equipped with over 25 different transmissions making it difficult to identify the specific transmission by the year of the vehicle. Listed on the following pages are the stock Jeep transmissions and the corresponding bellhousing adapters we manufacture. This section is a condensed version of what is supplied in the Jeep Instruction Manual.

(Note: The engine blocks referenced are as follows: Chevy includes all V8s, 229 & 4.3 V6. Ford includes 289, 302, 351W. AMC includes 258, 304, 360, 401, 4.2L, 4.0L - each manufacturer group having the same block bolt pattern. The newer Chevy Generation III Vortec engines require a few additional considerations.)

Using a bellhousing adapter is usually the easiest and least expensive way of converting to a new engine. When considering the use of either a stock manual or automatic transmission, strength and durability should be the first area of concern. The stock transmissions were designed to handle the horsepower and torque of the stock engine that the vehicle was equipped with. Having this in mind, consider your driving habits, tire size, and the intended use of the vehicle. You may incur more expenses in the long run if your transmission is not adequate to handle the new engine of your choice.

When starting a conversion, there are many things to consider. Whether you use a transfer case adapter listed on the previous pages or choose a stock bellhousing adapter in this section, there are other essential engine and drivetrain swap components that we also provide. Between Pages 27 through 44, you'll find everything from *Bellhousing Adapters, Transmission Retrofits, Special Conversion Bellhousings, Clutch Components, Motor Mounts, Radiators, Exhaust Headers, and Saginaw Steering Conversions.*

## BELLHOUSING ADAPTERS

### JEEP TRANSMISSIONS 1941-79

Most of the early transmissions used a long transmission input shaft. We manufacture adapter plates that make the stock Jeep transmission look just like a Chevy or Ford. This enables us to bolt a Chevy or Ford engine and stock bellhousing to this adapter plate. With these adapter plates, we utilize a new front bearing retainer to obtain proper bellhousing alignment. On Chevy bellhousing kits, we use a small index of 4.686". (For larger index bellhousings, [P/N 716078](#) can be added to the kit. This is an index ring that increases the 4.686" retainer to a 5.125" diameter). On Ford bellhousings, a bearing index of 4.848" is used.

**T84** (1941-45) - Transmission case length of 6.750". We do not manufacture any adapters to retain this 3 speed.

**T90** (1946-72) - Transmission case length of 8.000". T90 will normally be stamped on the case. It was used with both the 4 & 6 cylinder applications. If your T90 was originally fitted to a 4 cylinder, you will be required to purchase a 6 cylinder style input shaft, [P/N 716014](#). This shaft has a gear tooth count of 18 teeth. On some Jeep (*and Scout*) vehicles, the input shaft that you are replacing may be 16 tooth. On these applications, you will also need to purchase a new cluster gear, [P/N 716018](#).



[P/N 712502](#) - Chevy bellhousing to T90

[P/N 712505](#) - Ford bellhousing to T90

**T86AA** (1966-68) - Transmission case length of 8". T86 will normally be stamped on the case.

[P/N 712506](#) - Chevy bhsg. to T86

[P/N 712508](#) - Ford bhsg. to T86

**T14A** (1968-75) - Transmission case length of 8.375". T14A or 1302 is normally cast on the side of the case. This transmission was used up against two different engines; and two different input shaft lengths were used. The description below designates the stock engine application:

[P/N 712506](#) - Chevy bhsg. to T14A (replacing V6 engine)

[P/N 712510](#) - Chevy bhsg. to T14A (replacing straight 6 engine)

[P/N 712508](#) - Ford bhsg. to T14A (replacing V6 engine)

[P/N 712511](#) - Ford bhsg. to T14A (replacing straight 6 engine)

**T15A** (1972-75) - Transmission case length of 10.000". T15 or 1307 is normally cast on the side of the case.

[P/N 712510](#) - Chevy bhsg. to T15A

[P/N 712511](#) - Ford bhsg. to T15A



- T150** (1976-79) - Transmission case length of 9.250". A casting number of 2603983 can be found on the case under the oil fill hole. We manufacture two types of GM adapters for this application. This transmission bolt pattern is the same as a standard Ford. The Ford bellhousing can bolt directly to the T150. No adapter is necessary.  
**P/N 712548** - Full Conversion bellhousing, Chevy engine to T150. (11" clutch recommended)  
**P/N 712527** - Adapter plate to accept a standard Chevy bhsg.

The next section covers both the *T98* & *T18* transmissions. Since these two gear boxes are almost identical, we have grouped and listed the conversion components together.

- T98A** (1955-73) - This 4 speed transmission can be identified by a case length of 11.875", and a casting number of T98. The shift cover is mounted on the top of the case with 6 bolts. This is an excellent transmission to mate to any V8. For the necessary adapter, you will need to determine your front input shaft stickout length. There are several various lengths and it is critical that you determine this measurement prior to ordering the necessary components for your vehicle.

- Jeep T18** (1965-79) - This 4 speed transmission has a case length of 11.875". The casting number is T18, 1301, or shifter top cover casting T98. There are over 14 variations of this 4 speed transmission. These transmissions can have either a 4:1 or 6.32:1 1st gear ratio. This transmission is an excellent choice for Chevy and Ford conversions. The biggest problem that we have with this transmission is the various lengths of the front input shaft. To select the correct adapter, you will be required to determine your stock input shaft stickout length. (*Transmissions with long input shafts will not work in short wheel base vehicles*).

In order to assist you in determining the necessary adapter plates for both the *T98* and *T18* transmissions, we have listed the adapters that correspond to the transmission *stickout* length. **The stickout length is usually 2-5/8" less than the O.A.L.**



<i>Stickout</i>	<i>O.A.L. Of Input Shaft</i>	<i>GM Kit Number</i>	<i>Ford Kit Number</i>
7-3/8"	10"	712528	712529
7-3/4"	10-3/8"	712512	712514
9-3/8"	12"	712521	712522
10-1/4"	12-7/8"	712517	712518
11-3/8"	14"	N/A	N/A
13-1/8"	15-3/4"	712516	N/A
13-1/4"	15-7/8"	712516	N/A
13-3/8"	16"	712516	N/A
14-1/8"	16-3/4"	712516	N/A



On any transmission that has a 17 tooth input shaft, you have the option of installing a new shorter input shaft. If you are using a T98 or T18 in a short wheel base vehicle, drivetrain length is crucial. These input shafts have a 17 tooth gear and allows us to use a 1/2" thick adapter plate. **P/N 712512** for a T18 and **P/N 712512-T98** for the T98 transmission is to a Chevy engine. **P/N 712514** for a T18 and **P/N 712514-T98** for the T98 transmission is to a Ford engine. These adapters are 1/2" thick adapter plates (thin design) that come complete with a new input shaft for your transmission.

- P/N 712528** - Chevy bhsg. kit (input shaft stickout 7.375", 1-1/16" 10 spl. *normally used in 1976*)
- P/N 712549** - Chevy bhsg. kit (input shaft stickout 7.375", 1-1/16" 10 spl. *normally used in 1977-79*)
- P/N 712529** - Ford bhsg. kit (input shaft stickout 7.375", 1-1/16" 10 spl. *normally used in 1976*)
- P/N 712521** - Chevy bhsg to kit (input shaft stickout 9.375")
- P/N 712522** - Ford bhsg. to kit (input shaft stickout 9.375")
- P/N 712517** - Chevy bhsg. to kit (input shaft stickout 10.250")
- P/N 712518** - Ford bhsg. to kit (input shaft stickout 10.250")
- P/N 712516** - Chevy bhsg. to kit (13 to 14" input shaft stickout)
- P/N 712512** or **712512-T98** - Chevy bhsg. to kit (input shaft stickout 7.750")
- P/N 712514** or **712514-T98** - Ford bhsg. to kit (input shaft stickout 7.750")

- AMC TH400** (1972-79) - Transmission case length of 24.500". In 1971, this transmission was introduced in Jeeps; however, this early transmission used a cast iron adapter plate to fit this tranny to the AMC block. In 1974, the case was redesigned and eliminated the cast iron adapter. *We manufacture an adapter to mate only the 1974 & newer transmissions to Chevy blocks.*  
**P/N 716133** - AMC TH400 plate to Chevy block

- 727 Torqueflite** (Jeeps 1976-79) - Transmission case length of 16.000". Although rarely used within these years, it would have been found mostly in Jeep Wagons and pickups, and used with a V8 or straight 6 cylinder. The following adapters are not compatible with the 4 cylinder transmission model #904.  
**P/N 716131-A** Chevy block  
**P/N 716131-V** Chevy Gen III Vortec V8 block  
 (Some 727 transmissions, when coupled to a stock V8, may require a new torque converter)

## JEEP TRANSMISSIONS 1980-86:

Between 1980-86, the Jeep transmission clutch input shaft was designed shorter than the earlier year transmissions. This presented a problem with clutch & pilot bushing engagement when trying to use an adapter plate. For these year Jeep vehicles, we manufacture a full bellhousing. These bell housings are designed to bolt directly to the stock 4 or 5 speed transmission and retain the stock clutch linkage. We utilize the original bearing retainer to align the stock transmission to a new bellhousing on Chevy or Ford engine conversions.

- T176, T177** - Transmission case lengths of 10.250". Casting number of 2604203. This transmission bolt pattern (1980-83) is the same as a standard Ford. We manufacture two types of adapters for this application. (Note: On some T177 transmissions, Jeep used a long input shaft. These adapters will not work on this application.)  
(highly recommended) **P/N 712548** - Full conversion bellhousing, Chevy engine to T176 (*11" clutch recommended*)  
**P/N 712534** - Adapter plate to accept a standard Chevy bhsg. (with 4.686" index)

- T4, SR4 & T5** - Transmission case lengths of 15.187". These transmissions were used with the AMC 258 6 cylinder, AMC 150 4 cylinder, and the GM Iron Duke 4 cylinder. The input shafts on these transmissions are normally 1-1/8" 10 spline; however, in some 1986 applications we have found a 1" 14 spline. When converting to these transmissions, we offer two options.



- P/N 712548** - Full conversion bellhousing, Chevy engine to T4, SR4 & T5 (highly recommended) (*11" clutch recommended*) When replacing an AMC 4 cylinder and using the 712548 bellhousing, you will need to purchase a few additional items; Part numbers **716332** T/O arm boot, **716333** internal return spring, **716334** clutch release arm & **716336** slave cylinder.

- P/N 712533** - Adapter plate to accept a standard Chevy bhsg. (with 4.686" index)

*NOTE:* When replacing the Iron Duke, no adapter is required.

- 999 / 727 Torqueflite** - This transmission can be identified by a case length of 16", and a transfer case adapter housing (1980-86) length of 6-5/8". These transmissions can be found behind a 258 6 cylinder or AMC V8 engine. These transmissions were coupled to both the Dana 300 and New Process transfer cases. We have developed an adapter plate that bolts to the front side of the transmission case, adapting it to a Chevy V6 or V8 engine. The kit also includes an internal adapter for the torque converter. This adapter ring indexes to the Jeep torque converter and then has a standard GM bolt pattern to couple to a factory GM flexplate, this ring also takes care of the spacing of the converter with the new engine and adapter housing.

- P/N 716131-A** Chevy block  
**P/N 716131-V** Chevy Gen III Vortec V8 block

## JEEP TRANSMISSIONS 1987-UP:

The transmissions used in Jeeps 1987 & UP changed once again. The indexing of these transmissions to the bellhousing was no longer done by a bearing retainer. Dowel pin alignment was then introduced. Along with this new type of indexing, Jeep also changed the design of their clutch mechanism. In these early year series Jeeps (1987-93), Jeep used an internal hydraulic throw-out bearing design, then changed to an external design on 1994 & newer models. For these transmissions, we still manufacture a full bellhousing due to the overall length of the input shaft. When using these transmissions, it is crucial to identify the exact transmission and the type of linkage it is equipped with.

- AX4 & AX5** - The overall transmission case length is 22.500". The output shaft of these trannys are (1985-2002) a flush 21 spline in vehicles up to 1996, and then switched to a 1/2" stickout past the tailhousing in 1997 & newer Jeeps. They are normally found coupled to an AMC 4 cylinder engine and had either an internal or external slave cylinder. The conversion bellhousing we manufacture requires a new slave cylinder, **P/N 716213**, which is mounted externally. The input shaft on the AX5 is 1"-14 spline, so all conversions will require the use of a special 10-1/2" clutch disc, **P/N 716104**.



- P/N 712565** - Full conversion bellhousing, Chevy to AX4 & AX5  
**P/N CF360056** - 10-1/2" High profile pressure plate  
**P/N 712565V** - Full conversion bellhousing using 168 tooth Flywheel, Chevy to AX4 & AX5  
**P/N CF165552** - 11" High profile pressure plate (*must use P/N 22-0001*)  
**P/N N1430** - Flat-face throw out bearing



**Peugeot 5 speed** (1987-89) - The overall transmission case length is 24.000". This transmission is also called BA10/15. The output shaft on this transmission is a long 21 spline and is normally found coupled to an AMC 4.2L 6 cylinder engine. It always used an internal slave cylinder. The conversion bellhousing kit we manufacture provides a new internal slave cylinder. (Note: This is a very light-duty transmission.)

**P/N 712566** - Full conversion bellhousing, Chevy to Peugeot 5 speed



**AX15** (1989-99) -

The overall transmission case length is 24.000". The output shaft on this transmission is a long 23 spline. It is normally found coupled to an AMC 4.0L high output 6 cylinder engine. It uses both an internal and external slave cylinder. The GM conversion bellhousing we manufacture requires a new slave cylinder mounted externally (**P/N 716213**). In 1997, the pilot diameter of this transmission was increased to .750"



**P/N 712567** - Full conversion bellhousing using 153 tooth Flywheel, Chevy to AX15

**P/N CF360056** - 10-1/2" High profile pressure plate

**P/N 383271** - 10-1/2" clutch disc

---

**P/N 712567V** - Full conversion bellhousing using 168 tooth Flywheel, Chevy to AX15

**P/N CF165552** - 11" High profile pressure plate (**must use P/N 22-0001**)

**P/N 383735** - 11" 1-1/8 inch, 10 spline clutch disc

---

**P/N N1430** - Flat-face throw out bearing

**P/N 712543** - Adapter plate fitting the AX15 to a Ford bhsg. (with a 4.848" index)

**P/N 716210** - Stock AX15 bearing retainer.

**Torqueflite 999 (30RH & 32RH)** (1987-2002) - The overall transmission case length is 16.000". The output shaft on these trannys are a flush 23 spline. They are normally found coupled to an AMC 6 cylinder engine. Transmission identification numbers are stamped on the left side of the case just above the oil pan gasket surface. We have developed an adapter plate that bolts to the front side of the transmission case, adapting it to a Chevy V6 or V8 engine. The kit also includes an internal adapter for the torque converter. This adapter ring indexes to the Jeep torque converter and then has a standard GM bolt pattern to couple to a factory GM flexplate, this ring also takes care of the spacing of the converter with the new engine and adapter housing.



**P/N 716131-A** Chevy block

**P/N 716131-V** Chevy Gen III Vortec V8 block

**NV3550** (2000-04) - This transmission was used in TJ Wranglers equipped with the 4.0L 6 cylinder engine. This tranny has a case length of 16-3/4", a 1-1/8" 10 spline input shaft, and a pilot tip diameter of .750". The output shaft of this transmission is a flush 23 spline. The shifter handle location is 12" from the face of the transmission to the center of the shifter handle. The GM conversion bellhousing we manufacture requires a new slave cylinder mounted externally (**P/N 716213**).

**P/N 712591** - Chevy V8 to NV3550, full conversion bellhousing using 153 tooth Flywheel

**P/N CF360056** - 10-1/2" High profile pressure plate

**P/N 383271** - 10-1/2" clutch disc

---

**P/N 712591V** - Chevy V8 to NV3550, full conversion bellhousing using 168 tooth Flywheel

**P/N CF165552** - 11" High profile pressure plate (**must use P/N 22-0001**)

**P/N 383735** - 11" 1-1/8 inch, 10 spline clutch disc

---

**P/N N1430** - Flat-face throw out bearing

**P/N 712544** - Ford Engine to NV3550, adapter plate

**Aisin AW4** (1989-2002) - This transmission is an overdrive automatic similar to the GM 700R tranny. The transmission output shaft was both 21 & 23 splines. Due to the complex computer controls, we do not offer any adapters to retain this transmission with a new engine.

**NSG 370** (2005-2009) - This Jeep 6 speed was used in both the TJ and JK with a 23 spline output spline, we do not offer any adapters to retain this transmission with a new engine.

**42RLE 4 Speed** (2003-2011) - This transmission is a 4 speed overdrive automatic. We do not offer any adapters to retain this transmission with a new engine. We do offer some gearing options. See the RubiCrawler, Pages 20 & 21.



## SCOUT TRANSMISSIONS:

### *Torqueflite -*

On Scout vehicles that were equipped with the Torqueflite 3-speed automatic transmission, we offer a kit that will bolt a Chevy V8 to this automatic replacing the stock I.H. 304 or 345 engine. This kit comes complete with an adapter plate, crank bushing, and flexplate. This kit is not compatible with the small block 400.  
[P/N 712572-A](#) - Torqueflite to Chevy V8 (up to 1985)

*Scout T18 & T19* - These Borg Warner 4 speed transmissions have the long 10-1/4" stickout with an 1-1/4" 10 spline input shaft. We have developed two kits to use these transmissions. The original clutch linkage will need to be modified and relocated forward from the firewall, which is the most difficult part of this particular conversion.

[P/N 712530](#) - T18, T19 or T98 to Chevy adapter plate

[P/N 712531](#) - T18, T19 or T98 to Ford adapter plate (new input shaft provided-17 tooth gear)

[P/N CF165473S](#) - Centerforce 11" Pressure Plate (*recommended for GM conversions*)

## JEEP TRANSMISSION RETROFITS

### *(JEEPS RETAINING STOCK AMC ENGINE & STOCK TRANSFER CASE)*

On many of the late model Jeeps, the stock engines that were used were adequate for horsepower and torque. An example of these engines include the 4.0L, 4.2L, 258 6 cyl., 304, 360, and 401. The weak link is normally the stock transmission up against these power plants. We manufacture bellhousing adapters to retain these stock *AMC-Jeep* engines with new, stronger transmissions. The part numbers listed below are just the bellhousing components required. A transfer case adapter will also be necessary. The Transfer Case Selection Charts are located on [Pages 24 & 25](#).

*Ford T18 & NP435*: These transmissions are popular to retrofit into these vehicles. They are a heavy-duty 4 speed with a granny low 1st gear. The transfer case adapter can be found in the transfer case chart for your application. When converting to AMC blocks (except the 4.0L), a stock AMC bellhousing can be used - Jeep P/N 8133951, 3236291 or [AA P/N 712599](#) (Jeeps 1976-1983).

[P/N 716156](#) - AMC pilot bushing (required for all applications)

[P/N 712569](#) - AMC 4.0L to Ford truck transmission

[P/N 384180](#) - AMC clutch disc (required when the stock tranny has 1-1/16" 10 spline)

*SM420 & SM465*: GM truck 4 speeds with a granny low 1st gear. Ideal for rock-crawling.

[P/N 712570](#) - AMC engines to SM420 (4.686" bellhousing index)

[P/N 712571](#) - AMC engines to SM465 (5.125" bellhousing index)

*NV3550*: Jeep 5 speed with a 4.01:1 first gear ratio and 22% overdrive. We offer a full bellhousing to fit both the 4.0L & 4.2L stock 6 cylinder (with hydraulic clutch linkage) and also an adapter plate for 1980-86 CJs (retaining the stock mechanical linkage).

[P/N 712590](#) - AMC 4.0L & 4.2L engine to NV3550 (*This bhsg. will only work with the slave cylinder listed below*)

[P/N 716340](#) - Slave cylinder kit for the NV3550 using 712590 bellhousing

[P/N 712545](#) - NV3550 adapter plate to 1976-86 AMC bellhousing (T150 or T176) with mechanical linkage (using stock T150/T176 bellhousing or [AA P/N 712599](#))

*NV4500*: GM & Dodge truck 5 speeds with a 5.61 first gear ratio and 27% overdrive. The first two bellhousing kits listed are for GM NV4500s. The input shaft of the Dodge transmission can be changed to a GM style input, and then the 712568 bellhousing can be used with a Dodge NV4500 (Input shaft [Part No. 52-0221](#)).

[P/N 712571](#) - AMC engines to GM NV4500 (up to 1995)

[P/N 712568](#) - AMC engines to GM NV4500 (1996 & up)



The following adapter plates are designed around the Dodge NV4500. The Dodge transmission input shaft has a stickout length of 7-1/2". This allows us to use an adapter plate to couple to the stock AMC bellhousing.

[P/N 712553](#) - AMC engines (using Jeep bhsg. 8133951 or 3236291) to Dodge NV4500

[P/N 712555](#) - AX5 bhsg. to Dodge NV4500 (internal release bearing only)

[P/N 712559](#) - AX5 bhsg. to Dodge NV4500 (external slave cylinder only)

We offer full adapter packages for the NV4500 & NV3550 transmissions. Call for part numbers and pricing.

*NP435 to Jeep 4 Cyl.*: If the NV4500 transmission overdrive is not needed, we also offer an adapter to install the NP435 transmission to your Jeep 4 cylinder engine. Our kit 712555NP was created for the customer looking for the low first gear, but not the overdrive. The NP435 must be equipped with a 7.5" input shaft and the bellhousing requires a new clutch disc.

[P/N 712555NP](#) - NP435 adapter plate

[P/N 52-0232](#) - NP435 input

[P/N 716121](#) - 1-1/16" 4 cylinder clutch disc

**AX15 to Jeep 4Cyl:** This Jeep 5 speed was originally coupled to the Jeep 6 cylinder engine. Compared to the AX5 transmission, the gear ratios of the AX15 are very similar.; however, the AX15 is a heavy-duty 5 speed. We have designed two kits that make the AX15 a nice and easy retrofit. The kits we offer will work for either the external or internal slave cylinder. Both kits are an adapter plate design, retaining the stock 4 cylinder bellhousing. Kits include a new clutch disc. A new Centerforce pressure plate is available if needed. Depending on what model transfer case you have, a new input gear (sold separately) may be required.

**P/N 712563** - External slave cylinder kit

**P/N 712564** - Internal slave cylinder kit

**P/N CF361914** - 4 cylinder pressure plate

**GM TH350, TH400 & 700R:** This adapter kit was designed to allow the use of a GM TH350, TH400 or 700R transmission to the stock AMC straight 6 cylinder & V8s. This 5/8" thick steel plate allows you to couple any one of these transmissions to a stock Jeep flexplate and retain the GM torque converter.



**P/N 716138** - AMC engines to GM automatic (*needs a modified flexplate from list below*)

**P/N 716138-1** - 1988-2005 AMC 258/4.0L engines to GM automatic uses stock flexplate

Aftermarket flexplates we carry for this conversion:

**P/N 716138-A** AMC flexplate 304 & 360 (1972-87)

**P/N 716138-C** AMC flexplate 360 (1988-91)

**P/N 716138-D** AMC flexplate 401 (1972-76)

**P/N 716138-E** AMC flexplate 258 (1972-87)

When installing an automatic into a Jeep, some additional parts will need to be considered. A transmission shifter will be required and most applications need a flexible dipstick. We also carry a 52" long 700R T.V. cable under **P/N 716138-KD** or a kickdown cable for the TH350 52" long under **P/N 716138-KD1**.

When using the 716138 adapter kit on a *4.0L Jeep 6 cyl. engine*, we offer two options for retaining the flywheel sensor: **Part No. 716138-M** and **716138-N**. These kits do require you to modify the GM bellhousing, but they retain the sensor on the flexplate as it was factory. The **"M"** kit is for 1991-96 Jeeps and the **"N"** kit fits 1997-2004 Jeeps.

## SPECIAL CONVERSION BELLHOUSINGS

### *NV4500 BELLHOUSING ADAPTERS TO GM ENGINES:*

The NV4500 transmission has become a popular combination when installing a Chevy engine into a Jeep. Since the NV4500 is offered from General Motors or Dodge, the stock GM & Dodge bellhousing is not always compatible with the original Jeep clutch linkage. Depending on the model NV4500 you obtain, the full bellhousings kits have provisions to utilize your stock hydraulic or mechanical clutch linkage, while the adapter plate kit may require additional clutch linkage items to be purchased. If using one of our bellhousings with a Vortec engine, you may be limited on clutch linkage due to the exhaust manifolds.

#### GM NV4500

**P/N 712577** - GM NV4500 (1993-1995) to GM block, full bellhousing

**P/N 712576** - GM NV4500 (1996 & up) to GM block, full bellhousing

(Both these bellhousings come with a Chevy release arm and proper bellhousing boot)



#### DODGE NV4500

**P/N 712550** - Dodge NV4500 to GM 5.125" indexed adapter plate

This kit requires the use of a stock GM bellhousing. Clutch bracket part number **716638** may be necessary to aid with the clutch linkage connection. *Full bellhousing* **P/N 712576** can be used with a Dodge NV4500 by installing a new input shaft, **Part No. 52-0221**.

### *NV4500 BELLHOUSING ADAPTERS TO FORD ENGINES:*

The NV4500 transmission has also become a popular combination when installing a Ford engine into a Jeep. The adapters listed below are necessary to perform this conversion. Both these adapter plates utilize a stock Ford bellhousing 4.848" index. We do not offer brackets to install either hydraulic or mechanical clutch linkages for these applications. Some fabrication on your part will be required.



GM NV4500: **P/N 712552** - Chevy NV4500 (1995 only) to Ford 4.848" indexed adapter plate

DODGE NV4500: **P/N 712551** - Dodge NV4500 to Ford 4.848" indexed adapter plate



# SPECIAL CONVERSION BELLHOUSINGS (CON'T)

## **BUICK BELLHOUSING ADAPTERS:**

*Automatic:* The Buick V6 has always been a popular engine to swap into Jeep vehicles. When installing the Buick V6 to an automatic transmission, we recommend using a Buick automatic. When this option is not available we offer an adapter, [P/N 716134](#). This plate will mate a Chevy automatic to the Buick engine block. If you've obtained a Buick transmission and would like to adapt it to a Chevy block, we offer adapter plate [P/N 716129](#).

*Manual:* Due to the limited availability of stock bellhousings, a problem exists when trying to adapt the Buick engine to a manual transmission. Jeep was the only large volume manufacturer that ever used a manual transmission to a Buick engine. Needless to say, these bellhousings are extremely hard to locate. So in the early 1990s, we decided to design and manufacture a Buick V6 bellhousing to fit the 231, 225, and the rear-wheel drive 3.8L V6 engine for a manual transmission. To meet the various transmission requirements, we had to manufacture three different styles.

[P/N 712581](#) - Buick V6 to Chevy transmission bolt pattern with a 4.686" index

[P/N 712582](#) - Buick V6 to Chevy transmission bolt pattern with a 5.125" index

[P/N 712583](#) - Buick V6 to Jeep T4, T5, SR4, T176 & Ford transmissions

(These bellhousings are limited to a stock Buick 10-1/2" clutch assembly & 160 tooth flywheel)

(These bellhousings are not compatible with 3.8L transverse engines)

Bellhousing [P/N 712581](#) can be used in conjunction with many of the adapter plates on the previous pages.

## **FORD TRUCK 4SP TRANSMISSIONS TO GM V6/V8 ENGINE:**

In some of the short wheel-based vehicles, doing an engine & transmission swap is a game of inches when trying to retain the longest possible rear driveshaft length. In many cases, it's easier to accomplish this by coupling a GM engine to a Ford transmission to a Jeep transfer case.

We've designed a bellhousing that can retain the stock hydraulic or mechanical clutch linkage on most Jeep vehicles. The bellhousing requires an 11" Chevy flywheel and pressure plate with a Ford Clutch disc (Centerforce [P/N 281226](#)), and release bearing ([N1714](#)). The bellhousing comes complete with a new Chevy release arm, pilot bushings, and necessary hardware.

[P/N 712549](#) - Ford Truck 4sp (T18, T19 & NP435) to Chevy V6/V8 engine

## **GM 700R, TH350 & TH400 TRANSMISSIONS TO FORD 302 ENGINE:**



We offer an adapter plate and flywheel adapter to couple the GM automatics (TH350, TH400 & 700R) to the stock Ford engine. This kit is 3/8" thick and provides an excellent way of combining the GM transmission into a Ford-powered Jeep.

[P/N 712588-A](#) GM Transmission to Ford 302 1968-80 (28 oz. balance)

[P/N 712588-B](#) GM Transmission to Ford 302 1982-97 (50 oz. balance)

[P/N 712588-C](#) GM Transmission to Ford 302 1981

## **GM GEN III BELLHOUSING COMPONENTS:**

The Vortec engines have the same block bolt pattern as the early GM with the exception of one bolt hole. When bolting an earlier GM transmission or one of our bellhousings to the Vortec block, you will only be able to use 5 bolts. The Vortec engine used a different crank stickout from the back of the block and a different crank bolt pattern. This means the early style flywheels and flexplates will not bolt to the new Vortec blocks. The stock flywheels and flexplates from the Vortec blocks are also unique with regard to the clutch bolt pattern and the torque converter bolt pattern. We have designed two kits for either a manual transmission or an automatic.

Manual transmission is [P/N 712500M](#). This kit includes a flywheel, flywheel bolts, 11" pressure plate & disc, bolts for the pressure plate, pilot bushing spacer, release bearing, and metric bolts & washers for the bellhousing.

Automatic transmission is [P/N 712500A](#); and for the TH400 transmission [Part No. 712500A4](#). These kits include a modified flexplate (drilled for a early GM torque converter), flexplate bolts, crank spacer bushing.



# JEEP BELLHOUSING CHART

JEEP MANUAL TRANSMISSIONS	GM V8 & V6	FORD 302 V8	BUICK V6	AMC 4.0L	AMC V8 & 4.2L	AMC 4 CYL.
T-84 3 SPEED	N/A	N/A	N/A			
T-90 3 SPEED (REPLACING 4 CYL.) NOTE 1	712502 (4)	712505 (4)	712502 (3,4)			
T-90 3 SPEED (REPLACING 6 CYL.)	712502 (4)	712505 (4)	712502 (3,4)			
T-89 3 SPEED	N/A	N/A	N/A			
T-86 3 SPEED	712506 (4)	712508 (4)	712506 (3,4)			
T-14 3 SPEED (REPLACING V6)	712506 (4)	712508 (4)	712506 (3,4)			
T-14 3 SPEED (REPLACING STRAIGHT 6)	712510 (4)	712511 (4)	712510 (3,4)			
T-15 3 SPEED	712510 (4)	712511 (4)	712510 (3,4)			
T-150 3 SPEED	712527 (4)	FORD B/H	712527 (3,4)			
T-150 3 SPEED	712548 (2)	FORD B/H	712583 (2)			
T-18 (STICKOUT 7.375")	712528 (4)	712529 (4)	712528 (3,4)			
T-18 & T-98 (STICKOUT 7.750")	712512 (4)	712514 (4)	712512 (3,4)			
T-18 (STICKOUT 9.375")	712521 (4)	712522 (4)	712521 (3,4)			
T18 & T-98 (STICKOUT 10.250")	712517 (4)	712518 (4)	712517 (3,4)			
T18 (STICKOUT 13-14")	712516 (4)		712516 (3,4)			
T176 4 SPEED	712548 (2)	FORD B/H		712569 (2)	STOCK/712599	
T176 4 SPEED	712534 (4)	FORD B/H	712534 (3,4)	712569 (2)	STOCK/712599	
T4, T5, SR4	712548 (2)			712569 (2)	STOCK/712599	
PEUGEOT 5 SPEED	712566 (2)		712566 (2)		STOCK	
AX4,AX5	712565 (2,13)		712565 (2,13)	N/A	N/A	STOCK
AX15 5 SPEED	712567 (2)	712543 (4)	712567 (2)	STOCK		712563/64
NV3550 5 SPEED	712591 (2)	712544 (4)	712591 (2)	712590 (2)	712545	
<b>JEEP AUTOMATIC TRANS.</b>						
AMC TH400 (1974 & NEWER)	716133					
727 TORQUEFLITE	716131 (6)					
904 TORQUEFLITE	716132 (7)					
999 TORQUEFLITE	716131 (6)					
AW4						
<b>SCOUT MANUAL &amp; AUTOMATICS</b>						
T18,T19,T98 4-SPEED	712530 (4)	712531 (4)	712530 (4)			
T-90 3 SPEED NOTE 1	712502 (4)	712505 (4)	712502 (3,4)			
727 TORQUEFLITE	712572-A (12)					
<b>MISC. GM, FORD, DODGE TRANS.</b>						
GM SM420 * ALSO REQUIRES 716041	STOCK/712577*		712581 (2)	712570 (2)	712570 (2)	
GM SM465	STOCK/712577		712582 (2)	712571 (2)	712571 (2)	
FORD 4 SPEED (T18, T19 & NP435)	712549 (2)	STOCK	712583 (2)	712569 (2)	712569 (2)	712555NP
GM NV4500 (6.34:1 1ST GEAR)	712577 (2)			712571 (2)	712571 (2)	
GM NV4500 (PRE-96/5.61:1 GEAR RATIO)	712577 (2)	712552 (4)		712571 (2)	712571 (2)	
GM NV4500 (1996+)	712576 (2)			712568 (2)	712568 (2)	
DODGE NV4500 4WD GAS VERSION	712550 (5)	712551 (4)	712550 (3,5)		712553 (4)	712555 (9)
DODGE NV4500 4WD GAS VERSION	712550 (5)	712551 (4)	712550 (3,5)	712554 (8)		712559 (10)
CHEVY AUTOMATIC	STOCK	712588 (14)	716134	716138 (11)	716138 (11)	

## NOTES:

- REQUIRES A NEW INPUT SHAFT 716014
- THIS KIT IS A FULL BELLHOUSING
- OUR BUICK B/H CAN BE USED WITH THIS ADAPTER
- GM & BUICK KIT USES 4.686" B/H INDEX AND FORD, JEEP KIT USES A 4.848" B/H INDEX
- GM & BUICK KIT USES A 5.125" B/H INDEX
- THIS KIT HAS TWO VERSIONS REF. PAGE 28 of 29.
- THIS KIT IS SOLD FOR EITHER A EARLY (-B) OR LATE (-A) GM V8
- FOR USE WITH AX15 BELLHOUSING, INTERNAL HYDRAULIC ONLY
- FOR USE WITH AX5 BELLHOUSING, INTERNAL HYDRAULIC
- FOR USE WITH AX5 BELLHOUSING, EXTERNAL HYDRAULIC
- SEE PAGE 32 FOR OPTIONS
- THIS KIT ONLY WORKS ON 1985 & EARLIER BLOCK (NO 400CI)
- THE TRANSMISSION FOR THIS BHSG. HAS A 1"-14 SPL. INPUT SHAFT, WHICH REQUIRES A SPECIAL CLUTCH DISC
- THERE ARE 3 VERSIONS OF THIS KIT. THE CORRECT KIT DEPENDS ON THE YEAR OF YOUR FORD BLOCK.

# CLUTCH LINKAGE (Manual Transmissions Only):

Jeep has used both hydraulic and mechanical clutch linkages over the years. When doing an engine conversion, it is not uncommon to have clutch linkage changes. Many of these stock linkages can be retained with a few modifications. However, if you would like to improve your clutch linkage, we offer many upgrades from these stock linkages.

*Jeeps 1941-1971* - These Jeeps used a torque tube that pivots off the stock transfer case. The clutch pedal & bellhousing arm used rods that connected to this torque tube. We offer a new assembly that removes the torque tube & rods and replaces them with a sprocket and chain. This controller utilizes the stock pedal and clutch arm. It can be easily installed and offers a great mechanical advantage on any vehicle whether stock or converted ([Part No. 716640](#)). *Will not work on a stock 4cyl. application.*

*Jeeps 1970-1972 (Cable linkage)* - This linkage was only used by Jeep for a short time. This linkage proved to be very inadequate. We've never manufactured an upgrade linkage kit to replace this type of linkage, but it can be retained when doing a conversion.

*Jeeps 1941-1972 (Hydraulic linkage)* - Although these year Jeeps never came with this type of linkage, we have designed a new dual pedal and master cylinder assembly to upgrade your vehicle to a hydraulic linkage. These components cannot be used on vehicles with disc brakes.

[P/N 716117](#) - Dual Swing Pedals      [P/N 716116](#) - Slave Cylinder Kit  
[P/N 716118](#) - Dual Master Cylinder      [P/N 716287](#) - Slave Cylinder Bracket (GM block only)

*Jeeps 1972-1986 (Mechanical)* - These Jeeps use the same type of clutch torque tube as the earlier models, except the torque tube pivots off the bellhousing instead of the transfer case. This linkage uses a ball design pivot bracket that bolts to the stock bellhousing. When using one of our Chevy conversion bellhousings, the stock bracket can be retained. If you are using a GM bellhousing, we offer [Part No. 716638](#) which will provide you with an adjustable pivot location. If you would like to upgrade your clutch linkage, we offer a chain-operated clutch linkage. This kit is mounted to the original push rod that extends out of the firewall. ([P/N 716639](#))



*Jeeps 1980-1986 (Hydraulic linkage)* - Jeep first started using a hydraulic linkage in the 1980-82 CJ7s with the 151 Iron Duke engine. This slave cylinder bolts to the bellhousing using the same two holes as the mechanical linkage ball pivot bracket. If you are using one of our Chevy conversion bellhousings, this slave cylinder can easily be installed. If you wish to change to a hydraulic linkage, replacing the mechanical linkage, 1980-86 Jeeps had provisions to bolt a stock Jeep master cylinder to the firewall (Jeep master cylinder No. J5359822). We offer the stock slave cylinder assembly to work for this application ([Part No. 716331](#)).

*Jeeps 1987-2006 (Hydraulic linkage)* - These year series Jeeps all had hydraulic linkages and use both internal and external release mechanisms. When installing a new engine and retaining the stock 5 speed transmission, we normally use an external slave cylinder - except on Peugeot 5 speeds where the stock internal slave cylinder must be retained. The external slave cylinder for AX5, AX15 & NV3550 transmissions is found off of a 1975 Toyota Land Cruiser, [P/N 716213](#). The bellhousing kits for the AX5, AX15 & NV3550 includes a slave cylinder fitting to adapt this slave cylinder to a #3 or AN3 37 degree fitting, which is the same size fitting that Jeep used on the master cylinder. [P/N 716130H](#) can be used to couple the slave cylinder & master cylinder together.

*Jeeps 1987-1991 (Hydraulic linkage)*

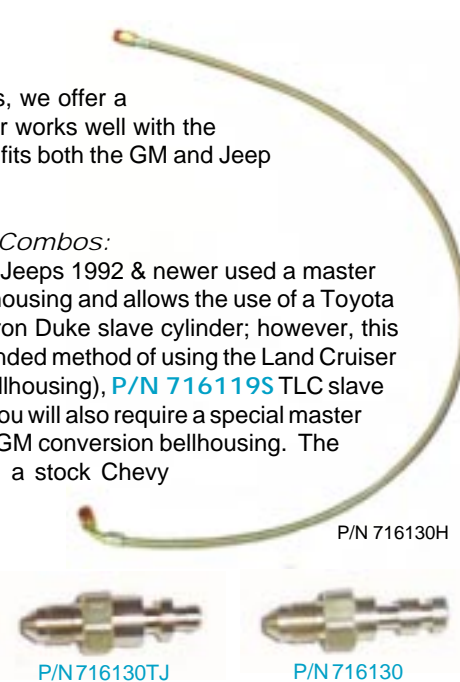
*New Engine & Transmissions Swaps & Transmission Retrofits:*

When you are installing a new drivetrain using one of our full conversion bellhousings, we offer a slave cylinder that bolts directly to our bellhousing. This Jeep Iron Duke slave cylinder works well with the 1987 to 1991 master cylinder (1-1/16" bore). This slave cylinder is [P/N 716331](#) and fits both the GM and Jeep conversion bellhousing we manufacture.

*Jeeps 1992-2006 (Hydraulic linkage) New Engine & Transmissions Swap Combos:*

When you are installing a new drivetrain using one of our full conversion bellhousings, Jeeps 1992 & newer used a master cylinder with a 3/4" cylinder bore. We offer a slave cylinder bracket that bolts to our bellhousing and allows the use of a Toyota Land Cruiser slave cylinder. This bellhousing does have the provision to use a Jeep Iron Duke slave cylinder; however, this slave cylinder is marginal when used with this YJ and TJ master cylinder. The recommended method of using the Land Cruiser slave cylinder would require the following: [P/N 716288](#) slave cylinder bracket (A.A. bellhousing), [P/N 716119S](#) TLC slave cylinder, [P/N 716215](#) slave cylinder fitting, and [P/N 716130H](#) slave cylinder hose. You will also require a special master cylinder fitting depending on the year of your vehicle. This assembly only works on our GM conversion bellhousing. The Jeep bellhousing will need a special bracket to be manufactured. If you are using a stock Chevy bellhousing, the slave cylinder bracket should be [P/N 716287](#).

*Jeep TJ 1997-2006* - Jeep TJs have a hard plastic hydraulic hose assembly. We offer a replacement stainless braided hose assembly with two fittings for the master and slave cylinders, [P/N 716130TJH](#).



P/N 716130H

P/N 716130TJ

P/N 716130

*Jeeps 1980-2006 (Master cylinders)* - Jeep master cylinders up to 1991 have threaded fittings, and 1992 & newer Jeep master cylinders have a pin-type connection. We offer hydraulic fittings to couple the stock master cylinder to the steel braided hose that we offer. The early master cylinders require [P/N 716130F](#), which is a threaded connector. On later model master cylinders, you will have two options. We have found that Jeep used two types of pin-style connectors. The difference seems to be between the YJ & TJ models. The photos on the previous page will assist you in the identification process. We suggest you check the fitting on your vehicle by matching it to one of these examples. To assist you with connecting these fittings to the slave cylinder, we also offer a 42" long stainless braided hose with #3 female fittings, [P/N 716130H](#). In some cases the 42" hose is not long enough; therefore, we carry a 12" extension hose, [P/N 716130E](#) OR 60" hose [P/N 716130-60](#) for when you're just short of the proper fit.

[P/N 716130H](#) - 42" hose with dash 3 fitting  
[P/N 716130-60](#) - 60" hose with dash 3 fitting

[P/N 716130E](#) - 12" hose with dash 3 fitting  
[P/N 716130F](#) - dash 3 fitting

*Jeeps 1987-1993 (Internal Hydraulic Release Bearings)* - We have had several requests for both a stainless braided hose kit for a replacement for the stock clutch hose line as well as a conversion one for those of you upgrading to a larger engine. The nice thing on this kit is it will work on either application. Our hose assembly kit offers two master cylinder fittings to ensure you have the correct application. Also included is a new 42" stainless braided hose and then a new adapter fitting to couple to the factory Jeep internal hydraulic release bearing.

[P/N 716130IR](#)- 1987-1993 Jeeps master cylinder hose kit with internal release bearing.

## CLUTCH RELEASE ARMS & BEARINGS:

On the clutch chart (next page), we have listed all Centerforce high diaphragm pressure plates that we stock. By using these pressure plates, we can standardize on just a few release arms and bearings.

The GM arm we use is the straight cast iron style that accepts the groove-type throw out bearing, [P/N 716176](#). On most of our conversion bellhousings and adapter plates, we recommend this part number (except on P/N 712548 bellhousing assembly).

On Ford bellhousing applications we have found a wide variety of release arms. The release arm that your stock Ford bellhousing has is your best choice. (The only Ford bellhousing we manufacture comes complete with a new release arm). The release arm normally accepts one of two types of release bearings: Up to 1981, Ford used a clip-type. On 1982 & newer, Ford (like GM) uses a groove-type.

Jeeps are similar to the early Fords in that they use a clip-type release bearing. The only application that we retain the stock Jeep throw out arm is with our conversion bellhousing P/N 712548 (vehicles 1976-86). When using this bellhousing on vehicles that were originally equipped with a 4 cylinder, you will need to purchase: [Part No. 716332](#) (boot), [716333](#) (spring) & [716334](#) (T/O arm).

The Centerforce pressure plates (listed on the chart next page) require a flat-faced release bearing. There are two things to consider regarding this: First, how does the bearing attach to the release arm? (Clip or Groove). Second, the external dimension of the transmission snout that the bearing rides on. (The GM retainer snout is 1.37", and Ford, Jeep & Dodge NV4500 is 1.43").

[P/N N1430](#) - 1.37" I.D. groove-type release bearing

[P/N 716311](#) - 1.43" I.D. clip-type release bearing

[\\*P/N N1714](#) - 1.43" I.D. groove-type release bearing

*\*(When using this bearing with a GM arm, the GM arm will require slight modifications)*



## CRANK PILOT BUSHINGS:

In most of the bellhousing adapters we sell, the crank pilot bushings are included. The bushings below list the outside & inside dimension and the overall length. **NOTE:** Late model Jeeps used a 2-piece bearing. The first piece is a bushing/bearing; the second piece is a steel sleeve that looks like part of the crank. This steel sleeve must be removed when doing a conversion.

Part No.	O.D.	x	I.D.	x	Length	Application	Part No.	O.D.	x	I.D.	x	Length	Application
716120	1.818		.590		.870	AMC/Jeep block	716122	1.377		.750		.500	Ford block
716148	1.090		.670		1.50	GM block	716149-NS	1.090		.471		1.50	GM block
716153	1.377		.590		.359	Ford block	716154	1.090		.590		1.00	GM block
716156	1.818		.670		.500	AMC/Jeep block	716156GM	1.818		.590		.600	AMC/Jeep
716158	1.090		.670		.750	GM block	716159	1.050		.590		.625	AMC/Jeep
716164	1.818		.750		.500	AMC/Jeep block	716166	1.818		.750		.750	AMC/Jeep
716168	1.090		.750		.750	GM block	716169	1.377		.750		.350	Ford block
716170	1.090		.590		.750	GM block	716171	1.090		.629		.750	GM block
716172	1.377		.625		.500	Ford block	716173	1.377		.670		.500	Ford block

**Clutch alignment tools:** These are great tools for installing a new clutch assembly. It allows you to align the clutch disc splines to the pilot bushing while bolting down the pressure plate to the flywheel. When it comes time to bolt the transmission to the bellhousing, you'll know you will have the correct alignment.

716228 1-1/8" 10 spline .590 pilot tip

716229 1-1/16" 10 spline .670 pilot tip

716230 1" 14 spline .590 pilot tip



716231 1-1/8" 21 spline .460 pilot tip

716232 1-1/8" 10 spline .750 pilot tip.



## JEEP CLUTCH SELECTION CHART

The Centerforce or Luk clutches and flywheels listed below are recommended when using Advance Adapters conversion components. We design our adapter kits around these clutch designs. *If clutch components from other manufacturers are used, we cannot guarantee proper clutch operation.* When selecting a clutch assembly for one of our full conversion bellhousings, refer to the Bellhousing Adapter Information section starting on Page 27 for the clutch diameter recommendations.

	1-1/8" 10 SPLINE ALL GM TRANS. NV4500, JEEP T5, T176, T90, T86, T14, T15, T18	1-1/16" 10 SPLINE ALL FORD TRANS. JEEP T150 JEEPT18 1976-79		1-1/8" 10 SPLINE ALL GM TRANS. NV4500, JEEP T5, T176, T90, T86, T14, T15, T18	1-1/16" 10 SPL. ALL FORD TRANS. JEEP T150 JEEPT18 1976-79
<b>GM 10-1/2" CLUTCH</b> PRESSURE PLATE CLUTCH DISC 153 FLYWHEEL UP TO 85 153 FLYWHEEL 86 & UP	**LC360056 CF360056 383271 CF700100 CF700170	CF360056 381021 CF700100 CF700170	<b>FORD 10" CLUTCH</b> PRESSURE PLATE CLUTCH DISC 157 FLYWHEEL	CF360030 383303 STOCK	CF360030 280490 STOCK
<b>GM 11" CLUTCH</b> PRESSURE PLATE CLUTCH DISC 168 FLYWHEEL UP TO 85 168 FLYWHEEL 86 & UP	**LC165552 CF165552 383735 CF700120 CF700160	**LC281226 CF165552 281226 CF700120 CF700160	<b>FORD 11" CLUTCH</b> PRESSURE PLATE (3 sets of 2) (6 bolts evenly spaced) CLUTCH DISC 164 FLYWHEEL	CF260000 CF360049 383735 STOCK	CF260000 CF360049 281226 STOCK
<b>AMC 10-1/2" CLUTCH</b> PRESSURE PLATE  CLUTCH DISC FLYWHEEL	CF361675 (MECH) CF361897(80-85 HYD) CF361890(86&up HYD) 384193 STOCK	CF361675 (MECH) CF361897(80-85 HYD) CF361890(86&up HYD) 384180 STOCK	<b>BUICK 10-1/2" CLUTCH</b> PRESSURE PLATE CLUTCH DISC 160 FLYWHEEL SPECIAL PRESSURE PLATE FOR RECESSED 225 FLYWHEEL	CF360056 383271 *CF700010 CF361662 383271 (disc) N1178 (release brg.)	CF360056 381021 *CF700010

\*This flywheel is designed for a Buick even fire block. Before installing, the flywheel should be balanced to the Buick engine crank.

\*\*This is a Luk clutch assembly. The kit includes a pressure plate, disc, bearing, and alignment tool.

# JEEP RADIATORS

When installing a larger engine into any Jeep vehicle, the radiator is normally an area that needs attention. We offer a choice of either a copper/brass radiator or an aluminum radiator. Our trademark name "Rad-A-Kool" radiators cover Jeep applications from 1972 to current Jeep models. On earlier model Jeeps, we recommend having a custom radiator built or your stock radiator modified. For radiator specifications, cooling tips along with additional cooling components, see Pages 78-79.



## *Chevy to 1972-1986 Jeep CJ*

- P/N 716685 - Conversion Radiator CJ5 & CJ7 with trans cooler (24-3/4"W x 20-1/2"H x 3"D)(Copper/Brass)
- P/N 716692-AA - Conversion Radiator w/Manual Transmission (Aluminum)
- P/N 716692-LS - Conversion Radiator or GM LS1/Gen 3 engine w/Manual Transmission (Aluminum)
- P/N 716692-LT - Conversion Radiator for GM LT1 w/Manual Transmission (Aluminum)
- P/N 716690-AA - Conversion Radiator w/Automatic Transmission (Aluminum)
- P/N 716690-LS - Conversion Radiator for GM LS1/Gen 3 engine w/Automatic Transmission (Aluminum)
- P/N 716690-LT - Conversion Radiator for GM LT1 w/Automatic Transmission (Aluminum)

## *Chevy to 1987-2005 Jeep Wrangler*

- P/N 716687 - Conversion Radiator with Trans cooler (20"W x 22"H x 2-1/2"D)(Copper/Brass)
- P/N 716693-AA - Conversion Radiator w/Manual Transmission (Aluminum)
- P/N 716693-LS - Conversion Radiator for GM LS1/Gen 3 engine w/Manual Transmission (Aluminum)
- P/N 716693-LT - Conversion Radiator for GM LT1 w/Manual Transmission (Aluminum)
- P/N 716691-AA - Conversion Radiator w/Automatic Transmission (Aluminum)
- P/N 716691-LS - Conversion Radiator for GM LS1/Gen 3 engine w/Automatic Transmission (Aluminum)
- P/N 716691-LT - Conversion Radiator for GM LT1 w/Automatic Transmission (Aluminum)

## *Ford Small Block to 1972-2005 Jeeps*

- P/N 716691-FA - Conversion Radiator 1987-05 w/Automatic Transmission (Aluminum)
- P/N 716692-FM - Conversion Radiator 1972-86 w/Manual Transmission (Aluminum)
- P/N 716693-FM - Conversion Radiator 1987-05w/Manual Transmission (Aluminum)

## *Dodge 318/360 to 1987-2005 Jeep Wrangler*

- P/N 716687 - Conversion Radiator with Trans cooler (20"W x 22"H x 2-1/2"D)(Copper/Brass)
- P/N 716693-AA - Conversion Radiator w/Manual Transmission (Aluminum)
- P/N 716691-AA - Conversion Radiator w/Automatic Transmission (Aluminum)

## *Dodge Hemi to 1997-2005 Jeep TJs*

- P/N 716688-AB - Conversion Radiator w/Manual Transmission (Aluminum)
- P/N 716688-AA - Conversion Radiator w/Automatic Transmission (Aluminum)
- P/N 716607 - Hemi A/C lines

**Spal Fan Kits:** The Spal fans we offer are the high performance curved bladed pusher or puller fans. These 16" fans are 16.3" tall, 15.75" wide, and 3.39" deep at the fan's motor. The fans are rated at 2070 CFM and being that they are pre-shrouded, they are ideal for cooling larger engines. Our fan kits come complete with the needed wiring harness, which is compatible with both positive and negative ground vehicles. The 3/8" pipe thread sending unit is designed to turn the fan on at 185 degrees and off at 170 degrees. The kit comes with a 40 amp relay, a fuse holder, and all other necessary hardware. In addition, our kit also includes mounting brackets for the fan to the radiator. The mounting brackets are designed for our aluminum radiators, however; we can supply you with brackets to fit our copper/brass radiators upon request.

- 716670 - Puller Fan Kit
- 716671 - Pusher Fan Kit



**Transmission Cooler Lines Kit:** As you finish up a drivetrain conversion, there are always a few last minute items that need attention. One of these is the transmission cooler lines. You can surely bend up custom ridged cooler lines and route them up to the radiator or splice into your old lines if your vehicle had a stock automatic. We've found that the ridged lines are sometimes a pain to fit properly, and splicing into your stock lines may not always be the cleanest installation. We now offer a flexible stainless steel hose kit. These hoses are simple to route and easily installed onto the radiator. The seven foot long hoses are long enough to fit most applications while having a bit of extra hose to allow for body and frame flex. Our kit includes two 7' stainless steel outer braid lines with Teflon inner tubing.

The ends have dash 6 female A.N. fittings that are pre-crimped to the hose ends. The kit also includes two 1/4" MPT to dash 6 Male fittings for aluminum Rad-a-kool radiators, and two 5/16" inverted flare to dash 6 Male fittings for TH350 / TH400 / 700R4 transmissions.

- P/N 23-1500 - Transmission Cooler Lines Kit
- P/N 23-1501 - Transmission Cooler Lines Kit 700R/4L60E

# JEEP ENGINE MOUNT SELECTION CHART

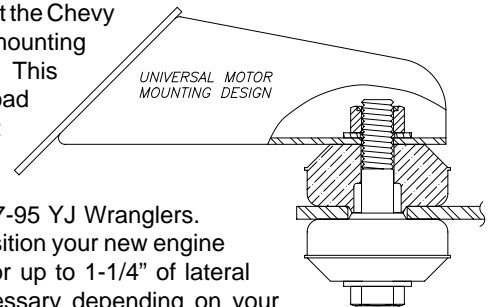
Advance Adapters has been doing engine conversions long before most of our competitors were even born. We learned the hard way to count only on top-quality, proven design installations. Our mounts are secured with a 5/8" diameter bolt between the engine brace and frame bracket. No rubber vulcanization failure will let you down. To assure that you have the premier engine mounts that we offer, make sure our name is on the box. *Do not accept look-a-like takeoffs.* We are the "4-Wheel Drive Experts" and have the quality to prove it.

	1941-1971 JEEP UNIVERSALS	1972-1986 JEEP & SCOUT UNIVERSALS	1941-1984 JEEP WAGON & TRUCKS	1987-1996 JEEP YJ WRANGLERS	1997-2005 JEEP TJ WRANGLERS	1984-2001 JEEP CHEROKEES XJ 4WD
CHEVY V8 ALL SMALL BLOCKS	713001 NOTE 1	713007 <sup>(1)</sup> or 713089 <sup>(2,6,11)</sup>	713007 NOTE 1	713001-S <sup>(1)</sup> or 713087 <sup>(2,4,6,7,8)</sup>	713090 <sup>(2,3,6,9)</sup> or 713091 <sup>(1,3,6,7)</sup>	713109 NOTE 2,4,6
CHEVY GEN. III V8 & LS1 BLOCKS		713088 NOTE 1	713088 NOTE 1	713088 NOTE 1	NOTES 1,3,6,7,9 713092 713093 PLUS <sup>(10)</sup>	
CHEVY V8 LT1 SMALL BLOCKS	713005 NOTE 1	713005 NOTE 1	713005 NOTE 1	713005 NOTE 1		
CHEVY V6 4.3 & 229 BLOCKS	713001 NOTE 1	713007 NOTE 1	713007 NOTE 1	713001-S NOTE 1	713096 NOTE 1,3,6,7,9	713117 NOTE 2,4,6
BUICK V6 231 & 3.8 BLOCKS	713003 <sup>(1,5)</sup> or 713011 <sup>(1)</sup>	713011 NOTE 1	713011 NOTE 1	713011 NOTE 1		
FORD V8 ALL SMALL BLOCKS	713002 NOTE 1	713006 NOTE 1	713006 NOTE 1	713006 NOTE 1		
AMC V8 304,360 & 401 BLOCKS	713120 NOTE 1	713120 NOTE 1	713120 NOTE 1			
DODGE 318/360 BLOCKS		713095 NOTE 1	713095 NOTE 1	713095 NOTE 1	713094 NOTE 1,6,7,9	

**NOTES:**

- (1) REMOVE STOCK MOUNTS & WELD-IN NEW MOUNTS
- (2) REMOVE STOCK MOUNTS & BOLT-IN NEW MOUNTS
- (3) A 1" BODY LIFT NEEDED
- (4) SUSPENSION LIFT IS REQUIRED
- (5) REQUIRES STOCK RUBBER MOUNTS (NOT SUPPLIED IN KIT)
- (6) DRIVELINE MODS. MAY BE REQUIRED
- (7) REPLACES A JEEP 6 CYLINDER
- (8) WILL NOT WORK WITH AFTER MARKET OIL PANS
- (9) REPLACES A JEEP 4 CYLINDER
- (10) ENGINE W/ A/C REQUIRES FRAMES MODS. & WELDING
- (11) JEEP CJ7 MOUNT ONLY

**Mounts 713001, 713002, 713006, 713007 & 713011:** These motor mounts fit the Chevy V6/V8 Buick V6 and Ford V8. The V6/V8 mounts are a complete frame-to-block mounting system that uses a dual rubber donut design locked together with a hardened bolt. This combination offers a positive means of securing the engine for the most severe offroad conditions. Our universal motor mounts can be adjusted to accommodate the best possible engine location.



**713087 mounts:** This bolt-in saddle mount kit is designed to be used with 1987-95 YJ Wranglers. This mount fits GM V8s with the stock GM oil pan *only*. This mount is designed to position your new engine in the best location possible; however, it does allow for up to 1-1/4" of lateral adjustment. Driveshaft modifications may be necessary depending on your application. An *electric fuel pump* is required for ALL applications. This motor mount will not work with LT1 or 383 Stroker motors.



**Jeep TJ Hemi Mounts:** We now offer motor mounts for the Hemi engines. The mounts are designed to replace both the stock 4 & 6 cylinder Jeep engines. A 1" body lift is required. The mounts are a weld-in set; however, we give you the exact location for placement, [P/N 713098](#). We also carry stock exhaust manifolds under [P/N 716601](#), and the gas pedal bracket under [P/N 716609](#).

*Ford 302 Bolt-in Mounts for CJ7 & YJ Wranglers:* This cradle motor mount bolts directly to your CJ7 & YJ Jeep. By simply removing your stock motor mounts, this mount will properly position your 302 for header, fan & radiator clearance. No welding is required on P/N 713131 & 713132. Part No. 713130 requires the frame brackets to be welded to the frame. Most applications will not require driveline modifications. **Note:** We do not offer any conversion headers to fit with these motor mounts. Stock manifolds are your best choice.

- P/N 713130 - Ford 302 to 1987-95 YJ Wrangler
- P/N 713131 - Ford 302 to 1987-95 YJ Wrangler (replacing 4 cyl.)
- P/N 713132 - Ford 302 to 1980-86 CJ7

*Advance Adapters "Off Road" Mounts:* We now carry "Off Road" series motor mounts for the hard core 4-wheel enthusiast. These mounts are a weld-in design that use a horizontal neoprene isolator. These mounts are designed to handle the abuse of the roughest type of trail.

- P/N 713200 - CJ5 & CJ7 GM V8 Mounts
- P/N 713202 - CJ5 & CJ7 AMC V8 Mounts
- P/N 713204 - CJ5 & CJ7 S/B Ford Mounts
- P/N 713206 - Jeep YJ & TJ Stock Rubber Mount Replacement

## MISCELLANEOUS BRACKETS & LINKAGES

### LOKAR PERFORMANCE PRODUCTS:

Listed on Pages 80 & 81 are the performance components we carry from Lokar Industries. Items such as flexible dipsticks, backup light & neutral safety switches, kickdown / throttle cables, and brackets are available.



P/N 717038

## JEEP EXHAUST HEADERS

Ninety percent of our product line covers engine conversion applications; and since we are known as the "4-Wheel Drive Experts", naturally we had to design & manufacture our own quality header systems that complement the engine conversion business.

Our header flanges are 3/8" thick, and all of our primary tubes are constructed with 16 gauge tubing with a 2-1/2" 3 bolt collector ring. Each design is available in either a commercial chrome finish or a non-plated version, ready for your painting or custom coating. **NOTE:** Our headers will not fit Chevy small blocks with angle plug heads.

Our *written guarantee* states that if the headers do not fit your engine conversion exactly as you see fit, then simply return them for a full refund. You will only be responsible for the freight charges. *We do not warranty the chrome plating on our exhaust systems, and the use of aftermarket header wrap products will void the header warranty.* Over 40 years of continual fine tuning and adjustments have made the Advance Adapters headers a choice for all engine conversion installations.

**SPECIAL HEADERS:** We now offer a universal header like our 717011 headers that work with angle plug and D-port heads.

- P/N 717015 - Fits blocks with a std port head with angle plugs.
- P/N 717016 - Fits D-port heads with angle plugs.



P/N 717056



P/N 717090




P/N 717011

We also carry small block Chevy & Ford header gaskets as well as Buick V6 & Chevy V6 gaskets.

- P/N 716550 - Chevy V8 gasket (pair)
- P/N 716551 - Chevy V6 gasket (pair)
- P/N 716552 - SB Ford V8 gasket (pair)
- P/N 716554 - Buick V6 gasket (pair)
- P/N 716562 - 2-1/2" collector gasket (pair)



# JEEP EXHAUST HEADERS CHART

	CHEVY V8 S.B.ENGINES <i>(notes 3 &amp; 4)</i>	CHEVY V6 4.3 & 229 <i>(notes 3 &amp; 4)</i>	VORTEC GEN III V8 <i>(notes 3 &amp; 4)</i>	BUICK V6 225 & 231 <i>(notes 3 &amp; 4)</i>	FORD V8 S.B.ENGINES <i>(notes 3 &amp; 4)</i>
<b>JEEP UNIV. SQUARE FENDER</b> CJ2A, CJ3B, MB & M38	717001 (1) **717011 (2)	717019 (1)		717005 (1)	717004 (1)
<b>JEEP UNIV. ROUND FENDER</b> CJ5, CJ6, CJ7 & M38A1	717001 (1) **717011 (2)	717002 (1)		717020 (1)	717012 (2,5) 717003 (1)
<b>JEEP WAGON &amp; TRUCKS</b> 1941-1986	717010 (2)				717012 (2,5) 717012 (2,5)
<b>JEEPSTEER 1966-71</b> STOCK V6				717021 (1)	
<b>JEEP UNIV. 1972-75</b> CJ5	717035 (1) **717011 (2)	717056 (2,6)			717034 (1) 717012 (2,5)
<b>JEEP UNIV. 1976-86</b> CJ5, CJ7 & CJ8	717038 (1) 717011 (2)	717056 (2,6)	717040 (1) 717043 (2, 7)	717042 (1)	717034 (1) 717012 (2,5)
<b>JEEP YJ WRANGLERS 1987-96</b> YJ	717039 (1) **717011 (2)	717056 (2,6)	717043 (2, 7)		717012 (2,5)
<b>JEEP TJ WRANGLERS 1997-05</b> TJ	717090 (2)		TRUCK MANIFOLDS		
<b>JEEP CHEROKEE 1984-95</b> XJ, ZJ	717053 (2)	717056 (2,6)			

**NOTES:**

- (1) FENDERWELL HEADER. SOME MINOR MODIFICATIONS TO THE FENDERWELL ARE REQUIRED.
  - (2) INSIDE THE FRAME RAIL HEADER.
  - (3) THESE HEADERS ARE NOT LEGAL FOR USE ON POLLUTION-CONTROLLED VEHICLES.
  - (4) HEADERS CAN BE ORDERED IN CHROME OR NON-PLATED FINISH (ADD AN NP AFTER PART NUMBER)
  - (5) FOR STARTER CLEARANCE, YOU MAY NEED TO USE A 157 TOOTH FLYWHEEL.
  - (6) THIS HEADER WILL INTERFERE WITH MOST RELEASE ARMS ON MANUAL TRANSMISSIONS.
  - (7) THIS HEADER IS MADE WITH 1-1/2" TUBING AND DOES NOT COME WITH A FLANGE GASKET.
- \*\* This header is offered in Stainless P/N 717011S, Ceramic coated P/N 717011Z, or plain steel P/N 717011-NP

## SAGINAW STEERING CONVERSIONS FOR JEEPS & TOYOTA LAND CRUISERS

Since the steering conversion for both Jeeps and Toyota Land Cruisers are similar, this section will cover both applications.

The Saginaw steering conversions for these vehicles is a proven advantage. The problem with stock steering on both of these vehicles is excessive play or backlash. In addition to offering a sound positive means of controlling your vehicle, it can be performed at a reasonable cost. Additional advantages include exhaust clearance, engine positioning, and custom steering columns.

Before you consider this conversion we recommend that you thoroughly read and understand the complete installation procedure. For detailed procedures, call for a set of installation instructions or view them on line at [www.advanceadapters.com](http://www.advanceadapters.com) in the Tech Vault. *Do not take shortcuts on steering installations.* We recommend that these conversions be installed by a qualified technician. The control of your vehicle depends on your steering performance. Failure of your steering system can result in severe damage and possible injury.

### SAGINAW STEERING KITS:

Jeeps prior to 1971 & Toyota Land Cruiser FJ40 series (up to 1980) both had basically the same stock configuration. It is simply a gear box at the base of the steering column which controls a drag link towards the front of the vehicle. The bell crank is mounted on the front crossmember or axle and uses a push-pull affect for steering. Because there are many motions and joints on this system, excessive free play and backlash develops.

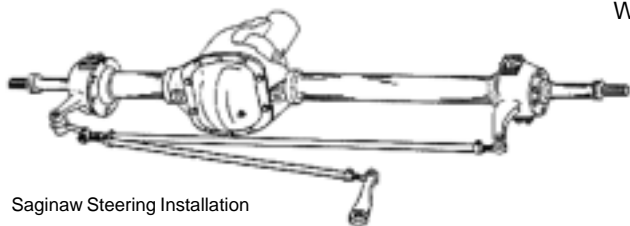


Stock Illustration



Stock with long tie rod

The Saginaw steering system requires the elimination of the stock gear box and bell crank. The new steering box is mounted on the inside of the left front frame rail, just behind the bumper. Although this sounds simple, there are several things that must be considered before the installation can be completed. Such things include power or manual steering, steering column type, steering box location, motor mount clearance on steering shaft, tie rod size & length, and winch clearance.



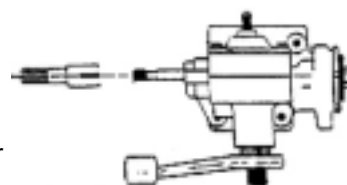
Saginaw Steering Installation

We offer 4 conversion kits for each vehicle. These kits are either power or manual steering conversions. None of these kits supply the steering box (manual or power), or steering pump and hoses (power applications). To help identify the kit necessary for your conversion, please consider the following information. *Note: Full steering kits should not be ordered when converting Jeep Pickups & Wagons, since special tie rods will be required.*

## POWER & MANUAL STEERING BOX SELECTION:

Make sure the box that you select has the same basic configuration as the ones illustrated. Both Power & Manual boxes can be found in the 1960s & early 1970 GM cars or Jeep vehicles 1972 & newer. We also carry new power boxes & pumps which are as follows.

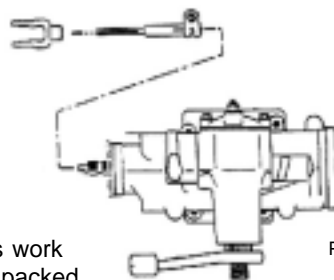
We stock Saginaw power steering boxes from *PSC* and *The TRITON*. These steering boxes are ideal for the offroad enthusiast that uses their vehicle as a daily driver. These units use a large piston and have a 16:1 turning ratio. The valving is designed for a more firm and precise steering effort. This gives you more stability and control at highway speeds, and less oversteer offroad. These units also help stabilize larger tires giving the vehicle a more stable feel on the highway. The PSC boxes are new and the Triton boxes are rebuilt.



Manual Steering Box

**P/N 716881-P** - PSC Saginaw power steering box with o-ring fittings (.730 dia., 36 spline input shaft)

**P/N 716882** - Triton Saginaw power steering box with o-ring fittings (.730 dia., 30 spline input shaft)



Power Steering Box

We also offer a complement power steering pump from *PSC*. These pumps work well when combined with the steering boxes mentioned above. Larger cam packed with a larger rotor and vanes enables these pumps to flow 3.4 gallons per minute, and produce 1500 psi. The custom ported housing makes for less flow restriction, allowing the pump to run stronger and cooler.

**P/N 716885-P** - Power steering pump w/ o-ring fitting, (does not include pulley)

**P/N 716886-P** - Power steering pump w/ o-ring fitting and remote reservoir, (does not include pulley)

**P/N 716887-P** - Power steering pressure hose kit for o-ring box

**P/N 716888-P** - Power steering return hose kit for o-ring box

**P/N 716889-P** - Power steering heat sink cooler kit

For 1975 to 1981 Land Cruisers keeping the stock 6 cylinder engine, there is now the option of installing a power steering pump onto the stock 6 cylinder. We offer bracket **P/N 716842** to install the Saginaw pump to the Toyota straight 6 cylinder.



## POWER & MANUAL STEERING BOX SPUD SHAFTS:

The Saginaw steering box gets mounted just behind the front bumper. This requires a clearance hole to be cut in the stock support located under the radiator for the steering shaft. Since the Saginaw steering shaft has a short stickout from the box, a spud shaft (or extension shaft) must be added to the steering box to extend the steering shaft into the engine compartment. There are three different spline sizes on the different Saginaw power and manual boxes. Both Power and Manual boxes have two spline sizes that mate to our spud shaft.

Our complete manual steering kits are supplied with a .730" dia. 30 spline female spud shaft, and on our power steering kits, we supply the most common spud shaft which is a .800" dia. 36 spline female.

**P/N 716834-30** - Spud shaft .730" dia. 30 spline female x .730" dia. 30 spline male (power & manual boxes)

**P/N 716834-36** - Spud shaft .730" dia. 36 spline female x .730" dia. 36 spline male (power & manual boxes)

**P/N 716835** - Spud shaft .800" dia. 36 spline female x .800" dia. 36 spline male (power boxes only)

## STEERING COLUMNS:

The stock steering column is the easiest option when installing the Saginaw steering. Our kits include the necessary column bushings and firewall mounting plates for your installation. If you are planning to use a custom steering column, some fabrication will be necessary for mounting a custom column on a Jeep. We now offer a custom column mount for the Toyota Land Cruisers. **P/N 716865** and **716866** fit GM 2" and 2-1/4" columns.

When using a new steering column you will most likely need a different yoke assemblies to connect a custom steering column shaft to our Saginaw steering components.

**P/N 716848** - 1" 48 spline Universal yoke (GM columns)

**P/N 716849** - 1" DD Universal yoke (GM and Ford)

**P/N 716850** - 3/4" x 36 spline Universal yoke (GM and Ford)

(The dimensions represent the column side of these yokes only. The opposite side of these yokes is a 3/4" DD)



Pre-1972 column

### *Land Cruisers Columns ONLY:*

There are 3 different column configurations used on FJ40 Land Cruisers. The steering kits that we offer provide coverage to retain the stock column by supplying either a support bushing (for vehicles up 1972), or a 4-bolt support bearing (for vehicles 1973 to 1979). On FJ40s 1980 & newer, we have seen a change on the column mounting to a 3-bolt mount and an increase in the steering shaft diameter. We currently do not offer a support bushing or bearing to fit these model years.



Pre-1972 column bushing



1973-79 column plate



1980 & up column plate



## BORGESON / FLAMING RIVER:

These kits are the newest and most recommended style that we manufacture. The steering shaft assembly connects directly to our steering spud shaft. This collapsible slip steering shaft extends to the firewall and can be adjusted to any length. With a 3/4" DD connection (round shaft having 2 flat surfaces), it is easily coupled to any of the yokes supplied in the kit or listed under the Custom Steering Column subheading. These kits require welding on the steering box mounting plate, frame enclosures, and firewall mounting plate.

**P/N 716805** - Jeep conversion kit, Manual Saginaw box

**P/N 716806** - Jeep conversion kit, Power Saginaw box (shown)

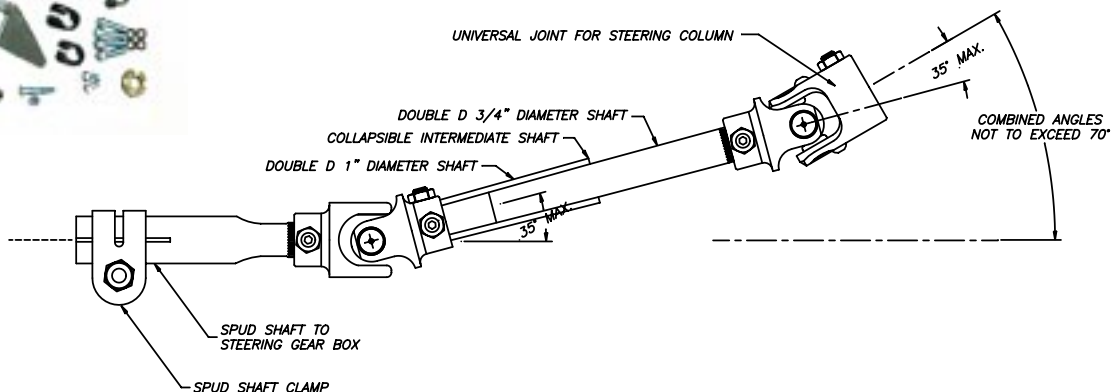
**P/N 716806A** - Jeep conversion kit, Power Saginaw box  
(does not include column yoke and steering spud shaft.)

**P/N 716807** - Land Cruiser kit, Manual Saginaw box

**P/N 716808** - Land Cruiser kit, Power Saginaw box

**P/N 716808A** - Land Cruiser kit, Power Saginaw box  
(does not include column yoke and steering spud shaft.)

(These kits do not include boxes or pumps)



## STEERING COMPONENTS:

Although we manufacture and sell complete kits for Saginaw steering conversions, we do offer the individual components.

- P/N 716810 - Stock Jeep column bushing
- P/N 716811 - Stock Land Cruiser column bushing (up to 1972)
- P/N 716812 - Tie rod clamp
- P/N 716814 - Spud shaft clamp
- P/N 716816 - Manual pitman arm
- P/N 716817 - Power pitman arm
- P/N 716819 - Center socket tie rod end
- P/N 716820 - Left hand thread tie rod end
- P/N 716821 - Right hand thread tie rod end
- P/N 716822 - Land Cruiser column mounting plate
- P/N 716823 - Jeep column mounting plate
- P/N 716824 - Jeep frame enclosures
- P/N 716826 - Manual steering box mounting plate (Jeeps)
- P/N 716829 - Jeep tie rod 22-1/2"
- P/N 716830 - Jeep tie rod 35-1/2"

(custom tie rods can be made for longer lengths)

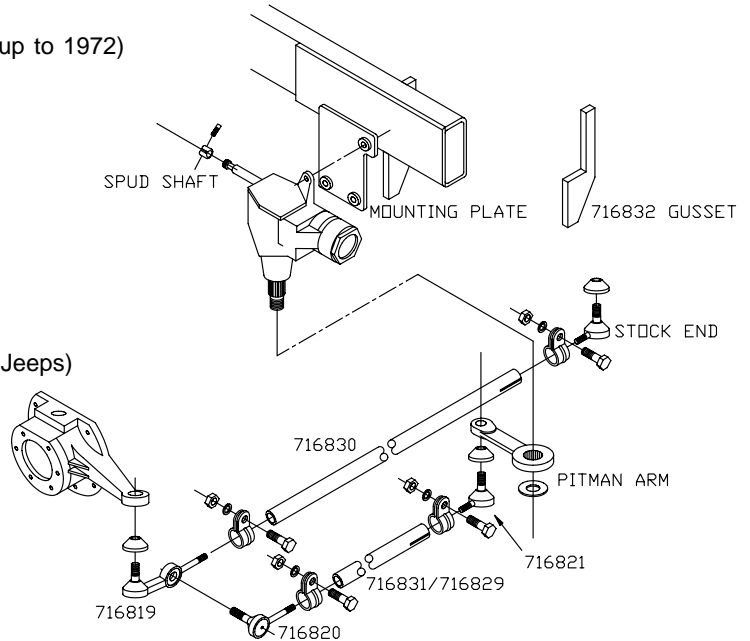


Land Cruiser custom steering column mount for 2" & 2-1/4" diameter columns.

**1987-95 YJ Steering Box Mounting Plate:** Steer your Jeep YJ easy without interference. This new mounting plate moves the YJ steering box 1" forward, increasing the clearance between the tie rod and drag link. This provides more clearance making it less likely to have steering bind. This mounting plate is made with 1/2" steel for strength and reliability. [P/N 716855](#)

**1975-95 Steering Shaft Assemblies:** Jeep's original steering shaft assembly was not designed for the added stress of body lifts and oversize tires. We carry Borgeson replacement assemblies which have a telescoping shaft with two precision needle bearing u-joints. The steering assembly is easy to install with common hand tools. Once installed, you will experience much tighter and more responsive steering.

- P/N 716869 - 75-86 CJ Steering Shaft MANUAL BOX
- P/N 716870 - 75-86 CJ Steering Shaft POWER BOX
- P/N 716871 - YJ Steering Shaft POWER & MANUAL BOXES



- P/N 716831 - Land Cruiser tie rod 25-1/2"
- P/N 716832 - Manual box mounting plate gusset
- P/N 716833 - Land Cruiser column bushing (1972 - 1979)
- P/N 716834-30 - Spud shaft .730" dia. x 30T (manual & power)
- P/N 716834-36 - Spud shaft .730" dia. x 36T (manual)
- P/N 716835 - Spud shaft .800" dia. x 36T (power)
- P/N 716838 - Power steering mounting plate for Jeeps
- P/N 716839 - Power & manual steering box mounting plate for L/C
- P/N 716842 - Land Cruiser 6 cylinder power steering pump bracket
- P/N 716843 - Universal Joint 1" DD x 7/8"
- P/N 716844 - Universal Joint 3/4" x .800 36 Spline
- P/N 716845 - Universal Joint 1" DD x 3/4" - 36 Spline
- P/N 716846 - Universal Joint 1" DD x .800 36 Spline
- P/N 716847 - Jeep column shaft x 3/4" DD
- P/N 716848 - Universal Joint 3/4" DD x 1"-48 GM
- P/N 716849 - Universal Joint 3/4" DD x 1"DD
- P/N 716850 - Universal Joint 3/4" DD x 3/4"-36
- P/N 716851 - Land Cruiser column shaft 3/4" x 3/4" DD
- P/N 716852 - Universal Joint 3/4"-36 x 3/4"-36
- P/N 716853 - Universal Joint 3/4" DD x 3/4"-30
- P/N 716854 - Universal Joint 1" DD x 3/4"-30
- P/N 716855 - Jeep YJ steering box mount
- P/N 716860 - Steering shaft support bushing
- P/N 716862 - Flaming River slip yoke steering shaft & yoke assembly 2" dia. steering column floor mount (TLC only)
- P/N 716865 - Steering shaft, slip, 3/4"DD x 1" DD (no yoke)
- P/N 716863 - Steering shaft, slip, 3/4"DD x 1" DD (no yoke)
- P/N 716866 - 2-1/4" dia. steering column floor mount (TLC only)

# S10/S15 ENGINE & TRANSMISSION CONVERSIONS

Advance Adapters has been developing engine and transmission parts for the popular GM S-series trucks and mini Blazers for a number of years and have found the S10/S15 easy vehicles to convert. We've strived to research every possible conversion problem or difficulty that you might encounter when converting your vehicle. For more detailed conversion installation procedures, we recommend you download our GM & Chevy instruction manual located at [www.advanceadapters.com](http://www.advanceadapters.com) under the **Tech Vault**.

The parts we manufacture are available for either Chevy V8 or Chevy 4.3 V6, retrofitting the stock S10/S15 2.8L V6, 4 cylinder and stock 4.3 V6. Because of the diversity of applications, we do *not* offer complete conversion packages. We have grouped the conversion components by applications. Many of our components are necessary when converting your engine and or transmission. Items such as exhaust and radiators can be modified or sourced elsewhere.

## GENERAL CONVERSION INFORMATION:

### *Engines & Transmissions:*

The S10 2WD was first introduced in 1982, and the 4WD model became available in 1983. These vehicles came stock with a 2.8L V6 or 4 cylinder, which proved to be underpowered. The transmissions used in these vehicles were either the 700R (60 degree bolt pattern) or T5. We offer the necessary components to install the Chevy 4.3 V6 or Chevy V8, utilizing either the TH350, 700R, or stock T5. These conversions for both the 2WD and 4WDs are very popular and can normally be performed without driveline modifications.

In 1988, the S-series pickups offered a 4.3 V6, and still utilized the 700R or the NV3500 transmission. These engine and transmission combinations seemed to be an excellent upgrade, but many people still wanted V8 power.

In 1996, the NV1500 was introduced behind 4 cylinder motors. (No adapters available to retain this transmission).

### *Body Style Changes:*

In 1994, the body style on the S10/S15 was redesigned, and then the mini-blazer in 1995. Despite the exterior changes, the frame and chassis remained unchanged. Currently, engine conversions using our components have been performed on vehicles as new as 2000 (on 2WD vehicles), and 1997 (on 4WD vehicles).

### *Engine Selection:*

First check your local Department of Motor Vehicles for smog & engine requirements. Certain states, such as California, require the same year or newer engine as the vehicle. (The engine should be complete, retaining all smog equipment). Both the Chevy V6 & V8 fit well in these vehicles. All Chevy V8 blocks have the same physical dimensions and use the same motor mounts. Choosing the right block depends on the intended use of your vehicle and your state regulations. See Page 84 for additional engine information.

### *Transmission Selection:*

**700R:** We commonly deal with two types of GM 700R transmissions. The S10/S15 used a 700R up against a 2.8L V6. This transmission differs in two areas from a 700R that was originally bolted to a V8. The first difference is the bellhousing bolt pattern. The 2.8L 700R version is commonly known as the 60 degree bolt pattern, and the 700R V8 version is known as the 90 degree bolt pattern. The bellhousing and transmission cases are integral (one unit). The second difference is the 2.8L 700R uses less clutch packs than the V8 700R. If you want to retain your 700R, you will need to switch your 2.8L 700R transmission casing to a V8 700R casing. (*Note:* S10/S15 equipped with a 700R and a 4.3 V6 have the 90 degree bolt pattern which will not need to be changed.)

**T5:** The T5 equipped in these vehicles are not recommended for bolting up to the Chevy V6 or V8; however, we do carry a bellhousing for customers that wish to retain this transmission on 1984 and newer vehicles. On 2WD vehicle applications, you should never retain this 5 speed. On 4WD vehicle applications 1982-83 having a mechanical clutch or manual transmission and used with a 4 cylinder engine, you should consider switching to an automatic transmission due to the cable-operated clutch linkage.

**NV3500:** This tranny is normally found up against the stock 4.3 V6 and does not require an adapter when converting to the V8.

**TH350:** This is the most popular transmission to be installed in combination with a V6 or V8 engine selection. On 2WD vehicles, a TH350 with a 9" tailhousing can be installed without driveshaft modifications. On 4WD vehicles, a TH350 replacing the 700R (using our adapter) can be installed without driveshaft modifications. When replacing a T5, no driveshaft modifications are necessary, but a stock adapter housing and transfer case shifter components are required.

### *Transfer Case & Axle Strength:*

The S10/S15 4WDs used either a NP207 or NP231C transfer case. These transfer cases are chain-driven units and are built strong enough to handle the torque of the 4.3 V6 or V8. The stock S10/S15 axles are adequate to handle most 4.3 V6 & V8 conversions. Caution should be used on 4WD vehicles running larger tires or conversions with high performance engines.

*Suspension Requirements:*

The installation of a V8 is about 175 lbs. heavier than stock. On 2WD applications, your front suspension will normally drop about an inch. We recommend using a heavy duty shock which will compensate for this drop, or you can change to an extended cab front coil spring which has a greater load rating. On 4WD applications, the suspension is normally equipped to handle the extra weight. Once completing any one of these vehicles, your front end alignment should be checked.

*Body Lifts:*

A body lift is not required on both the 2WD & 4WD versions; however, a body lift will always add additional tunnel & hood clearance.

*Cooling Requirements:*

When replacing a 2.8L or 4 cylinder, a radiator upgrade is normally required. On vehicles that were originally equipped with a 4.3L and converting to a V8, we recommend trying your stock radiator first. Please refer to Page 78 for more radiator options.

*Exhaust:*

We offer headers for Chevy V8 2WD and 4WD applications. When using a newer block and retaining the smog equipment, stock Chevy manifolds off of a 1982 or newer low performance car work the best. These manifolds are very compact and the main exhaust remains level with the exhaust ports.

*Average Installation Hours:*

The average conversion time on most vehicles is 40-50 hours.



**2WD S10/S15 & MINI-BLAZERS:**

**MOTOR MOUNTS:** We manufacture bolt-in motor mounts for the early S10/S15 2WDs. They work in conjunction with the stock 2.8L frame mounts. If your vehicle was equipped with a 4 cylinder, it is necessary that you purchase and install a set of stock 2.8L V6 frame mounts, GM Part No. 22188284. If your vehicle is a later model S10/S15 that came equipped with a 4.3 V6 and are planning to upgrade to a V8, we manufacture a bolt-on mount for this installation.

- P/N 713111 - Chevy V8 to 2.8L stock frame mounts
- P/N 713119 - Chevy 4.3 V6 to 2.8L stock frame mounts
- P/N 713123 - Chevy V8 to stock 4.3 V6 motor mounts (used also on Astro Vans)

These motor mounts listed above are slotted for fine-tune adjustments. On vehicles retaining the air conditioning, the engine must be set to the furthest rear position available on the motor mount. When this is done, clearance on the A.C. evaporator housing becomes crucial on the passenger side exhaust manifold. We manufacture a sheet metal cover that will allow the necessary ample clearance between the manifold and housing.

- P/N 716421 - A.C. Evaporator housing cover

**HEADERS:** We manufacture two types of exhaust headers. Our headers are manufactured with a 3/8" header flange and 16 gauge tubing. Both types of headers use a slip type exhaust connection which aids in additional clearance when exiting from the engine compartment. These headers are available in Chrome or Non-plated (NP). We do not offer headers for the 4.3 V6 application.

- P/N 717052 - SlickFit headers, Chevy V8 2WD (manifold style) (shown)
- \*P/N 717057 - SlickFit headers, Chevy V8 2WD (tubular style 1-1/2" tubing)
- \*(Should not be used on 1982 & 1983 vehicles)



717052



717057

**RADIATORS:** We offer new radiator cooling options that work well with a larger engine into these vehicles. These radiators have a built-in transmission cooler.

For more COOLING INFORMATION on our Rad-A-Kool radiators, see Page 78 & 79.

- P/N 716694-AA - Rad-A-Kool Aluminum 2 core tig welded radiator fits 1982-93 S10 & S15
- P/N 716694-LT - Rad-A-Kool Aluminum 2 core (LT1 engine) fits 1982-93 S10 & S15

*Advance Adapters 2WD S10/S15 Part Pricing:*

Motor Mounts:	713111 - \$108.02	A/C Housing:	716421 - \$ 36.59
	713123 - \$ 76.66		Headers:
	713119 - \$167.26		717052 - \$351.90
Radiator:		717052-NP	\$303.60
	716694-AA	\$576.33	717057 - \$359.14
	716694-LT	\$576.33	717057-NP \$318.78

## 4WD S10/S15 & MINI-BLAZERS:

**MOTOR MOUNTS:** We manufacture bolt-in motor mounts for the early S10/S15 4WDs. They work in conjunction with the stock 2.8L frame mounts. If your vehicle was equipped with a 4 cylinder, it is necessary that you purchase and install a set of stock 2.8L V6 frame mounts, GM Part No. 22188284. If your vehicle is a later model S10/S15 that came equipped with a 4.3 V6 and are planning to upgrade to a V8, we manufacture a bolt-on mount for this installation.

**P/N 713107** - Chevy V8 to 2.8L stock frame mounts

**P/N 713123** - Chevy V8 to stock 4.3 V6 motor mounts

These motor mounts listed above are slotted for fine-tune adjustments. On vehicles retaining the air conditioning, the engine must be set to the furthest rear position available on the motor mount. When this is done, clearance on the A.C. evaporator housing becomes crucial on the passenger side exhaust manifold. We manufacture a sheet metal cover that will allow the necessary ample clearance between the manifold and housing. **P/N 716421**

**OIL PANS & OIL FILTER ADAPTER:** The 4WD applications require a special rear sump oil pan when converting to a Chevy V8. Depending on the year and style of the block, we offer three different oil pans for the V8 replacing the 2.8 V6, and the 4.3 V6. All pans come with a new pickup screen and oil plug. *The 1986 & newer pans will work on LT1 & LT4 engines, but the pickup screen will not fit the LT1 & LT4 oil pump and we do not offer oil level sensor provisions. These pans do not work on LS1 engines.*

Replacing the **P/N 716410A** - 1985 & earlier Chevy block, driver side dipstick 2.8L (shown)

2.8L & 4.3L: **P/N 716411A** - 1985 & earlier Chevy block, passenger side dipstick

**P/N 716420A** - 1986 & up Chevy block, 1 piece rear main seal

These conversions require a remote oil filter adapter to provide front driveshaft clearance.

**P/N 716083** - Chevy V8 oil filter adapter

**P/N 716085** - Chevy 4.3 V6 oil filter adapter

**HEADERS:** We manufacture exhaust headers. Our headers are manufactured with a 3/8" header flange and 16 gauge tubing. A slip type exhaust connection is used which aids in additional clearance when exiting from the engine compartment. These headers are available in Chrome or Non-plated (NP). We do not offer headers for the 4.3 V6 application.

**P/N 717053** - SlickFit headers, Chevy V8 (manifold style)

**RADIATORS:** We offer a new radiator cooling option that work well with a larger engine into these vehicles. The radiator offer a built in transmission cooler. *For more COOLING INFORMATION on our Rad-A-Kool radiators, see Page 78 & 79.*

**P/N 716694-AA** - Rad-A-Kool Aluminum 2 core tig welded radiator fits 1982-93 S10 & S15

**P/N 716694-LT** - Rad-A-Kool Aluminum 2 core (LT1 engine) fits 1982-93 S10 & S15

**AUTOMATIC TRANSFER CASE ADAPTER:** Our adapter kit for the TH350 comes with an output shaft and adapter housing to retain the stock transfer case in its original location. On vehicles that were previously equipped with a 5 speed, it is necessary to purchase the following GM items: GM# 14049551 (shifter bracket) and GM# 15681328 (stock adapter).

**P/N 50-8500** - TH350 to stock S10/S15 NP207 & NP231 T/C

**STOCK MANUAL BELLHOUSING ADAPTER:** The stock T5 transmission can be retained with a new bellhousing, **Part No. 712547**. The bellhousing is designed to fit an 11" clutch assembly. The bellhousing is outfitted to use an McLeod internal release bearing. Due to tight internal clearances, we also recommend a 11" McLeod pressure plate designed to work with the release bearing. The input shaft on this transmission is a 1" 14 spline. We offer a special 11" clutch disc to fit this application, **P/N 716102**. The pressure plate is offered under **P/N 716102-P**. Manual transmission conversions are NOT compatible with vehicles 1982-83 that are equipped with cable clutch controls.

### Advance Adapters 4WD S10/S15 Part Pricing:

<table style="width: 100%; border-collapse: collapse;"> <tr> <td style="padding: 5px;">Motor Mounts:</td> <td style="padding: 5px;">713107 - \$160.29</td> </tr> <tr> <td></td> <td style="padding: 5px;">713123 - \$ 76.66</td> </tr> <tr> <td style="padding: 5px;">A/C Housing:</td> <td style="padding: 5px;">716421 - \$ 36.59</td> </tr> <tr> <td style="padding: 5px;">Oil Pans:</td> <td style="padding: 5px;">716410A - \$275.99</td> </tr> <tr> <td></td> <td style="padding: 5px;">716411A - \$275.99</td> </tr> <tr> <td></td> <td style="padding: 5px;">716420A - \$275.99</td> </tr> <tr> <td style="padding: 5px;">Radiators</td> <td style="padding: 5px;">716694-AA \$576.33</td> </tr> <tr> <td></td> <td style="padding: 5px;">716694-LT \$576.33</td> </tr> </table>	Motor Mounts:	713107 - \$160.29		713123 - \$ 76.66	A/C Housing:	716421 - \$ 36.59	Oil Pans:	716410A - \$275.99		716411A - \$275.99		716420A - \$275.99	Radiators	716694-AA \$576.33		716694-LT \$576.33	<table style="width: 100%; border-collapse: collapse;"> <tr> <td style="padding: 5px;">Oil Filter Adapter:</td> <td style="padding: 5px;">716083 - \$ 89.72</td> </tr> <tr> <td></td> <td style="padding: 5px;">716085 - \$ 89.72</td> </tr> <tr> <td style="padding: 5px;">Headers:</td> <td style="padding: 5px;">717053 - \$351.90</td> </tr> <tr> <td></td> <td style="padding: 5px;">717053-NP \$303.60</td> </tr> <tr> <td style="padding: 5px;">T/C Adapter:</td> <td style="padding: 5px;">50-8500 - \$163.77</td> </tr> <tr> <td style="padding: 5px;">B/H Adapters:</td> <td style="padding: 5px;">712547 - \$549.28</td> </tr> <tr> <td style="padding: 5px;">Clutch: P.P.</td> <td style="padding: 5px;">716102-P - \$181.80</td> </tr> <tr> <td></td> <td style="padding: 5px;">Disc 716102 - \$136.35</td> </tr> </table>	Oil Filter Adapter:	716083 - \$ 89.72		716085 - \$ 89.72	Headers:	717053 - \$351.90		717053-NP \$303.60	T/C Adapter:	50-8500 - \$163.77	B/H Adapters:	712547 - \$549.28	Clutch: P.P.	716102-P - \$181.80		Disc 716102 - \$136.35
Motor Mounts:	713107 - \$160.29																																
	713123 - \$ 76.66																																
A/C Housing:	716421 - \$ 36.59																																
Oil Pans:	716410A - \$275.99																																
	716411A - \$275.99																																
	716420A - \$275.99																																
Radiators	716694-AA \$576.33																																
	716694-LT \$576.33																																
Oil Filter Adapter:	716083 - \$ 89.72																																
	716085 - \$ 89.72																																
Headers:	717053 - \$351.90																																
	717053-NP \$303.60																																
T/C Adapter:	50-8500 - \$163.77																																
B/H Adapters:	712547 - \$549.28																																
Clutch: P.P.	716102-P - \$181.80																																
	Disc 716102 - \$136.35																																

# FULL SIZE GM BLAZERS & GMC TRUCKS

We offer numerous adapters for GMC vehicles. Whatever transmission and/or transfer case combination you're looking for, whether it be upgrading a 4 speed manual to a 5 speed manual, or a 3 speed automatic to a 4 speed overdrive automatic, there is a good chance that we offer the necessary components to accommodate your needs. For more detailed conversion installation procedures, we recommend you download our GM & Chevy instruction manual located at [www.advanceadapters.com](http://www.advanceadapters.com) under the **Tech Vault**.

The transfer case selection chart in this section lists all the possible adapter combinations; however, before you can select the proper adapter you'll need to properly identify your stock drivetrain and the new prospective drivetrain.

Once you have identified your transmission, you will then need to identify the stock transfer case and/or the new transfer case. If you are keeping the stock transfer case that your vehicle was equipped with and you have already identified the stock transmission, then identifying the transfer case should be easy. If you're swapping your transfer case with a different one, this could be a challenge.

Over the past 30 years, GM has offered numerous transmission and transfer case combinations. Some of these combinations have similar spline counts or bolt patterns - allowing the combination of a transmission to a transfer case that may have never been offered as stock. To add even more to the possibilities, the components that you are looking at using might have already been converted. The following information is put together with the best information we have on file. If your application varies or you have something different, please call and let us know.

## **GM TRANSMISSION AND TRANSFER CASE INFORMATION:**

The early GMs used a Dana 20 style transfer case and no adapters are available for these vehicles.

In 1971, New Process introduced a model NP203 (chain-driven), and NP205 (gear-driven) transfer case. Both of these transfer cases used various input splines. As a general rule, all of the transfer cases that couple to a TH350 automatic are normally a 27 spline input; when coupled to a manual transmission a 10 spline input; and when coupled to a TH400 a 32 spline input.

The NP203 was used from 1971 to 1979. This transfer case was mated to the TH350, TH400, and SM465 transmission.

The NP205 was used from 1971 to 1991. The 1971-79 NP205 was only found mated to the TH350 and the SM465 transmission. For 1-ton vehicles between 1979 to 1984/85, GM used a TH400 and the SM465. The TH400 was equipped with a female 32 spline input, while the SM465 retained the male 10 spline input. These model transfer cases had a figure-eight front bolt pattern. In 1985 to 1991 vehicles, GM started using a different version of the NP205. The input spline for both the TH400 and the SM465 transmissions was a female 32 spline, and the front bolt pattern changed to circular bolt pattern.

In 1981, GM introduced the NP208 chain-driven transfer case. The NP208 also has a circular bolt pattern, and had either a 27 or 32 spline input. In 1988, GM next introduced the NP241 chain-driven transfer case. This transfer case, as far as bolt patterns and splines are concerned, is identical to the NP208. More information is covered in detail in our instruction manual GM001.

The chart on Page 51 will help you identify the necessary transfer case adapters for these swaps.



Front view (NP203)



NP205 T/C  
figure-8 bolt pattern



NP205 stock adapter



NP208 stock adapter

The NP205 is sometimes hard to identify. The data plate for this transfer case is located on the upper front of the case; but many times this information has been worn off, and subsequently a NP205 gets confused with a NP203 transfer case. The easiest way to identify the NP205 is by the rear 3 bolt cover on the idler shaft.



3 bolt cover found on  
NP205 transfer cases

### **NP205 TWIN STICK SHIFTERS:**

We offer a twin stick shifter kit for the NP205 transfer cases. Our kit, [P/N 715595](#), fits the figure eight bolt pattern 205 transfer cases when coupled to the GM TH350, TH400, and SM465.



## Stock GM Adapters and Couplers:

The early GM transmission-to-transfer case adapters were mostly cast iron. These stock adapters were strong; however, years of off road use, weather elements, and vehicle abuse have taken their toll on these adapter housings. Ordering a replacement GM casting was an easy fix, until GM started discontinuing these older housings. The other option was to search the salvage yards, but these parts are becoming harder to find and/or damaged also. To fix this problem, we began to re-manufacture these GM discontinued parts. The adapters we are manufacturing are cast out of Aluminum rather than cast iron. These high tensile cast aluminum replacement housings offer you a durable, quality option. We currently offer five different stock adapter housings.



**50-5302** - Fits the GM TH350 to the early GM NP205 transfer case.



**50-4705** - Fits the GM SM465 to the circular GM NP205 or NP208 transfer cases.



**50-4708** - Fits the GM SM465 to the figure-eight GM NP205.



**51-3202** - Fits the GM TH400 to the figure-eight GM NP205.

**51-3210** - Fits the GM TH400 or TH350 to the GM NP203 transfer case.  
(photo not shown)

Most of the early GM adapters used a coupler to connect the transmission output shaft to the transfer case input. We also offer these replacement couplers. There were normally two couplers GM offered: a 27 spline and a 10 spline.

**52-9503** - Fits the GM TH350 **27 spline** to the GM NP205 **27 spline**.

**52-9504** - Fits the GM SM465 **10 spline** to the GM NP205 **10 spline**.

*Adapter couplers:* These are couplers that we have designed for coupling the different transfer case inputs to the opposite transmission.

**52-9502** - Fits the GM SM465 **10 spline** to the GM NP205 **27 spline**.

**50-5304** - Fits the GM TH350 **27 spline** to the GM NP205 **10 spline**.



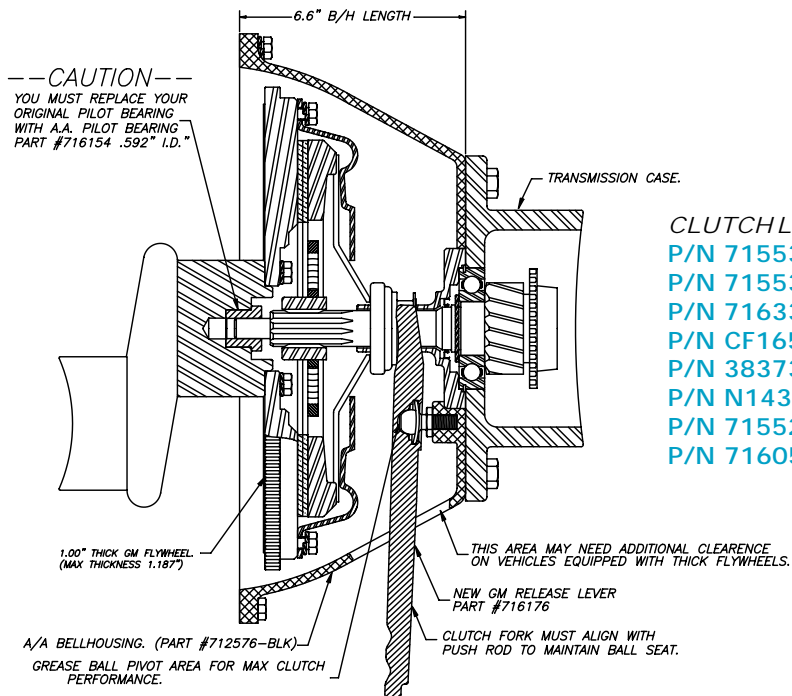
## NV4500 Bellhousing Adapters:

If you are considering a NV4500, we offer conversion bellhousings for these applications. The bellhousing bolt pattern changed on the Chevy NV4500 transmission. To install a NV4500 having a mechanical or hydraulic linkage, you have a few options. The bellhousings we manufacture offer brackets to retain both these linkages. Furthermore, the late model stock GM NV4500 bellhousing can be used. This bellhousing is only offered for hydraulic applications and should only be used when replacing a late model Chevy Getrag transmission.

- P/N 712577** - Chevy NV4500 (1993-95 transmissions) to Chevy block, full bellhousing
- P/N 712576** - Chevy NV4500 (1996 & up transmissions) to Chevy block, full bellhousing
  
- P/N 712550** - Dodge NV4500 to Chevy bellhousing 5.125" index, adapter plate



P/N 712577



### CLUTCH LINKAGE & COMPONENTS:

- P/N 715534** - Stock linkage bracket (mechanical)
- P/N 715535** - Stock linkage bracket (hydraulic)
- P/N 716332** - Bellhousing boot
- P/N CF165552** - Centerforce 11" pressure plate
- P/N 383735** - Centerforce 11" clutch disc
- P/N N1430** - Throw out bearing
- P/N 715529** - NV4500 to NP205 T/C shifter bracket
- P/N 716050C** - NV4500 shifter handle

### COMPLETE NV4500 KITS:


We distribute complete kits for the NV4500 transmission. These assemblies consist of a new transfer case adapter, transfer case linkage (when necessary), crossmember mount, bellhousing or bellhousing adapter plate, and shifter handle. A complete transmission package from Advance Adapters is a cost effective way to order. We offer rebuilt NV4500 transmissions which are the only units available today. The GM 4WD NV4500 can be purchased under **P/N 26-0007R**.


- P/N 27-0030** - GM 10 spline NP205 1971-84/85 transmission assembly. This kit includes a new full bellhousing with a clutch linkage bracket for mechanical linkages. **Overall assembly length 26.250"**.
- P/N 27-0031** - GM 27 spline NP205 1971-1979 transmission assembly. This kit includes a new full bellhousing with a clutch linkage bracket for hydraulic linkages. Installation of a clutch pedal is mandatory on vehicles previously equipped with the automatic transmission. **O.A.L. of 26.750"**.
- P/N 27-0032** - GM 32 spline NP205 1971-84/85 transmission assembly. This kit includes a new full bellhousing with a clutch linkage bracket for mechanical linkages. Machining is required on the transfer case to install a new 32 spline input gear. **O.A.L. 26.250"**.

**RISER BLOCKS:** This is a 1-1/2" riser block for Chevy trucks. The blocks are cast iron and drilled with an alignment hole for positioning. No U-bolts are furnished, so check with your local dealership. **Part # 714101**



# GM TRANSFER CASE ADAPTERS

	NP205 1971-79 27 SPL. MALE (ORIG.TH350) fig.8 pattern	NP205 1971-84/85 10 SPL. MALE (ORIG. SM465) fig.8 pattern	NP205 1979-84/85 32 SPL. FEMALE (1 TON TH400) fig.8 pattern	NP205 1985-91 32 SPL. FEMALE (SM465 & TH400) cir.6 pattern	NP208 & NP241 1981-00, 32 SPL. (ORIG. SM465) (TH400 & 4L80E) cir.6 pattern
GM NV4500 4WD 1993-2001 (12.375" CASE)	50-0218 (1) 7.875" ADAP. OR 50-0206 (1,2,6,11) 7.375" ADAP.	50-0217 (1,6) 7.375" ADAP. OR 50-0206 (1,2,6,11) 7.375" ADAP.	50-0206 (1,6) 7.375" ADAP.	STOCK ADAPTER with MODS. (13,14)	STOCK ADAPTER
GM MUNCIE (M21,M22)	50-3500 (10)	50-3400 (10)			
GM MUNCIE (SM465)	52-9502(7)	52-9504 (7)	51-4708	51-4705	51-4705
GM TH350 AUTOMATIC CASE LENGTH 21.5"	STOCK ADAP. or 50-5302	50-5304 (7A)			50-7102 5.250" ADAP.
GM TH400 AUTOMATIC CASE LENGTH 24.25"	50-3200 (6,8) or 50-3202 (2)	50-3202 (2)	STOCK or 51-3202	50-7001 (9,13,14) 2.50" ADAP.	50-7001 2.50" ADAP.
GM 700R & 4L60 AUTO O.D. CASE LENGTH 23.375"	50-6900 (7A,8)	50-6906 (7A)	50-6902 (8) 1.00" ADAP.	50-6901 (7,13,14) 1.00" ADAP.	50-6901 (8) 1.00" ADAP.
GM 4L60E AUTO O.D. CASE LENGTH 23.375" NOTE 5	50-6900 (8) STOCK ADAP.	50-6906 (7A) 3.50" ADAP.	50-6902 (8) 1.00" ADAP.	50-6901 (7,13,14) 1.00" ADAP.	50-6901 (8) 1.00" ADAP.
GM 4L60E REMOVABLE B.H. CASE LENGTH 22.00"	50-5310 5.00" ADAP.	50-0405 (4) 1.50" ADAP.	50-0405 (4) 1.50" ADAP.	50-0405 (4) 1.50" ADAP.	50-0405 (4) 1.50" ADAP.
GM 4L80E AUTOMATIC CASE LENGTH 26.00"	50-0410 (2) 4.00" ADAP.	50-0410 (2) 4.00" ADAP.	51-0410 4.00" ADAP.		

	NP203 1971-79 27 SPL. (ORIG.TH350)	NP203 1971-79 10 SPL. (ORIG. SM465)	NP203 1973-77 32 SPL. (TH400)	NP208 & NP241 1981-00, 27 SPL. (ORIG. 700R, 4L60, 4L60E)
GM MUNCIE (M21,M22)	50-3500 (10) 5" ADAP.	50-3400 (10) 4.5" ADAP.		
GM POWERGLIDE				50-9212 2.375" ADAP.(15)
GM TH350 AUTOMATIC CASE LENGTH 21.5"	STOCK or 51-3210		STOCK or 51-3210	50-7100 (3,8) 1.5" ADAP.
GM TH400 AUTOMATIC CASE LENGTH 24.25"	50-3200 (6,8) .590 ADAP.	50-3201 (6,8) .75"ADAP.&4.0"ADAP.		50-7000 2.50" ADAP.
GM 700R & 4L60 AUTO O.D. CASE LENGTH 23.375"	50-6900 (8) & STOCK TH350 ADAP.		50-6902 (8) 1.00" ADAP.	STOCK
GM 4L60E AUTO O.D. CASE LENGTH 23.375"	50-6900 (5,8) & STOCK TH350 ADAP.		50-6902 (5,8) 1.00" ADAP.	STOCK
GM 4L60E REMOVABLE B.H. CASE LENGTH 22.00"	50-0405 (4) 1.50" ADAP.		50-0405 (4) 1.50" ADAP.	STOCK

SEE PAGE 85 FOR VSS INFORMATION

**NOTES:**

- (1) MUST SHORTEN STOCK OUTPUT SHAFT.
- (2) NEW T/C INPUT GEAR MUST BE INSTALLED(MACHINING REQ'D).
- (3) NO DRIVESHAFT MODIFICATIONS.
- (4) THIS KIT REQUIRES THE USE OF A 700R KIT ALSO, IF A 4L60E SHAFT IS USED THEN KIT 50-0405E SHOULD BE ORDERED
- (5) THIS KIT REQUIRES A RELUCTOR KIT, P/N 716073.
- (6) KIT COMES WITH A T/C LINKAGE BRACKET.
- (7) THIS KIT REQUIRES A STOCK ADAPTER HOUSING FROM G.M.
- (7A) KIT REQUIRES EITHER A STOCK TH350 ADAP. OR OUR 50-5302 KIT.
- (8) THIS ADAPTER WORKS TOGETHER WITH YOUR STOCK ADAPTER.
- (9) KIT NOT NEEDED WHEN REPLACING A TH400.
- (10) 715501 SHIFT BRKT., 715625 OR 715626 ROD KIT & 715600 HURST SHIFTER IS NEEDED.
- (11) P/N 716038 MUST BE PURCHASED.
- (12) A 32 SPLINE INPUT GEAR IS REQUIRED.
- (13) THE ADAPTER HOUSING MAY NEED TO BE MODIFIED FOR THE TRANSFER CASE LINKAGE, OR A SPACER ADAPTER CAN BE USED, P/N 50-6910.
- (14) THIS ADAPTER IS DESIGNED FOR A SHORT NP205 INPUT GEAR. IF YOU HAVE THE LONGER INPUT STICKOUT, YOU MAY NEED TO REPLACE OR MODIFY THIS GEAR, OR USE OUR SPACER ADAPTER 50-6910.
- (15) THIS ADAPTER REQUIRES A CUSTOM CROSSMEMBER TO BE FABRICATED.

# RANGER TORQUE SPLITTER

The Ranger Torque Splitter is an auxiliary gear box that bolts in front of the standard Chevy, Ford and Land Cruiser 4 speed transmissions. This fully synchronized unit allows you to split your gears at any time. *The unit is available in a 27% overdrive.*

The Ranger has been in production since the late 1960s, and Advance Adapters has been manufacturing the unit since 1976. Through the years it has gone through several design changes. Today's unit is cast aluminum, measuring 7-1/2". The gears are helical cut and the shifting mechanism is a short throw manual shift. The unit is built to handle 420 ft.-lbs. of torque and has a G.V.W. rating of 25,000 lbs. This unit is ideal for towing applications or improving gas mileage by lowering the RPMs.



The unit weighs 80 lbs. and is easily shipped via UPS. It has a 1 year unlimited mile warranty from the date of shipment. For more detailed information and parts list, we can fax or mail you the Ranger Instruction Sheet (Ranger OD) or view it online at [www.advanceadapters.com](http://www.advanceadapters.com) under the Tech Vault.

## CHEVY

**760001M-27** 1947-1966 Chevy Overdrive with a 4.686" index

**760002M-27** 1967-1987 Chevy Overdrive with a 5.125" index

(Note: These units are for Chevy 4 speed transmissions and will bolt directly to the 4 speed and bellhousing with only minor modifications. Driveline and floorboard modifications are required.)

## FORD

**760010M-27** 1965-1970 Ford Overdrive with a 5.125" index

**760014M-27** 1971-1987 Ford Overdrive with a 4.848" index

(Note: These units are for Ford 4 speed transmissions and will bolt directly to the 4 speed and bellhousing with only minor modifications. Driveline and floorboard modifications are required.)

## LAND CRUISER\*\*

**760024M-27** 1974-1986 Toyota Land Cruiser Overdrive

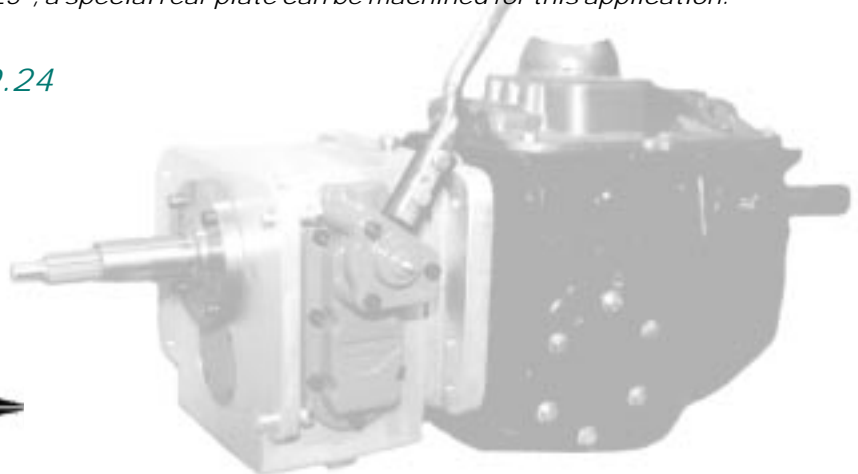
The overdrive design for the Land Cruiser makes an ideal conversion. The unit will eliminate the need for a special bellhousing adapter and, at the same time, positions the V8 engine in the correct location to avoid any driveshaft modifications.

(Note: The earlier 3 speed Land Cruiser can be mated to the Ranger Torque Splitter by using a special retainer, P/N 716222 with Overdrive 760001M-27.)

\*\*Special Note: The Ranger can be installed on 1987 and newer Land Cruisers. On these applications we have found a few odd size input shaft bearings that Toyota used. In order to use our overdrive unit, the front input shaft bearing of your transmission must be measured. (This will verify what bearing index is necessary - a 3.544" diameter is standard.) If your bearing diameter is 3.625", a special rear plate can be machined for this application.

**COMPLETE UNIT \$1519.24**

(freight not included)



RANGER SPLITTER  
TORQUE SPLITTER

# FORD FULL SIZE TRUCKS

Full size Ford trucks have never been a very popular truck for transmission upgrades. Over the years, we've only had a few requests for certain adapters. Most of the early Ford trucks produced had either a single gear ratio Dana 21 transfer case or they had a divorced New Process transfer case. The Dana 21 was very light-duty and, therefore, not very popular to adapt to. The divorced New Process transfer cases were good gear boxes; however, no adapters were required when changing transmissions, just a custom driveshaft did the job.

Around 1977, the first Ford married transfer cases came on the scene. From 1977 to 1979, both the NP205 & NP203 transfer cases were found in Ford trucks. Both New Process transfer cases used a 31 spline input; however, the bolt patterns were different. Since the NP203 was discontinued in 1979, we have never made any adapters for this transfer case. In 1980, Ford changed transfer cases to the New Process 208 and the 6 bolt Borg Warner transfer cases. At that time, Ford still offered the NP205 on special order applications. The transfer cases (NP205, NP208, and the 6 bolt B/W transfer case) found in these vehicles are all basically treated the same when it comes to adapting to them. They all have a circular 6 bolt pattern, a 31 spline input, and the same index diameter. The New Process 205 has one difference that does play a part with our adapters. The adapter requires a clearance notch for the stock transfer case shifter linkage. Since these Ford transfer cases all have the same basic configuration, the task of swapping a Ford 4WD transmission with another Ford 4WD transmission can normally be accomplished with the stock adapter.

The adapters we manufacture are designed to couple the different Chevy automatic transmissions and the NV4500 5 speed transmissions to the Ford transfer cases. We also have designed bellhousing adapters to couple the Chevy automatics and the NV4500 transmission to the stock Ford engines. (Note: In reference to the transfer case adapters, we have seen different transmission output shaft stickouts on the Fords. The transfer case adapters we manufacture are designed around a 1" long stickout from the adapter. If your stock transmission had a flush output shaft stickout, then our kit may require the shaft to be shortened accordingly or a spacer plate to be used).

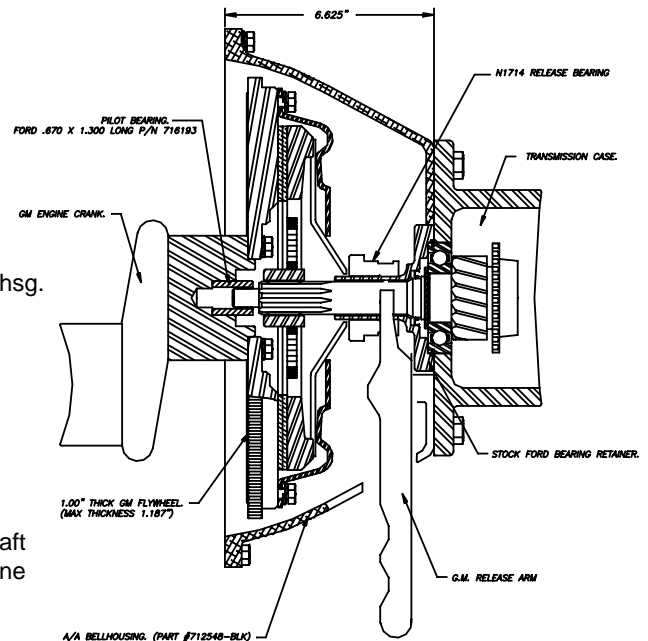
## FORD TRUCK BELLHOUSING ADAPTERS:

**P/N 712588-A** GM automatic to Ford 302 bhsg. adapter plate  
(28 oz. balance)

**P/N 712588-B** GM automatic to Ford 302 bhsg. adapter plate  
(50 oz. balance)

**P/N 712551** - Dodge NV4500 adapter plate to standard Ford bhsg.  
(4.848" index)

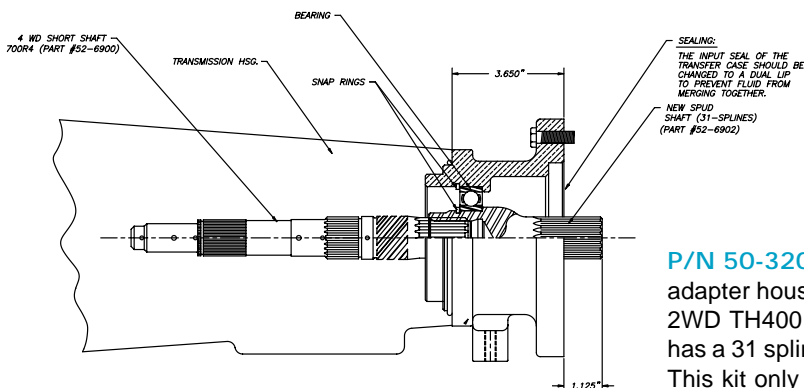
**P/N 712549** - GM engine to Ford transmission  
(Full bellhousing)



## FORD TRUCK TRANSFER CASE ADAPTERS:

**P/N 50-6904** - GM 700R to Ford NP transfer case adapter.  
This adapter is 3.625" long. The kit comes with a new 700R output shaft that must be installed into the transmission and then uses a 31 spline spud shaft supported in the adapter to couple to the transfer case.

**P/N 50-6908** - GM TH350 to Ford NP transfer case adapter.



**P/N 50-0207** - Dodge NV4500 23 spl. to Ford NP205 & 208 T/C adapter.

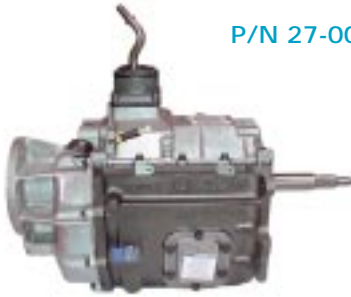
**P/N 50-0220** - Dodge NV4500 29 spl. to Ford NP205 & 208 T/C adapter

These two adapters use the stock Dodge tailhousing coupled an adapter ring. The 23 or 29 spline spud shaft then adapts the Dodge output to 31 splines to fit the Ford transfer case.

**P/N 50-3204** - GM TH400 to Ford NP205 T/C adapter. The adapter housing in this kit is 4.25" long. The kit calls out for a stock 2WD TH400 output shaft which is 32 splines. Since the Ford 205 has a 31 spline input, we supply a new 32 spline transfer case input. This kit only fits the NP205 transfer case

**FORD TRUCK NV4500 TRANSMISSION KITS:** We offer rebuilt NV4500 transmissions which are the only units available today. The Dodge 4WD 29 spline NV4500 can be purchased under [P/N 26-0029R](#). We no longer stock the 23 spl. Dodge 4WD transmission.

We have designed a kit to cover most applications. The following kit fits the Dodge NV4500 29 spline transmission that we stock. This complete adapter package for the Ford truck transmission swap includes a bellhousing adapter, transfer case adapter, and crossmember mount.



[P/N 27-0040T](#) - NV4500 29 spl. transmission package to Ford NP205. *O.A.L. of 27.500"*

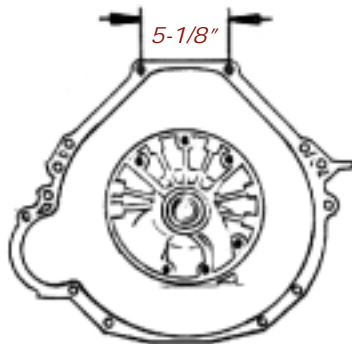
More detailed information on Ford Full Size Trucks can be found in the Ford instruction manual located at [www.advanceadapters.com](http://www.advanceadapters.com) under the **Tech Vault**.



## FORD 460 V8 BIG BLOCK ENGINE CONVERSION

The replacement of the small Ford V8 and straight 6 cylinder engines have become quite popular in Ford trucks. One of the main reasons for this is that the 460 cubic inch big block is readily available in most salvage yards. We offer engine mounts that will bolt directly to the Ford 429/460 engine blocks and will match the frame rails on most applications. These mounts fit the 4WD F-series pickups from 1977 to 1996, 2WD F-series pickups from 1978 to 1996, and Broncos from 1978 to 1996. The stock frame perches can be used on most applications. The location of the frame perches should be 12-3/8" from the face of the bellhousing to the center of the stock frame perch stud hole. On a few applications, the frame perch may need to be relocated. On 1979 and earlier 6 cylinder vehicles, a new driver's side frame perch must be installed. A body lift is mandatory for 1979 and earlier vehicles. On later model vehicles, a body lift will aid in the installation of the 460 engine, but it is not mandatory.

[P/N 713014](#) - 429/460 Big Block rubber motor mounts

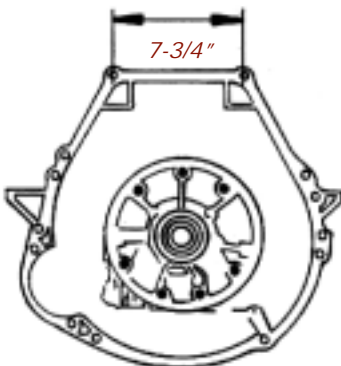


**Offroad Mounts:** Along with the rubber mounts that we manufacture, we also offer a complete mounting system frame-to-block. These mounts are manufactured by Auto Fab and use a horizontal neoprene bushing to isolate the engine from the frame. They are a heavy-duty offroad type of mount.

- [P/N 713222](#) - 1965-79 2WD 460 "Off Road" mounts
- [P/N 713223](#) - 1977-79 4WD F350 460 "Off Road" mounts (leaf spring only)
- [P/N 713223B](#) - 1978-79 BRONCO 460 "Off Road" mounts (coil spring only)
- [P/N 713224](#) - 1980-96 2WD/4WD 460 "Off Road" mounts
- [P/N 713219](#) - 1965-79 2WD Ford to GM V8 motor mounts

C6  
289-302-351C-351W

The various Ford engine blocks used three different bolt patterns. When replacing an engine in a vehicle that originally had a manual transmission, the bellhousing will need to be changed. When converting vehicles with automatics, the entire transmission casing will need to be replaced. The following blocks are grouped together by block bolt pattern configuration. More detailed information can be found in the Ford instruction manual located at [www.advanceadapters.com](http://www.advanceadapters.com) under the **Tech Vault**.

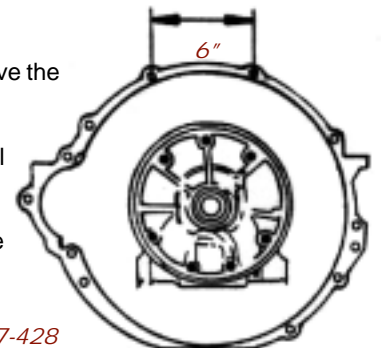


**SMALL BLOCK FORDS:** 289, 302 and 351 Windsor all have the same block bolt pattern.

**FORD BLOCKS:** 332, 352, 360, 390, 406, 427 and 428 all have the same block bolt pattern.

**FORD BLOCKS:** 429, 460, 351M and 400 all have the same block bolt pattern.

C6  
429-460-351M-400



C6  
332-352-360-390-406-427-428

# DODGE GETRAG REPLACEMENT

Between the years of 1989 to 1992, Dodge used a German made Getrag 5 speed transmission coupled to the Cummins diesel engine. These transmissions were used in both 2WD and 4WD vehicles. The availability of re-manufactured transmissions and replacement parts have been extremely difficult to locate. We have developed a new bellhousing that will permit the use of the newer heavy-duty NV4500 transmission.



Many customers (aware that the NV4500 is currently available with the Cummins diesel), reason that they can simply use a stock New Venture bellhousing from Chrysler. Although this may be true, as was our initial thought, these original components from Chrysler proved to be extremely expensive. Not only would a new bellhousing be required, but also new clutch components, slave cylinder, and considerable labor.

The bellhousing we manufacture bolts to the Cummins 5.9 diesel and utilizes the stock slave cylinder, clutch arm, and release bearing. This bellhousing comes with a new pilot bushing for both the 2WD and 4WD applications. The 4WD kits also include a crossmember mount and transfer case shifter bracket.

## 2WD APPLICATIONS:

On 2WD installations, the new transmission is approximately 6-1/2" longer than the stock Getrag transmission. This conversion will require driveline and crossmember modifications. A new rear output yoke will need to be purchased and we offer this item as [P/N 716087](#). Not all Dodge 2WD transmissions have a speedometer option on the tailhousing. The 1998 & newer transmissions used a speedometer located in the rear axle, thus these transmissions do not have any way of connecting a speedometer cable to them. A GPS speedometer may be the only way to accommodate a speedometer in your vehicle with the newer transmission. Floorboard modifications may be necessary because of the new shifter handle location. We offer rebuilt NV4500 transmissions which are the only units available today. This transmission can be ordered from us under [P/N 26-0019R](#).

[P/N 712585](#) - Dodge Heavy Duty NV4500 bellhousing for replacing the Getrag 5 speed

[P/N 27-0056](#) - Dodge Heavy Duty NV4500 2WD tranny assembly  
(includes the bellhousing, shift handle and output yoke)

## 4WD APPLICATIONS:

On 4WD installations, the new transmission is a direct replacement for the Getrag 5 speed. You will have minor floorboard modifications for the new shifter handle location. The bellhousing kit comes with a crossmember adapter block and transfer case shifter bracket. The stock Dodge NV4500 transfer case adapter housing bolts directly to the stock transfer case. Most applications will require the stock adapter seal to be removed. We offer rebuilt NV4500 transmissions which are the only units available today. This transmission can be ordered from us under [P/N 26-0020R](#).

[P/N 712584](#) - Dodge Heavy Duty NV4500 bellhousing for replacing the Getrag 5 speed

[P/N 27-0055](#) - Dodge Heavy Duty NV4500 4WD tranny assembly  
(includes the bellhousing kit and shift handle)



On some of the 1991 to 1993 Getrag transmissions, Dodge used a gated transfer case shifter. This shifter bracket is not included in the bellhousing or transmission kits listed above. If your vehicle has this shifter as illustrated below, you will need to purchase this bracket or you can order bellhousing kit [P/N 712584A](#) which includes this bracket.

[P/N 715540](#) - 1991-93 Getrag Gated transfer case shifter bracket



*Dodge NP205 Coupler:*

[P/N 52-9540](#) - Stock Dodge 29 spline coupler for the NP205 transfer case.



# 1966-77 FORD BRONCOS

The early Ford Broncos have always been a popular vehicle for conversions. These vehicles were normally equipped with a 6 cylinder or V8 engine up to a 3 speed transmission. On this transmission, Ford used two different lengths of adapter housings when coupling this 3 speed to the stock transfer case. The adapter housing is either 6-1/2" or 9-3/8". Vehicles equipped with a V8 had a 9-3/8" tailhousing which set the bellhousing further into the engine compartment. Vehicles with the 6 cylinder had the 6-1/2" tailhousing. This shorter adapter compensated for the longer engine. In 1973, Ford began offering the C4 automatic. A special tailhousing and output shaft was manufactured to couple this transmission to the stock transfer case. (Ford no longer makes the C4 adapter).

The 1966-77 vehicles were equipped to a Bronco Dana 20 transfer case. This transfer case, unlike the Jeep Dana 20, has the front driveshaft on the driver's side of the vehicle. The input gear of this transfer case is 6 spline. Ford always used a spud shaft that coupled this 6 spline transfer case to the transmission 28 spline. The transmission-to-transfer case adapters used both a dowel pin and alignment retainer. The spud shaft is supported in this retainer with a bearing. The adapter kits we manufacture utilize this type of design. In some applications, we also retain the stock spud shaft\*. This transfer case has a 2.46:1 low gear ratio. In early 1973, Ford switch to a 2.34:1 low gear ratio. These transfer cases used two different shifter designs known as either the "J" pattern or "T" handle. The "T" handle was used from 1966 to 1972, and the "J" pattern from 1973 to 1977.

We manufacture over 10 different transfer case adapters for the early Ford Broncos; and since the conversion business is market-driven, we've developed over the years a variety of applications to meet consumer needs. For more detailed information and conversion procedures, we recommend you download our Ford instruction manual located at [www.advanceadapters.com](http://www.advanceadapters.com) under the **Tech Vault**.

\*We offer a stock Bronco replacement spud shaft under [P/N 52-2710](#).

"Off Road" series, heavy-duty 1966-77 Bronco 302 motor mounts are now available. We stock them under [P/N 713218](#).

## TRANSFER CASE ADAPTERS:

*T & C 4 speed:* This transmission has the same bolt pattern and is 1" longer than the stock 3 speed transmission. This conversion kit consists of a new output shaft, shift rod bushing, and gasket kit. The 9-3/8" stock adapter housing is used and some machining is required. Your stock tailhousing must be drilled and reamed for the shift rail. The counter bore on the adapter housing must be machined to accept the larger 307 bearing. This kit utilizes the stock Bronco spud shaft. This transmission is side shifted and will require additional shifter components. Floorboard modifications will be necessary for shifter clearance and driveshaft modifications may be required.

- [P/N 50-1900](#) - Ford T & C 4 speed to Bronco Dana 20
- [P/N 715503](#) - Hurst Competition Plus shifter bracket
- [P/N 715630](#) - Shifter rod kit
- [P/N 715600](#) - Hurst Competition Plus shifter & handle



*T & C 4 Speed Overdrive:* The bolt pattern & length of this transmission is 1" longer than the stock 3 speed transmission. This kit includes a new output shaft, shift rod bushing, and gasket kit. The 9-3/8" stock adapter housing is used and some machining is require. Your stock tailhousing must be drilled and reamed for the shift rail. The counter bore on the adapter housing must be machined to accept the larger 308 bearing. This kit utilizes the stock Bronco spud shaft. This transmission was used in both cars and trucks. Our kit only fits the truck-style transmission. The truck-style transmission is top shifted and does not require any additional shifter components.

The car style transmission can be used if the main case is machined to accept the larger 308 bearing. This transmission is side shifted, which will require the same shifter components listed above. Floorboard modifications will be required.

- [P/N 50-5601](#) - Ford T & C Overdrive to Bronco Dana 20 (truck-style transmission 1985-89 F150s)

*ZF 5 Speed:* We offer an adapter and shaft assembly to adapt the Bronco Dana 20 transfer case to the ZF 4WD 5-speed transmission. This adapter kit is 1.50" long and comes with a new spud shaft and alignment retainer.



- [P/N 50-4303](#) - Ford ZF 5 speed to Bronco Dana 20 transfer case

*Custom Twin Stick Kits for Broncos:* Our adapter kits for the AOD, NV3550, and ZF do not offer transfer case linkage options for the "J" shifter. JB Custom Fab does manufacture a custom twin stick linkage kit that works well for these transmissions as well as the other transmission options. Please contact them at 503-932-6978 for more information.



*Ford NP435 & T18:* These truck transmissions are a very popular choice for the early Bronco drivetrain. The kit includes an adapter housing, alignment retainer, seals and gaskets. The kit utilizes the stock 2WD transmission output shaft (28 spline) and the stock Bronco spud shaft. The adapter housing is drilled for both the NP435 & T18 transmissions. When installing the NP435 in a V8 application, this combination will not require any driveshaft modifications. The T18 is 1" longer than the NP435, requiring driveshaft modifications. Both trannys will require some floorboard and shift handle modifications.



**P/N 50-2700** - NP435 & T18 to Bronco Dana 20 (adapter length of 7.500", transmission 10.875")

*NV3550 or AX15 5 speeds:* These transmissions are ideal transmission swaps for the early Broncos. They are rated at 300 ft.-lbs. at 7200 GVW. The weight of these 5 speeds is 97 lbs., which is similar to the stock 3 & 4 speed transmissions. The overall size and length make it an ideal fit. The gearing of these 5 speeds is as follows: 1st 4.01:1; 2nd 2.32:1; 3rd 1.40:1; 4th 1.00:1; 5th 0.78:1, and Reverse 3.57:1.

The transfer case adapters we manufacture for this transmission uses an adapter plate and spud shaft. The adapter plate offers two rotation options for the Dana 20 transfer case: the stock rotation which is 42 degrees and a higher rotation of 34 degrees. The higher rotation may require a body lift for proper clearance. The transfer case adapter comes with a transfer case shifter linkage bracket which only fits the "T" style shifter.

The stock Ford bellhousing will also need to be adapted. The NV3550 and the AX15 have a 7-1/2" long input shaft. We manufacture an adapter plate that bolts to the front of this transmission. This adapter provides you with the proper indexing and bolt pattern to couple to the stock bellhousing. The stock bellhousing when bolting to the NV3550 does require some slight modifications. Another consideration is the clutch disc spline. The stock Ford is 1-1/16" 10 spline and the NV3500/AX15 is 1-1/8" 10 spline.

The new crossmember for the NV3550/AX15 transmission must also be used. Since these 5 speeds do not offer the angular support pads and our adapter is too short to have these provisions, we designed a new crossmember support for the new transmission. Our new crossmember bolts to the stock crossmember frame hole and includes a new rubber support. The crossmember is designed to fit both stock exhaust and header applications.

- P/N 50-9920** - NV3550 to Bronco Dana 20 T/C adapter (1.40" long)
- P/N 712544** - NV3550 to Ford bellhousing 4.848" index (includes clutch)
- P/N 716000** - NV3550 crossmember support
- P/N 26-3550R** - NV3550 transmission



- P/N 50-9920A** - AX15 to Bronco Dana 20 T/C adapter (1.40" long)
- P/N 712543** - AX15 to Ford bellhousing 4.848" index (adapter length 7/8")
- P/N 383735** - 1-1/8" 10 spline clutch disc
- P/N 716000A** - AX15 crossmember support
- P/N 26-AX15** - AX15 transmission

We also offer complete transmission packages online at [www.advanceadapters.com](http://www.advanceadapters.com) under the Adapter category.

*Dodge NV4500 5 speed:* The NV4500 was introduced in 1993 and has been recognized as the ultimate manual transmission of choice. With a 5.61:1 low gear ratio, 27% overdrive and a synchro-reverse, this transmission works well with the early Broncos. The adapters we manufacture only fit the Dodge gas version.



The transfer case adapter is supplied with an adapter housing, a special spud shaft, and the necessary bearings and seals. Your Ford bellhousing will also need to be adapted. The Dodge NV4500 has a 7-1/2" long input shaft. We manufacture an adapter plate that bolts to the front of this transmission. This compensates for the long input shaft and provides the necessary Ford bellhousing bolt pattern. Another consideration is the clutch disc spline. The stock Ford is 1-1/16" 10 spline, and the NV4500 is 1-1/8" 10 spline; therefore, a new clutch disc will be required. When installing these components, driveline and floorboard modifications will be required. A new crossmember mount will have to be fabricated.

- P/N 50-0209** - Dodge 23 spl. NV4500 to Bronco Dana 20 T/C adapter (adapter 7.300", tranny 12.375")
- P/N 50-0230** - Dodge 29 spl. NV4500 to Bronco Dana 20 T/C adapter (adapter 7.300", tranny 12.375")
- P/N 712551** - Dodge NV4500 to Ford bellhousing 4.848" index (adapter length 7/8")
- P/N 383735** - 11" Centerforce clutch disc
- P/N 716101-2** - Rubber crossmember mount
- P/N 716000-4** - Crossmember support for the NV4500

We offer a complete kit to use the Dodge NV4500 transmission. This assembly consists of a new transfer case adapter, transfer case linkage, crossmember mount, bellhousing or bellhousing adapter plate, clutch disc (on some applications), and shifter handle. This complete adapter package from us is a cost effective way to order. We offer rebuilt NV4500 transmissions which are the only units available today. This transmission can be purchased under **P/N 26-0029R**.

**P/N 27-0044T** - Dodge NV4500 29 spl. transmission assembly to Ford Dana 20

**C4 3 speed automatic:** Even though Ford used this transmission stock in vehicles from 1973-77, stock parts are no longer available. We manufacture a new aluminum adapter housing and a custom output shaft that is identical to the original Ford C4. This kit uses the stock Bronco spud shaft, which may need to be shortened in some applications. No driveline modifications are required when replacing a manual 3 speed that was originally mated to a V8. The automatic shifter can be obtained from either 1973-77 Bronco, or a B & M cable operated sport shifter can be used, [P/N 715680](#).

[P/N 50-4200](#) - C4 automatic to Bronco Dana 20 (adapter length 7.375", transmission 17.000")



P/N 715680

**AOD:** This automatic overdrive transmission has become very popular among Bronco owners. The gear ratio found in this transmission is great for trail and highway use. We manufacture adapters for both the early and late model AOD transmission. This transmission assembly is 1-1/2" longer than the stock V8 assembly. It requires relocation and modifications to your stock crossmember. The "T" handle transfer case shifter is the easiest linkage to use, having only minor modifications. The "J" pattern can be used - but with a little ingenuity. The adapter kit comes complete with an adapter housing, main shaft, spud shaft, bearings and seals.



[P/N 50-2703](#) - Early AOD (1980-87) to Bronco Dana 20

[P/N 50-2704](#) - Late AOD (1988 & up) to Bronco Dana 20

These kits will fit the AODE transmission with the addition of kit [P/N 716057](#) (adapter length of 6.000", transmission 20.500")

**C6 3 speed automatic:** If you are installing a high horsepower V8 and want to use an automatic, this transmission is your best choice. The C6 tranny and adapter housing will be 2-1/2" longer than your factory setup. Driveline & crossmember modifications are necessary. The stock transfer case linkage will need minor modifications to fit on this adapter housing. This kit uses a stock 4WD C6 tailshaft with 31 splines. This kit also includes a new 8" adapter housing, spud shaft, and necessary bearings and seals. (**Note:** At one time, this kit included a custom C6 output shaft with 28 splines and used the stock spud shaft. This design was discontinued in 1998).

[P/N 50-4301](#) - C6 to Bronco Dana 20 (adapter length of 8.000", transmission 20.000")

**GM Automatic transmission to Ford small blocks:** We offer an adapter plate and flywheel adapter to couple the GM automatics (TH350, TH400 & 700R) to the stock Ford engine. These adapters are 3/8" thick and provide an excellent way of combining the GM transmission into your Bronco. These kits have become very popular for the rock crawling enthusiast. It provides the ability to install the popular 700R transmission, which has a good reliable reputation and a great low 1st gear for an automatic.



[P/N 712588-A](#) GM Transmission to Ford 302 1968-80 (28 oz. balance)

[P/N 712588-B](#) GM Transmission to Ford 302 1982-97 (50 oz. balance)

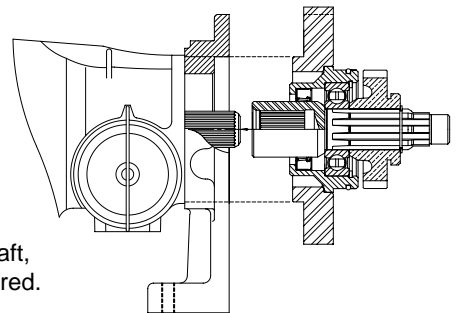
[P/N 712588-C](#) GM Transmission to Ford 302 1981

**GM TH400:** The kit includes two adapter housings, a main shaft, a spud shaft, and the necessary bearings and seals. Driveline and floorboard modifications are required.

[P/N 50-3601](#) - TH400 to Bronco Dana 20 (adapter length of 2.250", transmission 24.250")

**GM 700R:** This transmission conversion is becoming very popular. As mentioned above, the 700R is an ideal transmission for the Broncos. The 3.06:1 1st gear is ideal for rock crawling, and the .70:1 overdrive is great for mileage. The kit includes two adapter housings, a main shaft, a spud shaft, and the necessary bearings and seals. Driveline and floorboard modifications are required.

[P/N 50-2706](#) - 700R to Bronco Dana 20 (adapter length of 2.500")



**GM TH350:** This adapter kit includes two adapter housings, a main shaft, a spud shaft, and the necessary bearings and seals. Driveline and floorboard modifications are required.

[P/N 50-2707](#) - TH350 to Bronco Dana 20 (adapter length of 2.500")

### **ATLAS TRANSFER CASE:**

When replacing the Bronco Dana 20 transfer case, the Atlas is the ideal upgrade. The Atlas comes with a new input ring that exactly matches the Dana 20 transfer case bolt pattern and case rotation. Most adapters kit listed in the Bronco section can be used when coupling to the Atlas. Please refer to Pages 15-19 for more information on the Atlas or call for a free Atlas installation manual.

# 2WD & 4WD FORD BRONCO II, RANGER TRUCKS & EXPLORERS

Ford V8 engine conversions into Bronco IIs, Ranger pickups & Explorers have become very popular. Advance Adapters pioneered conversions for these vehicles for a number of years ago. We've strived to research every possible problem or difficulty you might encounter when converting your vehicle. The information covered in this section will assist you in selecting the proper conversion components. For more detailed conversion installation procedures, we recommend you download our Ford instruction manual located at [www.advanceadapters.com](http://www.advanceadapters.com) under the **Tech Vault**.

The parts we manufacture are available for small block Ford V8s retrofitting stock engines. Because of the diversity of applications, we do *not* offer complete conversion packages. We have grouped the conversion components by application. Many of our components are necessary when converting your engine and/or transmission. Items such as exhaust and radiators can be modified or sourced elsewhere.

## GENERAL CONVERSION INFORMATION:

The Rangers & Bronco IIs were first introduced in 1983, and come stock with either a 2.8 V6 or 4 cylinder. They later came equipped with a 2.9L, 3.0L or 4.0L V6 engine. Ford used various transmissions. The manual transmissions consisted of the Toyo Koygo, Mitsubishi or Mazda. These transmissions are all light-duty 4 & 5 speeds. The automatics that Ford used were the C3, C5 and A4LD. The conversion components we manufacture fit all Bronco II & Rangers. Currently, engine conversions using our components have been performed on Ranger pickups as new as 1997.

In 1991, the Ford Explorer was introduced, retiring the Bronco II models. This vehicle came stock with a 4.0L V6, and the A4LD transmission. The adapters we manufacture fit Explorers 1991-94.

*Engine Selections:* First check your local Department of Motor Vehicles for smog & engine requirements. Certain states, such as California, require the same year or newer engine as the vehicle. (The engine should be complete, retaining all smog equipment). The most recommended engine is the Ford 302. If your engine choice is a 351 Windsor, extra consideration should be given regarding exhaust clearance. A special oil pan must also be purchased.

*Transmission Selections:* On most of the stock Ford transmissions, we have listed a transmission identification code. This number is found on the driver's side door of your vehicle. This will help you identify the stock transmission equipped in your vehicle.

**C4:** The C4 automatic transmission is the most practical transmission to choose. It is durable and very easy to find. Due to design changes, we advise that you select a 1970 or newer C4. The C4 has a removable bellhousing, so make sure the bellhousing pattern is compatible with the new engine and flexplate. We recommend a 157 tooth flexplate. Be sure the starter motor engages the flexplate correctly with this bellhousing.

**C5:** The C5 was used in Ranger / Bronco II vehicles 1984-85. It has the same dimensions as the C4. If you have the C5, you simply need to change your bellhousing, torque converter, and valve body. This is to prevent having to bother with the computer module. Failure to change these parts will cause the torque converter to lock up.

**C3:** The C3 is identified by a "V" transmission code. The overall length of this transmission is 24". We do not offer any adapters to retain this transmission.

**A4LD:** The A4LD is identified by a "T" transmission code. The overall length of this transmission is 28.687". We do not offer any adapters to retain this transmission.

**Toyo Koygo 4 speed:** Transmission code "X", with an O.A.L. of 24". We offer a bellhousing adapter to retain this transmission.

**Toyo Koygo 5 speed:** Transmission code "5", with an O.A.L. of 25.937". We offer a bellhousing adapter to retain this transmission.

**Mitsubishi 5 speed:** Transmission code "D", with an O.A.L. of 28.687". We offer adapters to retain this transmission.

**Mazda 5 speed:** This transmission can normally be found in late model vehicles. The bellhousing and transmission are integral (one piece). We do not offer any adapters to retain this transmission.

For the 4WD vehicles, we also offer transfer case adapters for the AOD, T5 & Full size Ford 4WD transmissions.

*Transfer Case:* These Ford vehicles used a Borg Warner 1350 transfer case. This transfer case is a chain driven unit and is strong enough to handle the torque of a 302 engine. All of the transfer case adapters that we manufacture have the mounting bosses for the stock transfer case linkage. We also offer a transfer case upgrade. *The Atlas* (found on Pages 15-19) *has been designed to fit the Bronco II, Ranger & Explorer applications.*

*Axle Strength:* These vehicles are equipped with one of three different rear axles. Up to 1984, Ford used a 6.75 rear end, which would be marginal with the added torque. Vehicles 1985-89 had a 7.5 rear end, and 1990 & newer vehicles had a 8.8 rear end. These '85 and up axles are usually sufficient to handle the power of a V8.

*Suspension Requirements:* The installation of a V8 is about 175 lbs. heavier than stock. On 2WD applications, the suspension will normally drop about 1". We recommend using a heavy-duty shock which will compensate for this drop. On 4WD applications, the suspension is equipped to handle the extra weight. Once completing any one of these vehicles, the front alignment should be checked.

*Body Lifts:* A body lift is not required on both the 2WD & 4WD versions; however a body lift will provide additional tunnel, hood and heater/air conditioner plenum clearance.

*Firewall Modifications:* The body seam between the floorboard and firewall will normally need to be bent over. This is where a body lift will aid in clearance. In addition, the heater box on the passenger side will need to be trimmed and patched in order to clear the valve cover.



*Cooling Requirements:* The V6 radiator used from the factory on Bronco II & Rangers is not large enough to cool even the mildest V8 engine. We manufacture a 4 row copper/brass radiator which comes complete with hoses and remote filler neck. We also carry our *Rad-A-Kool* aluminum 2 core radiator with transmission cooler. These radiators can be installed while retaining the air conditioning condenser in the stock location; however, for the best fan clearance, the condenser can be moved forward and the radiator tucked under the grille. Radiators fit 2WD and 4WD vehicles. See Page 78 & 79 for more radiator information.

[P/N 716683](#) - 4 row brass radiator (w/ transmission cooler)

[P/N 716696-AA](#) - Aluminum 2 core radiator (w/ transmission cooler)

*Exhaust:* We offer headers for the Ford V8 on both the 2WD & 4WD applications. These headers are conversion headers designed to fit the 302 & 289 blocks within the engine compartment. Vehicles retaining smog equipment can use the stock manifolds off of a Maverick or Comet, or manifolds off of a 1996 & newer Ford Explorer with a 302.

[P/N 717044](#) - Ford small block header for 4WD Ranger / Bronco II (chrome)

[P/N 717044-NP](#) - Ford small block header for 4WD Ranger / Bronco II (non-plated)

\*[P/N 717044A](#) - Ford small block header for 2WD Ranger PU. (chrome) (*use with 713015A mounts*)

\*[P/N 717044A-NP](#) - Ford small block header for 2WD Ranger PU. (non-plated) (*use with 713015A mounts*)

(\*Modifications on the bellhousing are required if a 164 tooth flywheel and bellhousing are being used)

*Remote Oil Filter:* Ford V8 installations on both 2WD & 4WDs require a special remote oil filter. Many of the oil relocation kits on the market have the lines coming straight out. These kits will not clear the steering sector on the chassis. We offer a special remote oil filter kit with lines coming out at a 90 degree angle. This kit comes complete with mounting brackets and hoses.

[P/N 716084](#) - Ford remote filter adapter



*Oil Pans:* A special dual sump oil pan is required for all 2WD & 4WD conversions. This pan is normally found on 1983 & newer Mustang V8s. This pan will not fit the 351 Windsor block.

[P/N 716412](#) - 302 oil pan and pick up tube

*Fuel Pump:* In most cases, a mechanical fuel pump will interfere with the steering box and frame rail. We offer an inverted mechanical fuel pump that clears these areas. On newer injected blocks, an in-line electric fuel pump should be used.

[P/N 716052](#) - Mechanical inverted fuel pump

*Average Installation Hours:* The average conversion time on most vehicles is 40-50 hours.

## 2WD RANGERS & EXPLORERS:

We manufacture bolt-in motor mounts for these vehicles. These mounts are designed to utilize the stock Ford crossmember and stock V8 rubber mounts. The Ford rubber mount is a common V8 support, but we offer them for your convenience. When installing a small block into 2WD vehicles, we recommend using either the C4 or AOD transmission. The newly redesigned 713015A mounts bolt to the stock frame hole and are slotted to customize the best engine location for your vehicle. The components listed on the previous page are items that will assist you in this engine swap. If you are planning on using one of our conversion header systems with these motor mounts, then you must use either P/N 717044A & 717044A-NP.

P/N 713015A - Ford V8 adapter mounts for 2WD vehicles  
 P/N 713017 - Stock Ford rubber mounts



### Advance Adapters 2WD Ranger & Explorer Part Pricing:

Motor Mounts:	713015A	\$108.02	Oil Filter Adapter:	716084 -	\$ 89.72
	713017 -	\$ 69.69			
Oil Pan:	716412 -	\$176.75	Headers:	717044A -	\$347.55
				717044A-NP	\$316.89
Radiators:	716683 -	\$462.93	Fuel Pump:	716052 -	\$ 86.29
	716696-AA	\$576.33			

## 4WD RANGERS, BRONCO IIs & EXPLORERS:

**MOTOR MOUNTS:** We offer a one piece motor mount for installing the Ford V8. These mounts require that you drill two holes into your existing crossmember to secure the block. These rubber insulated mounts can then be bolted to the crossmember, and then the block set in. These mounts will place the engine high enough for oil pan clearance.

P/N 713018 - Ford V8 mounts for 4WD vehicles

**STOCK MANUAL TRANSMISSIONS:** On vehicles 1983-87 having a removable bellhousing, we manufacture an adapter plate that bolts to the stock transmission and allows the use of a standard Ford bellhousing. We recommend that you use a 1987 F150 truck bellhousing. This bellhousing is only available with a 164 tooth flywheel, which may cause tunnel clearance problems (a body lift is recommended). This bellhousing has an external slave cylinder that works well with the Bronco II / Ranger master cylinder. **Vehicles 1988 & newer used an integral bellhousing & transmission. We do not offer any adapters to retain this transmission.**

P/N 712541 - 1983-88 stock transmission adapter plate to  
 P/N CF260000 - Centerforce 11" pressure plate (bolts to flywheel)  
 P/N CF360049 - Centerforce 11" pressure plate (bolts to flywheel)  
 P/N 384070 - Centerforce 11" disc 1", 23 spline  
 P/N N1714 - Clutch release bearing



**TRANSMISSION UPGRADES WITH V8 ENGINES:** When installing a new transmission into these vehicles, we prefer to leave the stock transfer case in its original position. This alleviates driveline modifications and, in most cases, floorboard modifications. Ford used three different transmission assembly lengths between the manual & automatic transmissions mentioned earlier. Most of the adapters that we manufacture will give you three adapter options to directly replace your existing transmission. Some of the new transmission lengths are not exactly the same overall length, but the driveshaft and crossmember will normally compensate for this. We recommend that you measure your existing transmission assembly and compare this measurement to the adapters below. (Most transfer case adapters include an adapter housing and output shaft).



**C4:** The C4 is 17" long. Combined with the new adapter length, use the best adapter suited for your application.

- P/N 50-8400** - C4 to Borg Warner 1350 T/C. Adapter length of 6.812" O.A.L. 23.812".
- P/N 50-8401** - C4 to Borg Warner 1350 T/C. Adapter length of 11.5" O.A.L. 28.500".
- P/N 50-8402** - C4 to Borg Warner 1350 T/C. Adapter length of 8.75" O.A.L. 25.750".

**AOD:** The AOD is 20-1/2" long. Combined with the new adapter length, use the best adapter suited for your application. These kits come with a modified AOD output shaft, a new transfer case adapter and necessary hardware. The adapter housings have provisions for the stock rubber crossmember mount and the stock linkage (some applications may require linkage modification to fit our adapter). This kit will work with a AODE transmission with the addition of kit **P/N 716057**.

- P/N 50-8403** - AOD (up to 1987) to Borg Warner 1350 T/C  
Adapter length of 9" O.A.L. 29.500".
- P/N 50-8404** - AOD (1988 & up) to Borg Warner 1350 T/C  
Adapter length of 9" O.A.L. 29.500".
- P/N 50-8405** - AOD (1988 & up) to Borg Warner 1350 T/C  
Adapter length of 5" O.A.L. 25.500".



AOD transmission with 50-8403 adapter

**Full Size Ford 4WD transmissions:** By using any 4WD tranny, we can adapt off of the stock Ford adapter and are able to bolt these transmissions to your stock Borg Warner transfer case. These Ford transmissions had either a 28 or 31 spline output shaft.

- P/N 50-4501** - Ford 4WD tranny 28 spline to Borg Warner 1350 T/C. Adapter length of 4".
- P/N 50-4502** - Ford 4WD tranny 31 spline to Borg Warner 1350 T/C. Adapter length of 4".

**GM 700R Transfer Case Adapter:** The rear side of the transmission case should have a square bolt pattern that uses 4 bolts. There are several various lengths of output shafts that GM used; however, the stock output shaft will be replaced with a new 25 spline output shaft which is provided in the kit. This adapter can be used in either Ford Rangers or Explorers. The adapter is 4" thick. The adapter has a crossmember foot that mimics your stock A4LD tailhousing.

- P/N 50-8410** - 700R to Borg Warner T/C. Adapter length of 4".



### Advance Adapters 4WD Ranger/Bronco II Part Pricing:

Motor Mounts:	713018	\$ 209.07	Clutch disc:	384070 -	\$ 145.00
Oil Pan:	716412 -	\$ 176.75	Release bearing:	N1714 -	\$ 42.00
Radiators:	716683 -	\$ 462.93	All C4 T/C Adapters:		\$ 522.68
	716696-AA	\$ 576.33	All AOD T/C Adapters:		\$ 564.49
Headers:	717044 -	\$ 351.90	All Ford 4WD T/C Adapters:		\$ 487.83
	717044-NP	\$ 333.96			
Oil Filter Adapter:	716084 -	\$ 89.72			
Fuel Pump:	716052 -	\$ 86.29	GM 700R Adapters:	50-8410	\$522.68
Bellhousing Adapter:	712541 -	\$ 292.70			
Clutch pressure plate:	CF260000 -	\$ 189.00			
	CF360049 -	\$ 195.00			

# TOYOTA 4WD TRUCKS & 4-RUNNERS

Toyota 4WD engine conversions are extremely popular. Whether you are retaining the stock transmission or converting to a Chevy or Ford transmission, we offer the adapters necessary. This section will cover transmission-to-transfer case adapters. In order to identify the different transfer cases Toyota used, we reference to the stock transmissions in these vehicles. These transmission codes are normally found in the engine compartment on vehicles 1979-83, or the driver's side door jam on vehicles 1984 & newer.



Throughout the years Toyota used basically two types of transfer cases: chain-driven or gear-driven. All gear-driven cases have the same bolt pattern with a 2.28:1 low gear ratio. They did, however, use two input splines which were 21 and 23. The chain-driven transfer case offered two input splines which were 23 and 26. The bolt pattern on these cases differed from the gear-driven transfer case. These chain-driven transfer cases have a 2.57:1 low gear ratio. The chart on Page 65 lists the different adapters available for these 4 different transfer cases. One of the easiest ways to identify the difference between a chain or gear-driven transfer case is by looking under your vehicle. The transfer case rear cover is either bolted on with 5 bolts (chain) or 7 bolts (gear).



## 1979-1980 4-SPEED with GEAR-DRIVEN 21 SPLINE TRANSFER CASE:

The first Toyota 4WD was produced in 1979. 1979-80 vehicles used a manual 4 speed (tranny code L43). This transmission was coupled to a gear-driven 21 spline transfer case. The input shaft on this transfer case was odd because it did not have a standard spline relief as did all other Toyota 21 spline gear-driven transfer cases. On these transfer cases, some grinding is required on the input shaft for proper fit. When adapting to this transfer case, the shifter linkage will stay mounted on the transfer case.

## 1981-1983 5-SPEED with GEAR-DRIVEN 21 SPLINE TRANSFER CASE:

1981-82 tranny code L454-speed, 1981-82 tranny code L505-speed, and 1983 tranny code L525-speed. All three transmissions used in these years were all integral (one piece bellhousing and transmission). The overall length of these transmissions varied. When adapting a new engine & transmission on these year vehicles, driveline modifications should be expected. These transmissions were coupled to a gear-driven 21 spline transfer case. Although there were three different transmissions used, there was only one model transfer case used. The transfer case shifter is mounted on the top of this transfer case. The gears on this transfer case are categorized as "noisy run gears".



## 1984-1988 (Carbureted) 5-SPEED with GEAR-DRIVEN 21 SPLINE TRANSFER CASE:

1984-88 tranny G52 & G54 5-speed. These transmissions were normally coupled to a carbureted 4 cylinder. These transmissions offered a removable bellhousing, allowing these transmissions to be retained for engine swaps. These transmissions were coupled to a gear-driven 21 spline transfer case. Although there were two different transmissions used in these years, only one model transfer case was used. The transfer case shifter was mounted on the stock 5-speed tailhousing. Our adapters will allow you to retain this same shifter configuration.



## 1985-1988 (E.F.I. 4 cylinder) 5-SPEED with GEAR-DRIVEN 21 SPLINE T/C:

1985-88 tranny code W56 5 speed. This transmission was normally coupled to an electronic fuel injected 4 cylinder. The bellhousing on this transmission is removable, allowing this transmission to be retained for engine swaps. This transmission was coupled to a gear-driven 21 spline transfer case. The transfer case shifter linkage is mounted on the top of this transfer case. The gears on this transfer case are categorized as "quiet run gears".



## 1989-1995 (E.F.I. 4 cylinder) 5-SPEED with GEAR-DRIVEN 21 SPLINE TRANSFER CASE:

1989-95 tranny code W56 5 speed. This transmission was normally coupled to an electronic fuel injected 4 cylinder. The bellhousing on this transmission is removable, allowing this transmission to be retained for engine swaps. This transmission was coupled to a gear-driven 21 spline transfer case.



In 1989, the transfer case shifter linkage was relocated on the 5 speed tailhousing. The shifter mechanism for both the transfer case and the transmission were one unit. When using this transfer case with any of our transfer case adapters, you must either modify or replace your transfer case. To modify your transfer case to work with our adapters, you can change the shifter rods out to a set of rods from a 1984-88 (Carbureted

4 cyl.) transfer case or purchase a new set of shift rods, Toyota part numbers 36314-35020 (high-low rod) and 36313-35020 (front drive rod). Installing the different shift rods will allow you to retain your stock transfer case.

### 1986-1987 (Turbo E.F.I. 4 cylinder) 5-SPEED with GEAR-DRIVEN 23 SPL. TRANSFER CASE:

The transmission code is *R151F*, and this unit is used in conjunction with the turbo-charged 4 cylinder. This 5-speed has a removable bellhousing, allowing this transmission to be retained for engine swaps. This transmission was coupled to a gear-driven 23 spline transfer case. This transfer case is identical to the 21 spline transfer case except Toyota used a larger diameter 23 spline input. This input can be interchanged with any of the 21 spline cases. On high horsepower engines or vehicles with large tires, you can interchange this 23 spline input into a 21 spline case if you are concerned about strength. The transfer case shifter is located on the transmission tailhousing. Our transfer case adapter housings will allow you to retain this stock shifter configuration.



### CHAIN-DRIVEN 23 SPLINE TRANSFER CASE 1988-1994:

This 23 spline transfer case is most common in late model Toyotas. It is normally used in conjunction with a V6 or turbo-charged 4 cylinder engine. The transmission code is *R150F*. We offer a full bellhousing adapter to couple a GM engine to this transmission. The chain drive transfer case is also a popular choice to couple up to a GM transmission. Due to the stock drivetrain length, driveshaft modifications are normally required.

There are no reduction box adapters nor are there any low gear option for this transfer case. We do, however, offer an adapter to install a 23 spline Toyota gear-driven transfer case to the R150F transmission. This adapter plate then allows you to use a gear-driven transfer case with either a low gear set installed or a reduction box installed behind your stock drivetrain. [P/N 50-5707](#).

### CHAIN-DRIVEN 26 SPLINE TRANSFER CASE 1989-1995:

This 26 spline transfer case is not real common. It is normally found in Toyotas with 4 cylinders having a transmission code of *G58*. This vehicle also has a vacuum disconnect differential (VDD). Driveshaft modifications are normally required.

### TOYOTA AUTOMATIC TRANSMISSIONS:

In the mid-'80s, Toyota used a 4 speed automatic. This automatic was computer operated and had an integral transfer case (one case transmission & transfer case). We do not manufacture any transfer case or bellhousing adapters for this drivetrain assembly. When attempting to convert a vehicle with this drivetrain, we recommend that you obtain a 1979-88 (Carbureted 4 cyl.) transfer case.

#### OTHER CONSIDERATIONS:

Most of the adapters we manufacture are designed around the 1984 to 1988 21 spline gear-driven transfer case. The stock transmissions used in these years all measured 25-1/4". We try to maintain the same O.A.L. with a new transmission assembly. On the transfer case chart, we reference both adapter and transmission lengths. This will aid in determining your new transmission overall length.

A rubber mount on the transfer case supports the transmission & transfer case assembly. Due to the length of the transmission, vehicles 1979-83 retrofitting the stock 4 or 5 speed must relocate the stock crossmember. When retrofitting vehicles having a chain-driven transfer case with a V6 engine, our Chevy V8 motor mounts are supplied with an additional crossmember block that relocates the stock crossmember. Both gear & chain-driven Toyota transfer cases use an internal type shifter linkage. This linkage is located either on the stock 5 speed tailhousing or the top stock transfer case. The adapter housings we manufacture will allow you to retain either location.

To obtain the proper body clearance when installing a Chevy or Ford transmission, we recommend a 1" to 2" body lift.

### TOYOTA TACOMA, TUNDRA, and T100 STOCK TRANSMISSIONS to ATLAS T/C:

This kit is designed to adapt the Atlas transfer case to a Toyota 23 or 26 spline transmission. This adapter plate works with both the 5 speed manual transmission as well as the automatic. The adapter will allow either a right or left hand front output drop. The left hand drop (driver's side) is the same as stock. The left hand drop transfer case does require a special shift rod that is longer to allow clearance on the stock Toyota transmission tailhousing. This shift rod extension is [P/N 300379](#). The right hand transfer case allows for nearly a zero degree rotation and does not have any shift rod clearance issues. *Note:* This adapter plate will not work with a Dana 300 transfer case.

No crossmember modifications are needed. The stock mount and location are retained. Some floorboard modifications are needed. Driveshaft modifications are required and some grinding may be required on the Atlas tailhousing and shifter tower. There is also a speedometer adapter needed on later Tacoma models with VSS [P/N 300605](#).



# TOYOTA TRANSFER CASE ADAPTER CHART



Gear-driven T/C



7 bolts (gear T/C)



Gear drive T/C shifter



Chain-driven T/C



5 bolts (chain T/C)

TOYOTA TRUCKS & 4 RUNNERS TRANSFER CASE ADAPTER SELECTION CHART	21 SPLINE T/C GEAR-DRIVEN 1979-95 4 cyl. HAVING STOCK TRANNY CODE L43,L45,L50,L52, G52,G54,W56	23 SPLINE INPUT GEAR-DRIVEN 1986-87 Turbo 4 cyl. HAVING STOCK TRANNY CODE R151F	23 SPLINE INPUT CHAIN-DRIVEN 1988 & Up V6 HAVING STOCK TRANNY CODE R150F	26 SPLINE INPUT CHAIN-DRIVEN 1989-95 4 cyl. VDD HAVING STOCK TRANNY CODE G58
<b>AUTOMATICS</b>				
GM TH350 4WD TRANS. CHEVY V6 & V8 CONVERSIONS 21.5" CASE LENGTH	50-5702 (5) 3.50" ADAPTER	50-5704 (5) 3.50" ADAPTER	50-3700 (3) 3.600" ADAPTER	50-3702 (3) 3.600" ADAPTER
GM TH350 2WD TRANS. CHEVY V6 & V8 CONVERSIONS 21.5" CASE LENGTH	50-5700 (3,5) 3.50" ADAPTER	50-5703 (3,5) 3.50" ADAPTER	50-3700 (3) 3.600" ADAPTER	50-3702 (3) 3.600" ADAPTER
GM TH350 2WD TRANS. BUICK V6 CONV. 1984 & UP 21.5" CASE LENGTH	50-5900 (1,5) 6.375" ADAPTER	50-5901 (1,5) 6.375" ADAPTER	50-3700 (3) 3.600" ADAPTER	50-3702 (3) 3.600" ADAPTER
GM 700R/4L60 O/D 4 SPEED 23.375" CASE LENGTH	50-5705 (3,5) 3.50" ADAPTER	50-5706 (3,5) 3.50" ADAPTER	50-3701 (3) 3.600" ADAPTER	50-3703 (3) 3.600" ADAPTER
GM 4L60E 2 & 4WD TRANS. 23.375" CASE LENGTH	50-5705 (3,5,7) 3.50" ADAPTER	50-5706 (3,5,7) 3.50" ADAPTER	50-3701 (3,7) 3.600" ADAPTER	50-3703 (3,7) 3.600" ADAPTER
GM 4L60E 2 & 4WD TRANS W/REMOVABLE BELLHOUSING	50-5760 5.00" ADAPTER	50-5761 5.00" ADAPTER	50-0405 (4) 1.5" ADAPTER	50-0405 (4) 1.5" ADAPTER
FORD C4 3SD TRANS 11.180" CASE LENGTH	50-4400 (3,5) 8.25" ADAPTER	50-4401 (3,5) 8.25" ADAPTER		
FORD AOD AUTOMATIC 20.5" CASE LENGTH	50-4402 (3,6) 10.00" ADAPTER			
<b>MANUALS</b>				
FORD T18 4 SPEED 11.87" CASE LENGTH	50-5801 (3,5) 5.50" ADAPTER	50-5802 (3,5) 5.50" ADAPTER		
FORD NP435 4 SPEED 10.87" CASE LENGTH	50-5804 (3) 5.50" ADAPTER	50-5803 (3) 5.50" ADAPTER		
GM NV4500 4WD 31 SPL. 12.375" CASE LENGTH	50-0215 (2) 7.00" ADAPTER	50-0216 (2) 7.00" ADAPTER		
NV3550 TRANSMISSION	50-1806A	50-1807A		
DUAL CRAWLER REDUCTION BOX 4.125" TOYOTA BOX	50-5905D 2.375" ADAPTER	50-5906D 2.375" ADAPTER		
TOYOTA R150F TO GEAR DRIVE T/C	50-5708	50-5707		
TOYOTA 23SP to ATLAS TOYOTA TACOMA 26SP to ATLAS	50-5710 Adapter kit for the 5 speed and automatic Tacoma transmissions to an Atlas T/C. 50-5711 Adapter kit for the 5 speed and automatic Tacoma transmissions to an Atlas T/C.			

**NOTES:**

**SEE PAGE 85 FOR VSS INFORMATION**

- (1) THIS KIT USES A 2WD OUTPUT SHAFT (6" STICKOUT)
- (2) THE STOCK OUTPUT SHAFT MUST BE SHORTENED
- (3) THIS KIT COMES WITH A NEW OUTPUT SHAFT THAT MUST BE INSTALLED
- (4) THIS KIT REQUIRES THE USE OF A 700R KIT ALSO. IF A 4L60E SHAFT IS USED THEN KIT 50-0405E SHOULD BE ORDERED
- (5) IN VEHICLES 1984 & NEWER, THIS KIT NORMALLY WILL NOT REQUIRE DRIVESHAFT MODIFICATIONS
- (6) THIS KIT FITS 1988 & NEWER AOD TRANSMISSIONS. (IF YOU ARE USING A PRE-1988 TRANSMISSION, UPDATE KITS ARE AVAILABLE FROM YOUR FORD DEALER)
- (7) THIS KIT REQUIRES A RELUCTOR KIT, P/N 716073

# TOYOTA 4WD engine conversions & Adapters

As noted in the transfer case section, Toyota used many 4 & 5 speed transmissions. We manufacture full bellhousing adapters to retain most of these stock Toyota trannys. These bell housings adapt to the popular Chevy 4.3 V6 & V8, and the Buick V6. The transmissions we *do not* offer any bellhousing adapters for are the 4 & 5 speed transmissions (1979-83) with tranny codes L43, L45, L50 and L52. The L43 & L45 4 speeds were only used for a short time and not strong or popular enough to warrant an adapter. The L50 & L52 5 speeds were an integral (one piece) bellhousing and transmission, which makes it very difficult to adapt to.

## TOYOTA 4WD TRUCKS 1984-1995 (Tranny Codes G52, G54, W56 & G58):

These transmissions are normally coupled to the Toyota 4 cylinder. They all have the same input shaft length, spline, and bolt pattern. We manufacture one bellhousing that will adapt these transmissions to the Chevy 4.3 V6, V8, and Buick V6. This bellhousing utilizes a Toyota Land Cruiser slave cylinder. The kit includes a new GM throw out arm and special pilot bushing.

**P/N 712560** - Chevy 4.3 V6, V8 & Buick V6 bellhousing to Toyota G52, G54, W56 & G58 transmissions

**P/N 716213** - Land Cruiser slave cylinder for the 712560 bellhousing

## TOYOTA 4WD TRUCKS 1986 & NEWER (Tranny Codes R151F & R150F):

The R151F is normally coupled to the Turbo-charged 4 cylinder, and the R150F to a V6. Both of these transmissions have the same input shaft length, spline and bolt pattern. We manufacture one bellhousing that will adapt these two transmissions to the Chevy 4.3 V6, V8, and Buick V6. This bellhousing utilizes a Toyota Land Cruiser slave cylinder. The kit includes a new GM throw out arm and special pilot bushing.

**P/N 712561** - Chevy 4.3 V6, V8 & Buick V6 bellhousing to Toyota R151F & R150F transmissions

**P/N 716213** - Land Cruiser slave cylinder for the 712561 bellhousing

**CLUTCH COMPONENTS:** The bell housings listed above are designed for a 10-1/2", 153 tooth clutch and flywheel assembly. Since some of the later model GM blocks only have a 168 tooth flywheel option, we also provide our bell housings with clearance to accept a 168 tooth flywheel and clutch components. The only requirement when using a 168TH flywheel is that a hi-torque starter with no nose cone must be used. In addition, The bellhousing kits are slightly different. The bellhousing kits should have a "V" added to the kits listed above. **P/N 712560V** or **P/N 712561V**

The Toyota transmissions use a 1-1/8" 21 spline input shaft which requires a custom clutch disc. This clutch disc is a 10-1/2" Centerforce disc. We also recommend the Centerforce pressure plate for proper clutch disengagement in the bellhousing. *If clutch components from other manufacturers are used, we cannot guarantee proper clutch operation.*



Conversion bellhousing

**Clutch Components:**

- P/N CF360056** - 10-1/2" High profile pressure plate
- P/N CF165552** - 11" High profile pressure plate (must use P/N 22-0001)
- P/N 716105** - 10-1/2" 1-1/8 inch, 21 spline clutch disc
- P/N N1430** - Flat-face throw out bearing
- P/N 716231** - Clutch alignment tool 1-1/8" 21 spl.

**Flywheels:**

- P/N CF700100** - 153 tooth GM flywheel
- P/N CF700170** - 153 tooth GM flywheel (1986 & up blocks)
- P/N CF700010** - 160 tooth Buick flywheel
- P/N CF700120** - 168 tooth GM flywheel (up to 1985 blocks)
- P/N CF700160** - 168 tooth GM flywheel (1986 & up blocks)

**Hi Torque Starters:**

- P/N 22-0001** - 168TH starter, staggered bolt pattern 4.3 V6
- P/N 22-0003** - 153/168TH starter, straight bolt pattern V6 or V8

**MOTOR MOUNTS:** Toyota used a straight axle on 4WDs 1979-85, and started using an independent front suspension on 4WDs 1986 to 1995. Our motor mounts are designed for different engine blocks as well as the different front axle considerations. These mounts are for both transmission and transfer case adapters. *Since clearance may be an issue when performing an engine swap, a 2" body is recommended.* Asterisk "\*" mounts will require driveline modifications.

**Chevy V8:**

- P/N 713001-S** - Chevy V8 mounts to Toyota 1979-85 (weld-in)
- P/N 713013** - Chevy V8 mounts to Toyota 1986 & up replacing a 4 cylinder (bolt-in)
- \*P/N 713125** - Chevy V8 mounts to Toyota 1988 & up replacing a V6 (bolt-in)

**Chevy 4.3 V6:**

- P/N 713001-S** - Chevy 4.3 V6 mounts to Toyota 1979-85 (weld-in)
- P/N 713013** - Chevy 4.3 V6 mounts to Toyota 1986 & up replacing a 4 cylinder (bolt-in)
- \*P/N 713126** - Chevy 4.3 V6 mounts to Toyota 1988 & up replacing a V6 (bolt-in)

**Buick V6:**

- P/N 713011** - Buick V6 mounts to Toyota 1979-85 (weld-in)

**Ford V8:**

- P/N 713002-S** - Ford V8 mounts to Toyota 1979-85 (weld-in)
- P/N 713016** - Ford V8 mounts to Toyota 1986 & up replacing a 4 cylinder (bolt-in)

**RADIATOR:** The stock radiator used in the 4 cylinder Toyotas is not sufficient to cool the V6 & V8 engines. The stock V6 radiator is marginal for cooling. We offer a new 4-core copper/brass radiator for the Buick V6, Chevy 4.3 V6 & V8. This radiator has the proper inlet & outlet location for these blocks and includes a transmission cooler. The radiator extends 5" lower than stock. Core support modifications are required on vehicles up to 1984.

**P/N 716681** - V6 & V8 4-core radiator (measures 3" thick, 24.25" tall, and 24" wide)

We also offer our RAD-A-KOOL aluminum radiators. These radiators have blank mounting flanges for custom installations. See Pages 78 & 79 for more cooling information and cooling options.

**P/N 716698-AA** - V6 & V8 radiator (1 core with transmission cooler)

**P/N 716698-AB** - V6 & V8 radiator (1 core without transmission cooler)

**P/N 716698A-LS** - LS1 V8 radiator (1 core with transmission cooler)

**P/N 716698A-LT** - LT1 V8 radiator (1 core with transmission cooler)

**P/N 716698M-LS** - LS1 V8 radiator (1 core without transmission cooler)

**P/N 716698M-LT** - LT1 V8 radiator (1 core without transmission cooler)

**P/N 716698-S** - Stock Replacement (high efficiency aluminum replacement for 22R and 3.0 V6)  
Ideal for rigs that overheat on the trail.

**OIL PANS (FOR VEHICLES WITH I.F.S. SUSPENSION):** Although a suspension lift is not mandatory on these vehicles, we highly recommend a 3" suspension lift when installing a Chevy 4.3 V6, V8 & Ford V8. This lift drops the front axle and allows for proper oil pan clearance. For customers wanting to keep their vehicles the stock height, you will be required to modify your stock oil pan.

**EXHAUST HEADERS:** We manufacture conversion headers for V6 & V8 blocks. These headers are not smog legal. Vehicles retaining emissions equipment should use late model stock manifolds. These headers are available in chrome or Non-plated (NP).

**P/N 717011** - Chevy V8 center dump headers (vehicles 1979-85 only)

Only sold in Stainless, Ceramic coated and Non Plated on this header

**\*P/N 717053** - Chevy V8 rear dump manifold style headers (for vehicles replacing the V6 engine)

**\*P/N 717054** - Chevy V8 rear dump manifold style headers (for vehicles replacing a 4 cylinder)

**P/N 717056** - Chevy 4.3 V6 headers (vehicles 1979 & up)

**\*P/N 717041** - Buick V6 headers (vehicles 1979 & up)

**P/N 717012** - Ford V8 center dump headers (vehicles 1979-85 only)

**\*P/N 717044** - Ford V8 rear dump manifold style headers (vehicles 1979 & up)

**\*Headers will have interference problems with the release arm when used with a manual transmission.**

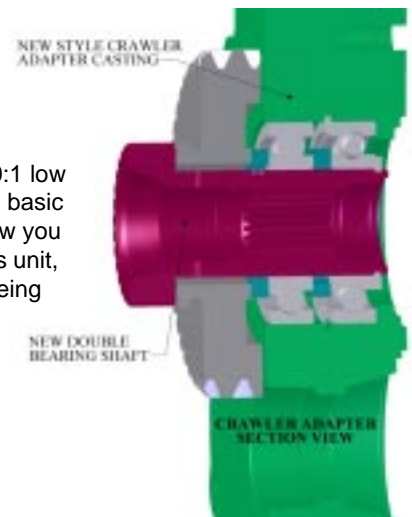
**R150/R151 Transmission to Toyota 4 Cylinder:** The R150F & the R151F were coupled to the Toyota V6 and the Turbo charged 4 cylinder. These transmissions were built to handle more torque and horsepower than the stock 4 cylinder transmissions. This adapter plate is 5/8" thick and comes with a crank spacer to retain input shaft support. **P/N 712562**

## DUAL TRANSFER CASE CRAWLER BOX (TX2):

Because of larger tires with a stock drivetrain, most Toyota trucks are not geared low enough. A double transfer case crawler adapter can be an easy solution to your gearing problems. Low gearing allows you to control crawl over obstacles; and keeping the vehicle under control saves on wear & tear and, in many cases, less breakages.

Designed for 1979-95 Toyota truck gear-driven transfer cases (21 or 23 spline), this new double bearing design is ideal to help with gear support and deflection. Tx2 kits have a casting length of only 2.375" long.

This gear box takes the stock Toyota transfer case from a low gear ratio of 2.28:1, to a 5.20:1 low gear ratio. The stock gear-driven Toyota transfer case is assembled from the factory in 3 basic portions. By using the front section of the transfer case as a donor box, our adapter will allow you to install this reduction box between your transmission and transfer case. When installing this unit, driveline and floorboard modifications are required. Since the stock transfer case is also being relocated further back, an extended speedometer cable will be necessary. The kits we offer fit both the 21 & 23 spline gear-driven transfer cases.



**P/N 50-5905D** - Tx2 Crawler Adapter for 21 spline gear-driven T/C

**P/N 50-5906D** - Tx2 Crawler Adapter for 23 spline gear-driven T/C

**P/N 716186-C** - Speedometer cable extension

The 1979-83 Carbureted and the 1985-88 EFI T/Cs have the shifter on the transfer case with a 4 bolt cast iron base of 3-1/8" x 4-3/8". When using one of these cases as a donor box, your shifters would measure 6-1/2" apart.

1984 -88 Carbureted and 1986-87 EFI Turbo T/Cs have the T/C shifter located on the transmission tailhousing with a 4 bolt aluminum base of 3-1/4" x 4". When using one of these cases as a donor box, your shifters would measure 11" apart.

The 1989-95 EFI T/C shifter is located on the transmission tailhousing. This transfer case has a 6 bolt aluminum base that houses both the transfer case & transmission shift handles. This aluminum base is 4" x 8". When using one of these cases as a donor box, your shifters would measure 10" apart.

Note #1 - The rear T/case must be a top shifting style (1979-83 Carbureted or 1985-88 EFI).

Note #2 - Reduction gear box can retain the original T/C shift rod location to match to the existing transmission, or the reduction box can be changed out to the 1979-83 carbureted or 1985-88 EFI box (T/C shift lever on reduction box).

Note #3 - Shift rods, forks & driveshaft flanges are interchangeable between all years shown.

## TOYOTA TRANSFER CASE LOW GEARS:

These Toyota Truck gears are a direct replacement for your stock gear-driven Toyota transfer case gears. There are no driveline modifications required. Average installation time between 6-8 hours. The kit includes the gear set, bearings, seals and gaskets. We also offer complete rebuild kits for your Toyota truck transfer case.

Our rock crawler gear sets offer the 4.7:1 low range. All gear sets will require some internal grinding on the Toyota case for proper clearance and fit. The Toyota shift fork boss will also require some grinding for the low gear clearance.

### TOYOTA LOW GEAR SETS:

Part No. 477021 - 21 tooth 4.7:1 GEAR SET

Part No. 477023 - 23 tooth 4.7:1 GEAR SET

Part No. 400107 - Full Transfer Case Rebuild kit (needle bearings not included)



If your truck differential ratio is:	stock 2.28 gears final drive ratio is:	has 4.7 Low Gears, final drive ratio will be:
4.10 to 1	37 to 1	77 to 1
4.88 to 1	44 to 1	91 to 1
5.29 to 1	47 to 1	99 to 1
5.71 to 1	51 to 1	107 to 1

Stock transmission first gear ratio x stock transfer case low range ratio x differential ratio.

### TOYOTA TRANSFER CASE HEAVY DUTY FRONT HOUSING:

For the new Toyota gears, the case must be machined or ground to provide clearance for the cluster gear. You can grind the necessary clearance; however, it is recommended to machine the case for this clearance.

If your not sure about this grinding or the machining process, we now offer a new heavy duty front Toyota housing. Our new Toyota HD housing can be used as a crawler box with stock Toyota gears or with our low gear sets. It can also be used as a new front housing for the lower gear sets listed above. This housing will save you time and money. When installing our low gears into a stock Toyota housing, grinding & machining on the stock case is required. Our housing has been engineered with additional clearance for our gear sets. Thus, hours of grinding & expensive machining labor are eliminated. This housing is made from 356-T6 heat-treated aluminum alloy with an average thickness of .550". A "stock" housing is die cast aluminum and only has an average wall thickness of .200". [P/N 51-5911](#)



### DANA 300 TO TOYOTA CRAWLER BOX:

The Toyota transfer case does not allow the option of controlling the power distribution to the front or rear axles independently. Our kit [P/N 50-5915](#) now allows you to couple the Dana 300 transfer case to the Toyota drivetrain with the crawler box option. This now gives you some great low range options with the shifting ability your Toyota never had.

# TOYOTA LAND CRUISERS

As far as strength is concerned, Toyota Land Cruisers are probably one of the best designed vehicles. The durability of the chassis and transfer case components offers a great opportunity for the installation of new engine & transmission assemblies. Whether your vehicle was previously equipped with a 3 or 4 speed, we offer a full line of engine & transmission conversion parts. We also manufacture components for steering upgrades, overdrives, and transmission retrofits. The following pages will cover the components that we offer for Land Cruisers. For more detailed conversion installation procedures, we recommend you download our Toyota Land Cruiser instruction manual located at [www.advanceadapters.com](http://www.advanceadapters.com) under the **Tech Vault**.



## GENERAL INFORMATION:

We offer conversion components for the 1963 to 1990 Land Cruiser models. Land Cruisers produced before 1963 used a small cast iron transfer case coupled to a manual 4 speed transmission. No adapters are available for this drivetrain. In 1963, Toyota began using a one piece aluminum transfer case coupled to a 3 speed manual transmission. This transfer case had a 10 spline input gear. Beginning in 1974, Toyota changed the transmission to a 4 speed manual. Although they continued using the same transfer case, they changed the input gear to 16 splines. In August of 1980, Toyota once again changed the drivetrain. The manual 4 speed was still being used; however, the transfer case had been upgraded to a split-case design with a 19 spline input gear. In 1990, Toyota switched to a new transfer case called the HF2A. All of these transfer cases work well when coupled to a Chevy or Ford drivetrain. The Transfer Case Adapter Chart on Page 72 highlights the various transmission-to-transfer case options. The adapters we manufacture require a few considerations.



**SEALED BEARING:** Most of the adapters on the L/C Transfer Case Selection chart come with a new 307 sealed bearing. On some of the manual transmission adapters, this bearing is not provided because the two gear boxes use the same type of lubrication. If you would rather isolate your gear box fluids, a sealed bearing can be purchased, [P/N 716301](#).

**TRANSFER CASE REBUILD KITS:** All of the transfer case adapters we manufacture require you to access the stock transfer case. Since most of these kits are dealing with this important gear box and its performance, and the transfer case is normally removed from the vehicle to install one of our kits, it's only natural that we offer transfer case rebuilding kits. The kits include the necessary seals, gaskets, and bearings for both the 3 & 4 speed transfer cases.

[P/N 401310](#) - 3 speed transfer case rebuild kit

[P/N 401416](#) - 4 speed 16 spline t/c rebuild kit

[P/N 401419](#) - 4 speed 19 spline transfer case rebuild kit

**TRANSFER CASE LINKAGE:** The 10 spline transfer case used either a vacuum or mechanical linkage. A shifter bracket for both of these linkages is not supplied in our adapter kits. On 10 spline transfer cases that are mechanical, the T/C shifter brackets listed below can be used. (*Note:* These brackets are designed around the 4-speed applications. Some modifications to your stock linkage may still be necessary). On vacuum operated linkages, we offer a pivot bracket, [P/N 716024](#). The 16 & 19 spline transfer cases are both mechanical. Most of these transfer cases brackets are include with our adapter kits to retain the mechanical linkages.

[P/N 715520](#) - TH400 linkage bracket

[P/N 715521](#) - TH350/700R linkage bracket

[P/N 715527](#) - SM420 linkage bracket

[P/N 715530](#) - SM465 linkage bracket

[P/N 715532](#) - NV4500 linkage bracket

[P/N 715539](#) - NV4500 linkage bracket (19 spline T/C)

**TWIN STICK LINKAGE:** We offer new twin stick shifter kits for the Toyota Land Cruiser transfer case. The new linkage will allow the transfer case to shift into High and Low range, and in-and-out of 4WD easily. This new product simplifies the stock Land Cruiser complex linkage. The twin stick benefits include: no linkage binding, no shifter gating, low 2WD option, smooth operation, and a universal fit. Some applications will require welding. (These kits will not fit the split style case).

[P/N 715571](#) - GM V8, SM420 or SM465 & AA T-case adapter / GM V8 with 4sp AA bellhousing

[P/N 715572](#) - Stock 6 cylinder with stock 4 speed/GM V8 with a Marks bellhousing Adapter

[P/N 715573](#) - GM V8, TH350 or 700R & our transfer case adapter

[P/N 715573B](#) - GM V8, TH400 and our transfer case adapter

[P/N 715574](#) - Stock 6 cylinder, SM420 or SM465

[P/N 715584](#) - Aluminum shifter knobs

[P/N 715584-AA](#) - Black anodized shifter knobs

**Note:** Vehicles that were previously equipped with a vacuum T/C linkage may require additional stock Toyota L/C transfer case parts.

**ENGINE TEMPERATURE SENSOR:** When installing a Chevy engine, we offer a couple of options depending of the year of your block. Our [P/N 716023](#) temperature bushing will allow you to retain your stock sensor on the GM intake as long as the GM block has a 1/2" bung. The newer GM blocks changed the intake thread size to a smaller thread diameter. On these applications, we offer an upper radiator hose adapter. This in-line temperature sensor adapter allows you to retain your vehicles stock temperature sending unit and stock gauge. The units are offered in either 1-3/8" or 1-1/2" hose diameter to fit most block and radiator configurations. The sensor hole is 1/2" which fits the 716023 bushing list above.

[P/N 716673A](#) - 1-3/8" with 1/2" sensor hole

[P/N 716674](#) - 1-1/2" with 1/2" sensor hole



**EXHAUST:** We design and manufacture our own header systems that complement the engine conversion business. The headers listed below are for Chevy & Ford V8 engine conversions. The Chevy headers are offered in both a "fender well" or "inside-the-frame rail" design. For smog legal conversions, stock manifolds off of a late model Chevy passenger car work the best. (**Note:** If your Land Cruiser has stock steering, these rear dump manifolds may interfere). These headers are available in chrome or Non-plated (NP).

- P/N 717006 - Fender well Chevy V8 headers
- \*P/N 717011 - Ram horn style Chevy V8 headers (inside-the-frame rail)
- P/N 717012 - Inside the frame rail Ford V8 header
- P/N 717015 - Fits blocks with a std port heads and angle plugs.
- P/N 717016 - Fits D-port heads with angle plugs.
- P/N 717043 - Gen III center dump headers.
- \*Only sold in Stainless, Ceramic coated and Non Plated

**SAGINAW STEERING:** We offer complete Saginaw steering kits for Toyota Land Cruisers. The stock steering often had excessive play and backlash. The Saginaw system is a proven advantage for these vehicles. The Saginaw steering conversions and components are listed on Pages 41 through 44. Saginaw steering will provide your Land Cruiser with a more responsive steering system, more engine compartment space, and easier exhaust clearance.

**CROSSMEMBERS 1963-1980:** Land Cruisers have the stock transmission & transfer case supported by using bellhousing mounts. When installing a new transmission, a new crossmember is mandatory. We offer two types of crossmember designs.

The most popular design bolts on the back of the stock transfer case. There is a 6 bolt cover that must be removed and our new crossmember bolted in its place. This crossmember extends to the inner frame rails. It is supported by L-brackets that must be welded to the frame rail. These components are insulated on rubber cushions.



- P/N 716022 - T/C crossmember support
- P/N 716022-TSW - T/C support for FJ55s & long tranny assemblies

We also manufacture another option for transmission support, P/N 716004. This crossmember is designed for the TH350, 700R & TH400. This mount bolts to the bottom of the adapter housing using a stock GM rubber mount. This tubular crossmember extends to the inner frame rails. It is supported by L-brackets that must be welded to the frame rail. This mount only fits the one piece Land Cruiser transfer case.



**CROSSMEMBERS 1981-1990:** Land Cruisers with the split style 19 spline transfer case used a crossmember that was located underneath the stock transmission. This crossmember is a weld-in unit that comes with two new L-brackets for your frame rails and works with the stock rubber support. The crossmember works with the TH350 and 700R transfer case adapters.

- P/N 716183 - fits FJ60 & FJ62 Land Cruisers

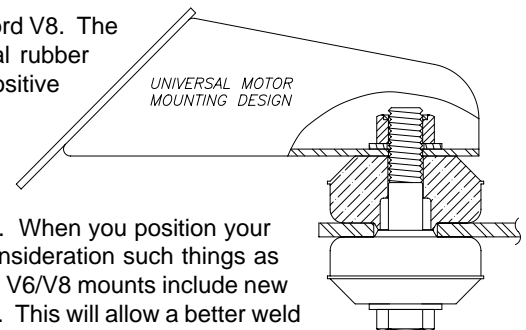
**MOTOR MOUNTS:** The motor mounts we offer are for the Chevy V6/V8 and Ford V8. The V6/V8 mounts are a complete frame-to-block mounting system that uses a dual rubber donut design locked together with a hardened bolt. This combination offers a positive means of securing the engine for the most severe offroad conditions.

Our universal motor mounts can be adjusted to accommodate the best possible engine location. Our universal Chevy and Ford side mounts are your best choice for Land Cruisers. The universal mounts are designed to be welded into position. When you position your engine (with the weld-in mounts), you must take into consideration such things as oil pan, steering box, and firewall clearances. Our Chevy V6/V8 mounts include new scab plates that should be welded to the inner frame rails. This will allow a better weld for the engine support bracket to the frame. On Ford V8 universal mounts, the frame enclosures can be ordered under P/N 713124-PLT.



- P/N 713124 - Chevy V6/V8 motor mounts
- P/N 713088 - Chevy LS1 and Vortec Gen III V8 motor mounts  
(see Page 82 & 83 for additional adapter information)
- P/N 713002 - Ford V8 motor mounts

Photo illustrates motor mount installed with Saginaw steering conversion



**Gas Pedal:** We now offer a large custom Lokar gas pedal and bracket for Land Cruisers 1974-84. The bracket can be ordered under P/N 715565, and pedal under P/N 23-0013.

**RADIATOR:** Most FJ40 applications can retain the stock radiator. However, we offer our aluminum cross flow RAD-A-KOOL 2-core radiator with or without a transmission cooler. Listed on **Page 78 & 79** is additional information on the RAD-A-KOOL line and related cooling components. *Note: Late model Land Cruisers with factory A/C require a special wider radiator different than the ones listed below.*

**P/N 716697-AA** - FJ40 V8 Auto Trans  
**P/N 716697A-LS** - FJ40 LS1 V8 Auto Trans  
**P/N 716697A-LT** - FJ40 LT1 V8 Auto Trans

**P/N 716697-AB** - FJ40 V8 Manual Trans  
**P/N 716697M-LS** - FJ40 LS1 V8 Manual Trans  
**P/N 716697M-LT** - FJ40 LT1 V8 Manual Trans  
**P/N 716699-AB** - FJ60 V8 Manual Trans

**DISTRIBUTOR CLEARANCE:** A V8 engine fits well in the Land Cruiser engine compartment. Most applications do not require any firewall modifications. On some applications using a large H.E.I. distributor cap, firewall modifications may be required.

**VEHICLE SPEED SENSORS:** See **Page 85** for information on VSS.

**ALUMINUM BILLET SHIFTER KNOBS:** We offer new black anodized shift knobs for both the stock Land cruiser 4 speed and 5 speed manual transmission. **P/N 715592** fits the 4 speed and **P/N 715593** fits the 5 speed.

## TRANNNY RETROFITS:

### *SM465:*

Some customers prefer not to replace the stock Land Cruiser engine. For these applications we offer the SM465 transmission option. By using a 1963-73 Land Cruiser 3 speed bellhousing, we are able to adapt the popular SM465 transmissions to your stock engine. This kit is a custom machined new transmission retainer which allows the use of the stock Land Cruiser bellhousing. This kit adapts the new transmission to the bellhousing. A transfer case adapter kit will also be required.

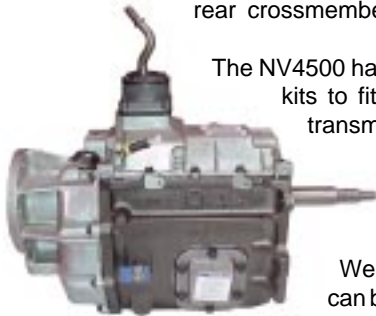
**P/N 712519** - SM465 to Land Cruiser 6 cylinder  
**CF043518** - Aug.1974-1987 stock 6 cylinder clutch assembly

### *NV4500 to stock TLC 6 cyl.:*

The NV4500 5-speed transmission is also an option when retaining the Land Cruiser 6 cylinder. We offer a limited selection of kits that utilize the Land Cruiser stock 4 speed bellhousing. Please call for part availability before starting.

### *NV4500 with CHEVY V8 (TRANSMISSION PACKAGES):*

We offer transmission assemblies designed for the Chevy V8 installation. These transmission packages include a transfer case adapter, full bellhousing, slave cylinder bracket, release bearing and a new shifter handle. These kits do not include motor mounts, rear crossmember or clutch components.



The NV4500 has been manufactured in many different configurations. We have put together these transmission kits to fit 2 of the most common NV4500 applications made. The GM 1996 & newer NV4500 4WD transmission will fit the three adapter assemblies with the part number ending with a "G"; and the Dodge 2001-05 NV4500 4WD transmission will fit the three adapter assemblies with the part number ending with a "T". All other versions and years of the NV4500 are good, acceptable transmissions to use with our individual adapters.

We offer rebuilt NV4500 transmissions which are the only units available today. The GM 4WD NV4500 can be purchased under **P/N 26-0007R**, and the Dodge 4WD 29 spl. NV4500 under **P/N 26-0029R**.

**P/N 27-0020T** - Dodge 29 SPL. NV4500 to Land Cruiser 10 spline T/C and a V8 engine **O.A.L.25.350"**

**P/N 27-0021T** - Dodge 29 SPL. NV4500 to Land Cruiser 16 spline T/C and a V8 engine **O.A.L.25.350"**

**P/N 27-0022T** - Dodge 29 SPL. NV4500 to Land Cruiser 19 spline T/C and a V8 engine **O.A.L.25.350"**

**P/N 27-0020G** - GM 4WD NV4500 to Land Cruiser 10 spline T/C and a V8 engine **O.A.L.24.850"**

**P/N 27-0021G** - GM 4WD NV4500 to Land Cruiser 16 spline T/C and a V8 engine **O.A.L.24.850"**

**P/N 27-0022G** - GM 4WD NV4500 to Land Cruiser 19 spline T/C and a V8 engine **O.A.L.24.850"**

<b>TOYOTA L/C SELECTION CHART GM AND FORD</b>	<b>TOYOTA 3 SPEED TRANSFER CASE 10 SPLINE <i>1963-1973</i></b>	<b>TOYOTA 4 SPEED TRANSFER CASE 16 SPLINE <i>1974- JULY 1980</i></b>	<b>TOYOTA 4 SPEED T/Case 19 SPLINE <i>AUG. 1980 to 1990 SPLIT-CASE DESIGN</i></b>	<b>TOYOTA L/C HF2A T/C <i>1990-2002 REPLACING AUTO</i></b>
<b>MANUAL TRANSMISSIONS</b>				
<b>GM SM420 4 SPEED</b> 10" CASE LENGTH	50-2601 (3) 4.5" ADAPTER	50-2602 (3) 4.5" ADAPTER	50-2603 (3) 5.00" ADAP.	
<b>GM SM465 4WD 10 SPL.</b> 12.0" CASE LENGTH	50-4601 (3) 4.625" ADAPTER	50-4602 (3) 4.625" ADAPTER		
<b>GM SM465 2WD 35 SPL.</b> 12.0" CASE LENGTH	50-4901 (3) 4.625" ADAPTER	50-4902 (3) 4.625" ADAPTER	50-4903 (3) 5.125" ADAPTER	
<b>FORD T18 4 SPEED</b> 11.87" CASE LENGTH		50-8000 3.75" ADAPTER		
<b>FORD NP435 4 SPEED</b> 10.87" CASE LENGTH	50-6201 (3) 3.325" ADAP.	50-6202 (3) 3.325" ADAP.		
<b>GM NV4500 4WD 31 SPL.</b> 12.375" CASE LENGTH	50-0211 (2,3) 5.87" ADAP.	50-0213 (2,3,5) 5.87" ADAP.	50-0214 (2,3,5) 5.87" ADAP.	
<b>DODGE NV4500 4WD 23 SPL.</b> 12.375 CASE LENGTH	50-0225 (3) 6.375" ADAP.	50-0226 (3,5) 6.375" ADAP.	50-0227 (3,5) 6.375" ADAP.	
<b>DODGE NV4500 4WD 29 SPL.</b> 12.375" CASE LENGTH	50-0222 (3) 6.375" ADAP.	50-0223 (3,5) 6.375" ADAP.	50-0224 (3,5) 6.375" ADAP.	
<b>GM MUNCIE 4 SPEED</b> 10" CASE LENGTH <b>NOTE 6</b>	50-0300 4.5" ADAPTER			
<b>WARNER SUPER T10 4 SP.</b> 9.5" CASE LENGTH (THIN HUB) <b>NOTE 6</b>	50-9501 5.75" ADAPTER	50-9601 5.75" ADAPTER		
<b>WARNER SUPER T10 4 SP.</b> 9.5" CASE LENGTH (THICK HUB) <b>NOTE 6</b>	50-9502 5.75" ADAPTER	50-9602 5.75" ADAPTER		
<b>WARNER SUPER T10 4SP.</b> 9.5" CASE LENGTH <b>NOTE 6</b>	50-9503 5.75" ADAPTER	50-9603 5.75" ADAPTER		
<b>FORD T &amp; C 4 SPEED</b> 10.25" CASE LENGTH <b>NOTE 6</b>	50-2800 1.20" ADAPTER	50-2801 1.20" ADAPTER		
<b>FORD T&amp;C 4 SPEED O.D.</b> 10.25" CASE LENGTH (CAR TRANS)	50-5500 1.20" ADAPTER			
<b>LANDCRUISER 4 SPEED</b> (These kits allow a 3SP T/C to bolt to the 4SP tranny)	50-8800 or 716107			
<b>SEE PAGE 85 FOR VSS INFORMATION</b>				
<b>AUTOMATIC TRANSMISSIONS</b>				
<b>GM TH350 2 &amp; 4WD TRANS.</b> 21.5" CASE LENGTH <b>NOTE 7</b>	50-7300 (1,3) 5.25" ADAP.	50-7400 (1,3,5) 5.25" ADAP.	50-7401 (1,3,5) 6.75" ADAP.	
<b>GM TH400 2 &amp; 4WD TRANS.</b> 24.25" CASE LENGTH (THICK HUB) <b>NOTE 7</b>	50-1500 (3,5) 2.68" ADAP.	50-1600 (3,5) 2.68" ADAP.	50-1700 (3) 3.187" ADAP.	
<b>GM 700R / 4L60 O/D 4 SPEED</b> 23.375" CASE LENGTH <b>NOTE 7</b>	50-8901 (1,3) 6.75" ADAP.	50-8902 (1,3,5) 6.75" ADAP.	50-8903 (1,3,5) 6.75" ADAP.	50-8904A (1,2) 9.17" ADAP.
<b>GM 4L60E 2WD</b> 23.375" CASE LENGTH <b>NOTE 7</b>	50-0406 (3,5) 6.75" ADAP.	50-0407 (3,5) 6.75" ADAP.	50-0408 (3,5) 6.75" ADAP.	50-0409 (1,2) 9.17" ADAP.
<b>GM 4L60E 2 &amp; 4WD TRANS. W/REMOVABLE BELLHOUSING</b> <b>NOTE 7</b>	50-0406A 8.25" ADAP.	50-0407A 8.25" ADAP.	50-0408A 8.25" ADAP.	50-0420 (1,2) COMPLETE KIT
<b>GM 4L80E 4WD TRANS.</b> 26.000" CASE LENGTH	50-1501 (3,5) 2.68" ADAP.	50-1601 (3,5) 2.68" ADAP.	50-1701 (3,5) 3.187" ADAP.	50-1702 5.24" ADAP.
<b>FORD C4 3 SP. TRANS.</b> 11.180" CASE LENGTH	50-8200 (3) 7.25" ADAP.	50-8300 (3) 7.25" ADAP.		
<b>NP203 REDUCTION BOX</b> 5.50" CASE LENGTH	50-8801 1.59" ADAP.	50-8802 1.59" ADAP.		

**NOTES:**

- (1) THIS KIT USES A 2WD OUTPUT SHAFT (6" STICKOUT)
- (2) THE STOCK OUTPUT SHAFT MUST BE SHORTENED
- (3) THESE ADAPTERS COME WITH A NEW SEALED BEARING
- (5) THESE ADAPTERS ARE SUPPLIED WITH A TRANSFER CASE BRKT.
- (6) THESE TRANSMISSIONS ARE SIDE SHIFTED. (con't next column)

(6) BELOW ARE THE SHIFTER BRACKETS, ROD KITS & HURST SHIFTER WE OFFER.

- |                            |                                  |
|----------------------------|----------------------------------|
| 715501 MUNCIE BRACKET      | 715625 MUNCIE ROD KIT (MS)       |
| 715600 HURST SHIFTER       | 715502-NS SUPER T-10 SHFT. BRKT. |
| 715626 MUNCIE ROD KIT (FS) | 715644 OFFSET HANDLE             |
| 715627-NS SUPER T-10       |                                  |

(7) TO ALLOW ADDITIONAL FRONT DRIVESHAFT CLEARANCE, WE OFFER 3 YOKE KITS: P/N 716370 (Coarse spline), P/N 716371 (Fine spline), P/N 716369 (19 spl.)



# TOYOTA LAND CRUISER BELLHOUSING ADAPTERS

Land Cruiser engine conversions are extremely popular due to the cost and availability of stock GM and Ford engine parts. The components covered in this section are for retaining the stock transmission. The components listed on these pages are offered individually or as part of a conversion kit. The bellhousing conversions below will list our products as well as a products we import from Australia. Motor mounts, crossmember, and other conversion information listed on the previous pages will also need consideration.



## RETAINING THE STOCK 3 SPEED TRANSMISSION:

This transmission was offered in both column and floor shifted models. Our kit is only compatible with the floor shifted transmission. If your transmission is column shifted, you can either upgrade to a floor shifted 3 speed or use a different transmission.

The stock 3 speed transmission can be retained when using a Chevy or Ford V8. The adapter kits for mating this stock 3 speed are a simple spacer plate and bearing retainer, which does not require any transmission modifications. To obtain the proper firewall clearance, the transmission and transfer case assembly will need to be relocated a minimum of 3-1/2" forward. On many of these applications, you can simply reverse the driveshafts (front to rear, rear to front).

Land Cruisers utilize a hydraulic clutch mechanism. When using the Chevy adapter, we offer a bracket that will retain your stock slave cylinder on the Chevy bellhousing.

### Chevy V8 conversion kit 713028-EK:

- P/N 712523 - Bhsg. adapter plate (fits GM bellhousing w/4.686" index)
- P/N 713124 - Motor mounts
- P/N 716022 - Crossmember
- P/N 716023 - Temperature bushing
- P/N 716024 - T/C pivot shifter
- P/N 716176 - GM release arm
- P/N 716287 - Slave cylinder brkt.
- P/N 716316 - Release bearing

### Ford V8 conversion kit 713023-EK:

- P/N 712524 - Bhsg. adapter plate (4.848 index)
- P/N 713002 - Motor mounts
- P/N 716022 - Crossmember
- P/N 716023 - Temperature bushing
- P/N 716024 - T/C pivot shifter
- P/N 716177 - Ford release arm

## RETAINING THE STOCK 4 SPEED TRANSMISSION:

The stock 4 speed transmission can be retained when using a Chevy or Ford V8. There are two styles of adapter kits for mating the stock 4 speed to these engines.

We manufacture a new bellhousing that bolts the Chevy V8 to the Land Cruiser 4 speed. Our bellhousing will require the transfer case to be relocated forward a minimum distance of 3-1/2". This relocation is required for clearance necessary around the Chevy V8 distributor. This kit also requires driveshaft & floorboard modifications. Be aware that placing the engine too far forward can cause excessive clearance issues with the 4 speed shifter and heater vent. Also, most shifter handles will need to be modified to provide heater vent clearance.

Chevy V8 conversion kit **P/N713024-EK**: (This kit consist of the following items which are available individually)

- P/N 712532 - Bhsg. adapter
- P/N 713124 - Motor mounts
- P/N 716022 - Crossmember
- P/N 716023 - Temperature bushing

(These parts should not be used on FJ60 vehicles due to crossmember modifications)



Another option to retain the stock 4 speed is to use a *Mark's 4WD* adapter kit. They offer conversion bell housings for both the Chevy and Ford engines. These bellhousing adapters are 4-7/8" thick and mounts directly onto the engine side of the original Land Cruiser bellhousing. Although the Mark's 4WD kits are slightly more expensive than our design, their special housings provide a very distinct advantage of retaining the drivetrain in the stock location eliminating any relocation of the transfer case. Both of the Mark's 4WD kits retain the stock clutch linkage & slave cylinder and includes a new release bearing.



### Chevy V8 conversion kit **713025-EK**\*:

- P/N 712525 - Bhsg. adapter
- P/N 713124 - Motor mounts
- P/N 713038 - Bhsg. mount

\*The 713025-EK kit consists of the items above which are also available individually.

### Ford V8 conversion bellhousing:

- P/N 712526 - Ford bellhousing adapter (shown above)
- P/N 713002 - Motor mounts
- P/N 713038 - Bhsg. mount

## RANGER TORQUE SPLITTER / OVERDRIVE to STOCK 4 SPEED:

We offer an 27% overdrive unit that bolts to the front of your stock Land Cruiser 4 speed transmission. This unit acts as the adapter bellhousing, which provides the proper spacing to leave the stock 4 speed transmission in the stock location. The Ranger Torque Splitter is a synchronized gear box giving you the availability of 8 forward gears. For more information refer to Page 52. Call and request a copy of the Ranger Instruction Sheet "Ranger OD" or view online in the Tech Vault at [www.advanceadapters.com](http://www.advanceadapters.com).



**LAND CRUISER AUTOMATICS (A440F & A440L):** These transmissions were found in both the FJ60, 62, 80 & 100 series Land Cruisers. They were found coupled to either a 3F or diesel engine. Mark's 4WD offers kits to fit to either an early or late model Chevy V8 directly to these transmissions. These kits use a stock GM flexplate on the engine, a crank spacer, and then a special adapter ring which bolts to the stock Land Cruiser torque converter. The kit sets the engine in the right location so driveline modifications should be avoided. The FJ80 and 100 series also requires a tachometer interface kit, [P/N 716242](#).



- [P/N 712535-A](#) Land Cruiser FJ60 & 62 Automatic to GM V8 1985 & earlier
- [P/N 712535-B](#) Land Cruiser FJ60 & 62 Automatic to GM V8 1986 & up
- [P/N 712535-C](#) Land Cruiser FJ80 & 100 series Automatic to GM V8 1985 & earlier
- [P/N 712535-D](#) Land Cruiser FJ80 & 100 series Automatic to GM V8 1986 & up

## NV4500 BELLHOUSINGS:

The NV4500 has become a popular transmission when installing a Chevy or Ford engine in a Land Cruiser. The adapters listed below are necessary to perform this conversion.

- [P/N 712577](#) - GM NV4500 (1993-95) to GM block, full bellhousing (*11" clutch recommended*)
- [P/N 712576](#) - GM NV4500 (1996 & up) to GM block, full bellhousing (*11" clutch recommended*)
- [P/N 712550](#) - Dodge Gas NV4500 to GM 5.125" bellhousing indexed adapter plate
- [P/N 712551](#) - Dodge Gas NV4500 to Ford 4.848" bellhousing indexed adapter plate  
(Dodge NV4500s can use bellhousing [P/N 712576](#) by installing a new input shaft, [P/N 52-0221](#).)

## CLUTCH COMPONENTS:

Whether you are retaining your stock 3 or 4 speed transmission or upgrading to a new 4 or 5 speed, clutch considerations will need to be addressed. We highly recommend retaining the stock Land Cruiser slave cylinder. Whether you are using a stock GM or a conversion bellhousing, we offer the brackets to retain this slave cylinder.

- [P/N 716287](#) - Chevy bellhousing to Land Cruiser slave cylinder bracket
- [P/N 716288](#) - Conversion bellhousing to Land Cruiser slave cylinder bracket

We offer a new Land Cruiser slave cylinder, [P/N 716119](#). This slave cylinder has a very short release. When converting to a V8 engine and using an aftermarket clutch assembly, you play havoc attempting to get your clutch to release properly. We highly recommend using Centerforce or Luk clutch components. Centerforce & Luk use a low diaphragm pressure plate that works in conjunction with a large diameter, radius-face bearing. This combination is proven to work with the Land Cruiser hydraulic release system.



716288 bracket

### Chevy engines:

- [P/N LC165473S](#) Luk 11" low profile pressure plate & disc
- [P/N CF165473S](#) Centerforce 11" low profile pressure plate
- [P/N 383735](#) - Centerforce 11" clutch disc
- [P/N CF700120](#) Centerforce 168 tooth flywheel (up to 1985 blocks)
- [P/N CF700160](#) Centerforce 168 tooth flywheel (1986 & up blocks)
- [P/N 716316](#) - Release bearing for stock Chevy transmissions & Land Cruiser 3 spd. transmission
- [P/N 716314](#) - Release bearing for Land Cruiser stock 4 speeds
- [P/N 716176](#) - Stock GM release arm

**Gen. III Vortec engines:** [P/N 712500T](#) 11" Flywheel (includes a LC165473s)

### Ford engines:

- [P/N CF260000](#) Centerforce 11" pressure plate (3 sets of 2 bolt pattern)
- [P/N CF360049](#) Centerforce 11" pressure plate (6 bolts evenly spaced)
- [P/N 281226](#) - Centerforce 11" clutch disc
- [P/N 716311](#) - Release bearing for stock Ford transmissions & Land Cruiser 3 spd. transmission



**Orion Low Range Transfer Case:** Advance Adapters is proud to offer the Orion transfer case. This low ratio (4.0:1 or 3.0:1), cast iron case designed transfer case is sure to capture the attention of the Land Cruiser enthusiast. Advance Adapters is not the manufacturer of this new transfer case; however, we are the exclusive distributor.

The Orion kits come with a new cast iron case, four new gears, a new 34mm cluster pin, and a complete gasket bearing and seal kit. This transfer case, however, is not a complete "ready-to-bolt-in" unit like the Atlas. The transfer case does require the use of your stock front and rear output shafts and housing. The new unit also requires the use of the stock P.T.O. gear and inspection covers.

**ORION4**            4.0:1 fits vehicles with 10 or 16 spline inputs  
**ORION3**            3.0:1 fits vehicles with 10 or 16 spline inputs

### ORION PRICING:

*4.0:1 Low Gear 10 or 16 Spline - starting at \$1611.95*  
*3.0:1 Low Gear 10 or 16 Spline - starting at \$1611.95*

We also have the installation instructions online at [www.advanceadapters.com](http://www.advanceadapters.com). Search Orion and look at the technical info link.

*Note:* When using the Orion transfer case with a Toy Box, the Orion will require modifications to the top of the case for the Toy Box shifter rail.

We do carry replacement output shafts for the Orion transfer case. We have found that most stock transfer case output shafts have excess wear on the gear journals. These new shafts provide a closer tolerant installation for the Orion gears.

**P/N O40500** - T/Cs up to 4/1975  
**P/N O40501** - T/Cs 4/1975 to 7/1980

We also carry replacement Hi/Low shifter sliders for the Orion transfer case. These are also prone to excess wear and should be replaced. **P/N O50010**.

In addition, we have a replacement PTO cover (**P/N O51062**), a replacement shifter cover (**P/N O51060**), and an actuator shaft and lever for the shifter cover (**P/N O60042**).



# TOYOTA LAND CRUISER ROCK CRAWLING OPTIONS:

**FJ60 & FJ62 TRANSFER CASE LOW GEARS:** We offer several gearing options for the 19 spline split transfer case. We still offer the gear sets from Marks 4wd in Australia. They make two ratios of gear sets for the FJ60 transfer cases August 1980 to January 1990. The first set has an 8% overdrive and a 2.81:1 low range, and the second has an 8% underdrive and 3.05:1 low range. We now offer a third gear set that is a 4.0:1 low ratio and retains the 1.1:1 high range(10% underdrive). All gear sets require a small amount of internal case modifications to clear the new gear diameters; however, the installation of any gear set *does not* require any floorboard, driveshaft, or crossmember modifications.

The FJ60 & FJ62 used two different cluster pin diameters on the idler gears: 34mm cluster pin transfer cases were used from August 1980 to October 1985, and 38mm cluster pin transfer cases were used from October 1985 to January 1990.

**716920** - 8% overdrive and a 2.81:1 low range FJ60s with the 34mm cluster pin

**716920UD** - 8% underdrive and 3.05:1 low range FJ60s with the 34mm cluster pin

**716921** - 8% overdrive and a 2.81:1 low range FJ60s with the 38mm cluster pin

**716921UD** - 8% underdrive and 3.05:1 low range FJ60s with the 38mm cluster pin

**716934A** - Idler pin kit for 4:1 low range FJ60s with the 34mm cluster pin(must use 716938 kit also)

**716938** - 4.0:1 low range FJ60s with the 38mm cluster pin

**401419** - T/C REBUILD KIT



The 4:1 low gear set offers you some gearing options without swapping axles or drivetrain components and requires no drive shaft modifications. The kit does not include bearings or new seals. We recommend obtaining a Toyota service manual for the proper disassembly procedures and the proper torque specifications during reassembly.

The installations of the 4:1 gears requires some machining to the rear half of the Toyota transfer case. The machining should be performed at a machine shop to ensure that proper case clearance is obtained without removing too much case material and weakening the case.

*Note: This gear set will also alter your high range ratio. The high range ratio will now result in a 10% underdrive.*

**FJ40 & FJ55 NP203 REDUCTION BOX:** These kits offer a 2:1 reduction for your Land Cruiser. They are designed to be used with the stock Land Cruiser 3 & 4 speed transfer cases. These kits are designed to use the front half of the GM NP203 transfer case, which houses the low gear set. These kits only work with a TH350, 700R-4, TH400 or SM465. Transfer case linkage, crossmember, and floorboard modifications are necessary. Due to the added length, driveshaft modifications will be necessary. Moving the engine forward may compensate for some of the added length; and by removing your mechanical fan and going with an electric pusher fan, you may be able to save up to 4" of your driveline.

**P/N 50-8801** - Toyota Land Cruiser 3 speed transfer case to NP203 reduction box

**P/N 50-8802** - Toyota Land Cruiser 4 speed transfer case to NP203 reduction box

# Land Rover TRANSFER CASE ADAPTERS:

## *Land Rover "Series" T-case*

We offer 3 different adapters that couple the Land Rover "Series" transfer case to several different transmissions. The adapters are all the same in that they adapt the "Series" transfer case to a circular transmission bolt pattern. This circular pattern is what Jeep used beginning from 1980 to newer Jeep drivetrains. Being that we offer a full line of GM, Ford & Dodge transmission options for Jeeps, using the Jeep adapter with the new Land Rover adapter offers limitless choices. There are three Land Rover adapters because of the different transmission output spline options. The kits are as follows:

- P/N 50-9000** - 23 spline kit fits most stock Jeep transmissions as well as and transmissions we offer Jeep transfer case adapters for. For transmissions like the Ford T18 & NP435, you will need to purchase a Jeep adapter also.
- P/N 50-9001** - Fits only the Dodge NV4500 transmission with a 29 spline output shaft.
- P/N 50-9002** - Fits only the SM465 10 spline transmission.

These adapters have been designed for the series I,II,IIA,IIB and III transfer cases, including both the rare 1 ton and the aftermarket overdriven versions. Essentially, this adapter is installed on the front side of the "series" transfer case. This adapter is used in conjunction with one of our Dana 300 adapters or a stock tailhousing. The adapter is constructed of 356-T6 heat-treated aluminum alloy. The spud shaft is a precision machined shaft made of 8620 material. The spud shaft is supported by two large ball bearings and has an external seal. By manufacturing the adapter this way the shaft is supported very well. The adapter has provisions to cover the relocated idler pin in the overdriven, aftermarket version. The stock drive gear train is retained and reused in the transfer case. The front side if the adapter is modeled after the Atlas and Dana 300 transfer case. The mounting surface is a circular six with multiple rotation options. This allows the installer to fine tune the installation of the replacement transmission and engine combination. The adapter is 1.750" thick.

### **Chassis modifications:**

The battery tray structure will have to be removed to allow the fitment of a "V" type engine. The original motor mounts need to be cut off the frame. The front cross member will require a notch or scallop made for front drivshaft clearance, similar to the military LWB. On some series I,II,IIA, it is advisable to remove the web on the front crossmember. The web is on the driver's side (LHD). This provides clearance for the exhaust to pass over the crossmember and down the inside of the chassis. The transmission crossmember will also need modifying. Depending upon your mounting method, you can retain the crossmember if mounting from the transfer case using the original studs. It may need to be moved on the chassis depending upon engine placement. If using the mounting surface provided on our adapters, a new crossmember will need to be fabricated. The park brake bell crank will also have to be modified to maintain the correct geometry to operate well. The cross shaft may also need to be modified due to the height of engine placement. On LWB models, the crossmember behind the transfer case (where the original driveline passed through) will need to be removed and replaced with a section of rectangular tubing similar to the removable crossmember of a Discovery or a Range Rover.

### **Necessary sheet metal modifications:**

To maintain the original external appearance of the vehicle and allow for ample cooling capacity, the "breakfast" or headlight panel will need to be modified. The original radiator will not be adequate to keep the replacement engine cool. To make room for a larger radiator, the original radiator support structure needs to be removed. The original radiator overhangs past the first crossmember. The panel is easily modified by drilling through the spot welds and gently levering the two pieces apart. The latch is no longer used. You will need to purchase military hood latches. This provides the space for a radiator on top of the first crossmember. It is advisable to convert to power steering. When converting to power steering, the steering relay is removed allowing greater room for a new radiator.

To provide room for a "v" type of engine and maintain the original look of the vehicle, it is also necessary to widen the firewall or "bulkhead" to accept the wider engine. This is easily done by drilling out the spot-welds that hold the center panel to the foot well. Remove the panels individually and save them for reuse. Now, drill out the spot-welds out of the inner kick panel. The goal is to match the foot well dimensions to the driver's side (LHD), essentially creating a large factory appearing opening. Fabricate a new center panel, keeping in mind the bellhousing size, engine, transmission and placement.



Most engine conversions are done to add horsepower, performance or reliability along with part availability. Whatever the case may be, engine swaps will normally require cooling upgrades. Over the years, we have tested different radiators and cooling options. We now sell one of the finest and most efficient radiators on the market today. The information listed below describes why our radiators work so well. In addition, we don't stop with just a radiator for the cooling system. We also offer electric fan systems, high flow water pumps, and automatic transmissions cooler lines. These additional products are listed after the radiator information in this catalog.

#### Aluminum Radiator Features:

- \*1" wide core tubes
- \*18 Fins per inch on Toyota L/C
- \*Billet Filler Neck
- \*LT1 order option
- \*No Epoxies, 100% TIG Welded
- \*Temperature Sensor Provision
- \*Cross Flow Design
- \*LS1/Vortec order option
- \*16 Fins per inch
- \*Air Pressure Tested
- \*.083" Mounting Flanges

Inside the radiator, the engine's heated water/coolant flows into the radiator and flows across the numerous tubes. From there the heat is transferred to the fins of the radiator. The fins are air cooled by the airflow of the fan and vehicle speed, which is the only way to dissipate the heat from the fins - thus cooling the water before reentering the engine. Our aluminum radiator with the 1" wide tubes and 16 fins per inch provides excellent heat dissipation.

Our radiator uses a common 3/8" NPT fitting located in the cold side of the tank. This location provides for an accurate temperature reading of the fluid as it enters the engine. Our radiators are air tested a total of 3 times throughout the building process. Air can detect a leak before water. Our billet filler neck requires a standard GM overflow system style cap (3/4" depth). We recommend a 15 lbs. to 22 lbs. cap pressure. A higher pressure cap increases the boiling point. A higher pressure cap keeps the fluid in the cooling system, not the recovery tank.

We use a cross flow design on our radiators to allow the radiator cap to be on the low-pressure side (cold side or water outlet) of the tank. Water drops in pressure as it is cooled; allowing recovered fluid back into the radiator during normal operation. On a down flow radiator, the top tank is always the hot side and is under constant pressure. Under sustained high RPM, this can force the fluid past the filler cap, out the overflow tube, and into the recovery tank even at normal operating temperatures.



Our radiators use an aluminum angle for the mounting flange. This angle is TIG welded to the tanks. The aluminum angle has no mounting bolt holes. The customer determines the mounting pattern and location. This allows height adjustment for the radiator to center up to the water pump with the new engine location. This will also assist a desired height location if a body lift is to be installed.

Our radiators can be ordered with or without a transmission cooler. The radiator has two 1/4" NPT fittings welded into the tank. We also include two 1/4" Male NPT x 5/16" inverted flare fittings. A benefit of the transmission cooler in the radiator is the heat exchange between the radiator and the tranny cooler. The radiator brings the transmission fluid up to a safe and constant operating temperature.

Our radiators are designed to fit standard GM engines. Newer blocks such as the LT1, LS1, and Vortec Gen 3 blocks will require some additional features to be added to the radiator. A steam return option and smaller water inlets and outlets must be incorporated to our radiator when using it to a newer block. We offer our aluminum radiators for the LS and LT series blocks. *These radiators can be ordered by adding the LS or LT at the end of the part number.*

**Copper/Brass Radiator Features:** Our copper/brass custom radiators are also an efficient way of cooling a new engine. Our radiators use a high efficiency automotive core utilizing close tube centers. They are made with serpentine fins and have an in-line tube construction which are 1/2" tubes on 3/8" tube centers. All of our copper/brass radiators come with a transmission cooler. The automatic transmission fittings required are an inverted flare (MPT 1/8" x 5/16" tube O.D. Weatherhead# 202X5, GM and Ford).

**Radiator Recovery Can:** This canister will accumulate any "overflow" from the radiator cap. The accumulated fluid will then be pulled back into the radiator once the engine has cooled. [P/N 716672](#).

**Radiator In-Line Temperature Sensor Adapters:** We offer three upper radiator hose in-line temperature sensor adapters. These adapters allow you to retain your vehicles stock temperature sending unit and stock gauge. These units are offered in either 1-3/8" or 1-1/2" hose diameter as to fit most block and radiator configurations. The sensor hole is either 3/8" or 1/2" on the 1-3/8" adapters or 1/2" on the 1-1/2" adapter.



[P/N 716673](#) - 1-3/8" with 3/8" sensor hole  
[P/N 716673A](#) - 1-3/8" with 1/2" sensor hole  
[P/N 716674](#) - 1-1/2" with 1/2" sensor hole



**Radiator Cap:** The normal operating temperature on most engines is 180 to 200 degrees which generates a pressure of 8-12 pounds. This is true for both carbureted and fuel injected engines. To blow the cap of the radiator the coolant would have to be 270 degrees. Hopefully, the engine would be shut down prior to getting this hot, keeping the coolant inside the radiator. But for added protection, we offer a new 22 lb. radiator pressure cap. This cap works on all of our radiators. [P/N 716679](#).

**Spal Fan Kits:** The Spal fans we offer are the high performance curved bladed pusher or puller fans. These 16" fans are 16.3" tall, 15.75" wide, and 3.39" deep at the fan's motor. The fans are rated at 2070 CFM and being that they are pre-shrouded, they are ideal for cooling larger engines. Our fan kits come complete with the needed wiring harness, which is compatible with both positive and negative ground vehicles. The 3/8" pipe thread sending unit is designed to turn the fan on at 185 degrees and off at 170 degrees. The kit comes with a 40 amp relay, a fuse holder, and all other necessary hardware. In addition, our kit also includes mounting brackets for the fan to the radiator. The mounting brackets are designed for our aluminum radiators, however; we can supply you with brackets to fit our copper/brass radiators upon request.

[716670](#) - Puller Fan Kit  
[716671](#) - Pusher Fan Kit



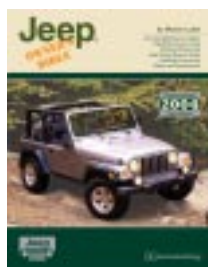
**Transmission Cooler Lines Kit:** As you finish up a drivetrain conversion, there are always a few last minute items that need attention. One of these is the transmission cooler lines. You can surely bend up custom ridged cooler lines and route them up to the radiator or splice into your old lines if your vehicle had a stock automatic. We've found that the ridged lines are sometimes a pain to fit properly, and splicing into your stock lines may not always be the cleanest installation. We now offer a flexible stainless steel hose kit. These hoses are simple to route and easily installed onto the radiator. The seven foot long hoses are long enough to fit most applications while having a bit of extra hose to allow for body and frame flex. Our kit includes two 7' stainless steel outer braid lines with Teflon inner tubing. The ends have dash 6 female A.N. fittings that are pre-crimped to the hose ends. The kit also includes two 1/4" MPT to dash 6 Male fittings for aluminum Rad-a-kool radiators, and two 5/16" inverted flare to dash 6 Male fittings for TH350 / TH400 / 700R4 transmissions.



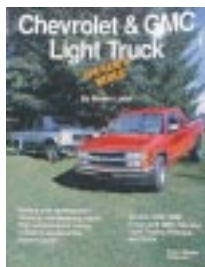
[P/N 23-1500](#) - Transmission Cooler Lines Kit  
[P/N 23-1501](#) - Transmission Cooler Lines Kit 700R/4L60E

## Moses Ludel Owners Bibles:

The Owners Bibles are a great addition in educating yourself regarding your vehicle. These books are a hands-on guide to getting the most from your vehicle by providing information on High-performance modifications, accessories, vehicle history, and tips you should know when buying a new or used vehicle - just a few of the many topics covered by the well known technical writer Moses Ludel.



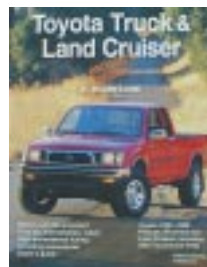
Part # **JOB**



Part # **COB**



Part # **FOB**



Part# **TLCB**

**Owners Bibles &  
Rebuilder's Manuals are  
priced at  
\$39.95**

*Moses Ludel Rebuilder's Manuals:* Is it time to rebuild your Jeep axles or install a locking differential? Does your CJ need a frame-off restoration? Between the covers of these two volumes you'll find the unit repair and overhaul steps for complete Jeep CJ rebuilding.

Having talked with hundreds of enthusiasts, Moses Ludel discovered that hobbyists & professional Jeep mechanics alike want heavily illustrated, step-by-step 'how-to' manuals. In each volume, Moses photographs each step in the process. From disassembly of each powertrain, geartrain, and axle component to rebuilding & upgrading - every step is thoroughly explained. The Advance Adapters Jeep Instruction manual is included at no charge when ordering one of these manuals.



Part # **CJ46-71**



Part # **CJ72-86**

## LOKAR PERFORMANCE PRODUCTS & MISC. COMPONENTS:

Lokar is a manufacturer of accessory components such as flexible dipsticks for engines and transmissions, universal cable throttles, kickdown cables, and a neutral safety backup switch.

*FLEXIBLE ENGINE DIPSTICKS:* These slim designed, flexible dipsticks are great for engine conversions with little to no room to spare.

- P/N 23-0005** - Small block Chevy (1980 & up)
- P/N 23-0006** - Small block Chevy (1979 & earlier)
- P/N 23-0007** - Ford 302 small block engine

*FLEXIBLE TRANSMISSION DIPSTICKS:* These flexible dipsticks work ideally with many of the different transmission conversions we offer. This teflon-lined, braided stainless transmission dipstick easily mounts to the firewall or the transmission.

- P/N 23-0001** - All TH350 & TH400 transmissions
- P/N 23-0002** - All 700R transmissions
- P/N 23-0003** - All C4 transmissions

*UNIVERSAL CABLE THROTTLES:* The throttle cable linkages adapt to factory and aftermarket pedals. These cut-to-fit assemblies work great with most conversions.



- P/N 23-0010** - 24" SS Hi-Tech throttle cable
- P/N 23-0011** - 24" Universal black throttle cable
- P/N 23-0012** - Tuned Port SS throttle cable
- P/N 23-0015** - Stainless Steel Carburetor bracket



**KICKDOWN CABLES:** An adjustable TH350 kickdown with stainless mounting bracket which mounts onto the back manifold bolts. Designed for 4 barrel-type carburetors for small block Chevys.

**P/N 23-0017** - Bracket and Cable (this cable does not work with 700R transmissions)

**T.V. CABLES 700R/4L60:** When installing a 700R or 4L60, a T.V. cable is necessary for the transmission to work correctly. Vehicles driven without the proper cabling will cause severe transmission damage. We carry a T.V. cable and bracketry for the 700R/4L60 transmission to the Vortec Gen. III engines under **P/N 718000**. For other applications such as the Jeep 4.0L, the Ford Explorer 4.0L, and Ford 302, contact Bowtie Overdrives. They makes a kits to assist you in this area. Tel# (760) 947-5240.

**GAS PEDAL:** This large gas pedal is spring loaded like an OEM pedal. **P/N 23-0013**



**LOKAR AUTOMATIC SHIFTERS:** Lokar shifters are completely adjustable so you can mount them in a number of locations front-to-rear. The shifter bolts directly to the top of your transmission. They come complete with a 12" handle and boot.

- P/N 23-T350** - TH350 automatic shifter
- P/N 23-T400** - TH400 automatic shifter
- P/N 23-R700** - 700R automatic shifter
- P/N 23-4L60** - 4 bolt 4L60E shifter
- P/N 23-4L60E** - 6 bolt 4L60E shifter
- P/N 23-4L80E** - 4L80E shifter



**B & M SPORT SHIFTER:** This sport shifter fits the GM TH350, 700R, TH400, and Ford C4 & C6 transmissions. This is a console mounted, cable-operated shifter that works well for most conversions using automatics. **P/N 715680**



**GATED SHIFTER:** This cable shifter is ideal for rock crawling rigs. These shifters fits the GM TH350, 700R, TH400, Powerglides, Ford C4, C6 & AOD transmissions. They are a console mounted shifter that works well for most applications.

- |                         |                             |
|-------------------------|-----------------------------|
| <b>P/N 715681-TH350</b> | <b>P/N 715681-700R</b>      |
| <b>P/N 715681-TH400</b> | <b>P/N 715681-PG</b>        |
| <b>P/N 715681-C4</b>    | <b>P/N 715681-C6</b>        |
| <b>P/N 715681-AOD</b>   | <b>P/N 715681-TF904/999</b> |

**REVERSE GATED SHIFTER:** We also offer a complete line of reverse gated shiftiers. These are perfect for rigs that have had there transmission built with a reverse valve body, The part numbers are **715682**-(Transmission type).

**700R LOCK UP:** Now you can control the lock-up function on your 700R4 overdrive transmission with your carbureted engine without having to buy expensive computer controlled equipment. A vacuum controlled switch and a 4th gear pressure switch controls the torque converter lock up solenoid. The kit comes complete with everything to complete the installation and fits any 700R4 GM transmission. This kit includes: Vacuum switch, 4th gear pressure switch, Brake switch, Torque converter lock-up solenoid, Wire harness, New transmission pan gasket, Mounting hardware. **P/N 24-700R**

**HIGH TORQUE STARTERS:** We offer mini-high torque starters.

- P/N 22-0001** - 168 Tooth V6 & V8 High Torque Starter (Staggered bolt pattern blocks only)
- P/N 22-0002** - Vortec Gen. III High Torque Starter

These starters fit either the staggered bolt pattern of the Chevy V6 & V8 engines with a 168 tooth flywheel or the new Vortec Gen. III engines. These starters offer the highest torque, 200 ft.-lbs. Features include: No heat soak problems, clears all headers, they're a billet aluminum adapter block, a 4.4:1 gear reduction ratio, cranking power for up to 18:1 compression, and includes new mounting bolts.

We also offer a universal straight bolt pattern starter. **P/N 22-0003** fits either the 153 tooth or the 168 tooth flywheels. This starter only fits GM blocks that have the straight bolt pattern option on the block. This starter features a 3.7:1 gear reduction. It does not work with oversized kickout oil pans.



# VORTEC ENGINE INFORMATION

**Installation Considerations:** The GM Vortec Generation III blocks are classified as a 4.8L, 5.3L, 5.7L(LS1), and 6.0L. These blocks have gained popularity because of the emission controls required when performing an engine swap. A few things to consider when using a Vortec Generation III V8 block are as follows: All fasteners are metric. The heads of a Vortec are wider than an early GM V8, so the exhaust manifolds are tough to fit between the frame rails on most vehicles. The exhaust on the driver's side can be a problem for mechanical clutch linkages. The oil pan is aluminum and cannot be modified. This can cause some problems on vehicles requiring oil pan modifications.

We recommend the installation of a Vortec into the following vehicles: Jeep TJ, YJ, and CJ7 (CJs may be required to use a header system), Toyota Land Cruiser, full size Chevys, and any other vehicle with a minimum of a 25" inside frame width.

**Transmission Combinations:** The Vortec engines have the same block bolt pattern as the early GM with the exception of one bolt hole. When bolting an earlier GM transmission or one of our bellhousings to the Vortec block, you will only be able to use 5 bolts on some bellhousing kits. The Vortec engine used a different crank stickout from the back of the block and a different crank bolt pattern. This means the early style flywheels and flexplates will not bolt to the new Vortec blocks. The stock flywheels and flexplates from the Vortec blocks are also unique with regard to the clutch bolt pattern and the torque converter bolt pattern. We have designed two kits for either a manual transmission or an automatic.

There are some Vortec blocks that do not have the recessed crank. This kit will not work on these blocks. One block that we know of is the 6.0L with cast iron heads and the 4.8 or 6.0 engines coupled only to a stock manual transmission in 1999 to 2003. A custom flywheel would have to be made to work on these block, [P/N 6242-002](#).

The kit designed to fit a manual transmission is [P/N 712500M](#). This kit includes a flywheel, flywheel bolts, 11" pressure plate & disc, bolts for the pressure plate, pilot bushing spacer, release bearing, and metric bolts & washers for the bellhousing. The above listed kit works with our bellhousing kits P/N 712525, 712548, 712549, 712567, 712576, 712577, and 712591. A special starter, [P/N 22-0002](#), is required if using bellhousings 712567 and 712591.



The kit designed to fit the TH350 or 700R automatic transmission is [P/N 712500A](#); and for the TH400 transmission [Part No. 712500A4](#). These kits include a modified flexplate (drilled for a early GM torque converter), flexplate bolts, crank spacer bushing. Transmissions such as the 700R4 will require a TV cable kit, [P/N 718000](#). Transmissions like the TH350 and TH400 will require a Lokar kickdown cable.

**Exhaust:** The truck manifolds fit the majority of applications with the exception of the Jeep CJ. The Jeep CJ can use a Vortec Camaro manifold or exhaust headers that we manufacture. On our NV4500 bellhousing kits, the truck manifolds also have some clearance issues with the slave cylinder. We sell a slave cylinder bracket for a NV4500 and Vortec engine application. We also offer a rear dump header similar to truck manifolds, [P/N 717045](#).

- [P/N 717040](#) Jeep CJ Vortec Fenderwell Header
- [P/N 717043](#) Vortec Center Dump Header
- [P/N 716286](#) Slave Cyl. Brkt. (NV4500 w/ truck manifolds)

**Vacuum Lines:** You will notice that the Vortec block has no provision for vacuum lines. There is a small port on the back of the intake manifold that can be used. First, pull out the black plug on the intake manifold by holding pressure on the gray ring. Once the plug is out, drill and tap the black plug for a 1/8" pipe thread. Use a 90 degree 1/8" pipe by 3/8" barb adapter and thread it into the tapped plug. Press the plug back into the manifold and attach the hose.



[P/N 717043](#)

**Radiators:** The Vortec requires a steam release port which is a standard feature on our radiators indicated with part numbers ending with a “-LS”. The Gen III also require smaller water inlets and outlets on the radiators. A 50/50 mixture of Dex-cool and water is recommended for the Vortec engines.

**Fan:** We recommend using an electric fan in most installations. Our Spal fans allow for ample clearance in the engine compartment providing for good air circulation. We offer a Spal fan kit (to fit our radiator) under [P/N 716670](#). This fan is rated at 2070 CFM.

**Wiring:** Installing the Vortec is fairly simple; however, depending on the year of the vehicle, coupling to the stock gauges may require a vehicle service manual. For example, on a Jeep TJ we retained the stock Jeep sending units and attached them to the GM block (oil pressure, temperature, and fuel level). All of them work fine except the tachometer (in which we installed an aftermarket one). Since we used the stock sending units and because the Jeep TJ had a computer controlled stock engine, the Jeep computer thinks that the original engine is still sending information. Vehicles that were not originally computer controlled may just need new dash gauges coupled to the Vortec sending units.

**Throttle Linkage:** The throttle cable that comes on most Vortec engines has a standard cable connection which can be fitted to most gas pedals. A new, larger access hole may need to be drilled in the firewall where the stock cable was originally located.

**Fuel:** The Vortec Gen. III fuel rails have anywhere between 50-60 pounds of fuel pressure! *Only approved high pressure hose and fittings should be used.* The Vortec engines need a minimum diameter of 3/8” line on the pressure side, and a minimum of 5/16” on the return side (3/8” is best for the return line).

Depending on the year, model, and make of your vehicle, you will need to find out what type of fuel delivery system your vehicle was equipped with and what type of pressure it was running. For example, a Jeep TJ used a fuel pump that was internally regulated in the fuel tank at 46 psi. Since the Jeep regulated the pressure at the tank, it did not run a return fuel line. On this installation, we opted to run two new 3/8” lines; one pressure and one return. The pressure line needed to be installed by drilling and installing a bulkhead-type “AN” fitting alongside the stock Jeep pump assembly. A fuel tank pickup also had to be installed. The old “pressure” line out of the Jeep tank was used as a return line from the Vortec. To use this connection, we had to remove the stock internal regulator. This is just an example of one application we encountered.



Crank stickout is almost flush with the back of the block



# GENERAL ENGINE INFORMATION

Being a manufacturer of engine and transmission conversion components, we receive numerous questions regarding engine specifications. We are not experts with the internal workings of these engines; however, we are very familiar with the bolt patterns, motor mounts, flywheels, etc. This section is intended to help identify engine use and interchangeability.

**CHEVY V8:** When it comes to bellhousing bolt patterns, the small & big block Chevs are the same. (This is known as the 90 degree bolt pattern). These engines use a dowel pin alignment. The stock starter bolts to the bottom of the block except on some early blocks like the 265. (*Note: These early blocks, in which the starter bolts to the bellhousing, should not be used for conversions*). The flywheel can either be 153 tooth measuring 12-3/4" in diameter, or 168 tooth measuring 14" in diameter. The 1985 & earlier flywheels are not interchangeable with the 1986 & later flywheels due to a change on the flywheel crank bolt pattern and balancing. If you are using a stock GM bellhousing, make sure you have proper clearance for the flywheel. For the proper starter, GM used two different bolt patterns on the bottom of the block. The straight bolt pattern is normally used with the 153T flywheel, and the offset or staggered starter bolt pattern is normally used with the 168T flywheel. Many Chevy blocks today offer both starter bolt patterns on the block. Some of our conversion bellhousings require a special GM starter nose cone. If your stock starter is interfering with our bellhousing, you may need to grind on the bellhousing a bit or purchase a hi-torque starter which does not have a nose cone. **Warning:** Do not use one of our full conversion bellhousings with a diesel engine. The starter will not fit the bellhousing pocket on our bellhousings.

The oil pans on Chevy blocks have gone through a few changes. 1985 & earlier blocks are all the same except the dipstick access is either on the driver's side or passenger side. In 1986, GM changed their gasket design to a one piece rear main seal. The earlier style oil pans will not fit the newer blocks. The computer controlled blocks in the '90s added oil level sensors. The pans that we manufacture do not have provisions for this sensor.

Most GM blocks used a triangular motor mount bolt pattern. Our conversion mounts all utilize this most common mounting configuration. Some late '90s blocks have varied from this bolt pattern. Please confirm that the block your converting has this triangular mounting pattern. LS1 blocks and Vortec Gen. III V8 blocks use a square bolt pattern for the motor mount. We offer a full selection of conversion mounts for these blocks. GM also changed the crank flange stickout location on the LS1 and Vortec Generation III V8 blocks. This crank is recessed .400" closer in than any other stock Chevy block. When these blocks are used in a conversion, the torque converter or clutch components will need to be adjusted. LT1, LT4, ZZ4, LS1, and Vortec blocks all use angle port heads which are not compatible with most of our header systems. We offer some specialized headers for these blocks. These blocks also require a steam release port on the radiator. The radiator we offer can be ordered with this steam release provision.

**CHEVY 90 degree V6:** This block can either be the 3.8 (229) or 4.3 V6. These engines are identical to the Chevy V8 application with reference to bellhousing, starter, and flywheel. The oil pan has year differences like the Chevy V8 except with the 1997 & newer aluminum oil pan. Vehicles requiring oil pan modifications should not use this block. Motor mounts are also the same as the Chevy V8 with the exception of the location of the triangular bolt pattern in reference to the back of the block. The mount is approximately 4-1/2" closer to the backside of the block.

**CHEVY 60 degree V6:** This is the 2.8L V6 used in S10s and Jeep Cherokees. This bellhousing bolt pattern is completely different than the 90 degree Chevy bolt pattern. GM automatics that have this bolt pattern will not bolt to the 90 degree blocks. In 1996, GM introduced a stock engine replacement known as the 3.4L.

**BUICK V6:** Buick used two different bolt patterns like the engines listed above. The 225, 231, and 3.8L (rear wheel drive vehicle) all used the standard Buick bolt pattern for which we offer motor mounts, bellhousings, and adapters. Engine blocks like the 3.8L transverse (front wheel drive vehicle) have the same bolt pattern as the Chevy 2.8L V6. We do not offer adapters or motor mounts for the Buick aluminum 215 block.

**FORD V8:** Ford V8s use three different block bolt patterns. These engine groups can be found on the bottom of Page 54. Most of the adapters and motor mounts we offer are for the Ford small block. Ford used two flywheels, 157 tooth & 164 tooth. These starters index and bolt on to the bellhousing. It is imperative that you match the flywheel, starter and bellhousing. If you mismatch any of these items, it will only cause you grief! The 351 Windsor is considered a small block but has a few differences. One difference is that the heads of the block are wider. This may cause exhaust clearance problems on some conversions. Another difference is the oil pan bolt pattern. Some conversions, such as the Bronco II, require a special oil pan that may need to be purchased.

**AMC/JEEP Iron Duke 151 4 cylinder:** This 4 cyl. engine is manufactured by GM and used in Jeeps 1980-83. When converting to a Chevy 90 degree V6 or V8, no adapter is necessary. You are limited to a 10-1/2" clutch assembly and a GM Mini High Torque starter.

**AMC/JEEP 150 4 cylinder:** This 4 cyl. engine has the same bolt pattern as the GM 2.8L V6 and is used in Jeep vehicles 1983 & newer.

**AMC/JEEP V8s & In-line 6 cylinders:** Jeep started using the 258 6 cyl., 304 & 360 V8 in 1972, the 401 V8 in 1974 and the 4.0L in 1991. These blocks are listed together because their block bolt patterns are all the same. The same pattern makes engine swapping between these vehicles simple; however, when using the 4.0L, it requires a special hole in the bellhousing for the flywheel sensor. We manufacture the conversion bellhousings for these applications. When installing a V8 where the 6 cyl. was previously, we offer motor mounts for easy installation. Refer to the Jeep Bellhousing section of this booklet.

# VEHICLE SPEED SENSOR INFORMATION

Computer Controlled engines and/or transmissions require a Vehicle Speed Sensor (VSS). Although there are a couple of different styles of sensors, they all perform the same type of purpose - to tell the computer (or PCM) how fast the vehicle is traveling. Using this data, the computer can determine how to adjust for freeway driving, fuel economy, transmission shift points (automatic only), and how to get the best performance at any given moment. Power and fuel economy will be lost if the VSS is not functioning properly. Different styles of VSS are shown below.

<i>Application</i>	<i>Signal type</i>	<i>Pulse count per driveshaft revolution</i>	<i>Mechanical Speedo driven signal available</i>
1986-1992 GM TBI engines 1985-1989 GM TPI engines	Square wave signal - two wire sensor "Pulse Generation"	2	Yes
GM trucks (1993-current)	Sine wave signal - two wire sensor "Voltage Generation"	40	No See voltage generation chart
Jeep (1987-current)	Square wave signal - three wire sensor "Pulse Generation"	3	Yes

As can be seen above, some Vehicle Speed Sensor signals can be created from a standard mechanically driven speedometer. These drivetrains are much easier for swapping because it allows the use of almost any transmission or transfer case combination.

For the 40 pulse GM VSS, there are much fewer options. Please refer to the flowchart below to determine the correct location for the GM 40 pulse VSS in your application.

We do not offer any type of mechanical speedometer driven VSS units; however, these types of units (pulse generation / square wave) are available from most companies that supply engine wiring harnesses or custom speedometer shops such as Nevada Speedometer, Tel# (775) 358-7422.



## Late model GM Engine Voltage generation

*GM 40 pulse Vehicle Speed Sensor - proper location flowchart:*

Computer Controlled GM engine with a computer controlled automatic transmission.	Computer Controlled GM engine with non computer controlled automatic or manual transmission.	Computer Controlled GM engine & drivetrain in a GM 4WD vehicle (Atlas T/C install)
Transmission Output VSS	VSS is needed, but location is not critical	Transfer case tailhousing VSS
<p style="text-align: center;"><b>Transmission:</b></p> <p><b>700R/4L60</b> - See the adapters listed under 700R/4L60 in your specific vehicle year.</p> <p><b>Early 4L60E</b> - All vehicles can use Part No. 716073. For Jeeps and Toyota Land Cruisers, you can also use the adapters listed under the 700R/4L60.</p> <p><b>Late 4L60E</b> - See the adapters listed under 4L60E in your specific vehicle year.</p> <p><b>4L80E</b> - Most early transmissions have a internal tone ring for VSS. The 1997 &amp; later 4WD transmission did not. If you are using a 1997 &amp; later transmission, you need to install a tone ring. On later model transmissions coupled to an Atlas, we offer kit 50-6409 which will provide a rear reluctor ring.</p>	<p>The VSS can be in the transmission or transfer case and still function properly. We offer a reluctor kit that fits on all of our tailhousing kits for the Jeeps. This kit is an external mounted unit that provides a Tru 40 Pulse required for the computer system. The reluctor ring gets mounted to the transfer case yoke. The kit is offered in several yoke styles except a flange yoke. Our Tru-Pulse kit fits the Dana 20, 300, NP, and Atlas transfer cases.</p> <p><b>P/N 50-5040</b> is a 1310 non CV.  <b>P/N 50-5041</b> is a 1310 CV.  <b>P/N 50-5042</b> is a 1350 non CV.  <b>P/N 50-5043</b> is a 1410 non CV.</p>	<p>Atlas transfer case Kit # AVT32L provide a VSS tailhousing with the provision for a low-range switch. (See the Atlas manual for more info.). If the Atlas T/C is not being used, then a GM transfer case that came behind the donor engine can be used. All other transfer cases will require a custom fabricated VSS.</p>

P/N 716073 fits in the main case of a 4L60E transmission and provides a voltage signal.

## MARKS 4WD ADAPTORS:

Advance Adapters is proud to be the exclusive U.S. distributor for Mark's 4WD Adaptors of Melbourne, Australia. Mark's 4WD has been manufacturing adaptors since 1979. Their product line coverage overlaps ours on some vehicles like the Toyota pickup and the Toyota Land Cruisers; however, they offer some adaptors for these vehicles that we do not. A large part of their product line ventures into vehicles that are popular over there, but are in limited supply here in the United States. The drivetrain on Australian vehicles are configured for the driver location on the right side of the vehicle, whereas the U.S. is on the left side. Caution should be used in this area only when dealing with motor mounts. Some mounts may offset the engine to obtain steering clearance for their vehicles, but it will cause clearance problems on ours. Other than the engine position, all other components seem to be interchangeable.

Marks 4WD offers adaptors for: **Toyota Land Cruisers** **Transfer Case Low Gear Options**  
**Land Rovers** **Range Rovers**  
**Mitsubishi trucks** **Isuzus**  
**Plus many accessories**

Their product line is continually growing. Information on their product can be obtained through us, or you can check their complete catalog on-line at: [www.marks4wd.com](http://www.marks4wd.com).

## Automatic transmissions:

Automatic transmissions are very popular when doing transmission retrofits or drivetrain swaps. We now offer automatic transmissions that have been dyno-tested and come with a 24 month or 24,000 mile warranty. These transmissions are completely disassembled and the cases undergo a 7 step process to make the transmission case look like new. These transmissions are built by automatic transmission professionals who use quality parts. When ordering the transmission and adapter at the same time, we will make sure the proper output shaft is installed for you. The transmissions that we carry are listed below. If you do not see the transmission you're looking for, let us know. There's is a good chance we can special order it for you.

P/N **PT350HD** - TH350 4x4 transmission built for 325 horse power  
P/N **PT350SS** - TH350 4x4 transmission (semi manual) built for 450 horse power  
P/N **PT400HD** - TH400 4x4 transmission built for 450 horse power  
P/N **PT400SS** - TH400 4x4 transmission built for 600 horse power  
P/N **PT400SX** - TH400 4x4 transmission built for 900 horse power  
P/N **PT4L60EHD1** - 4L60E 4x4 Gen 1 transmission built for 450 horse power  
P/N **PT4L60EHD2** - 4L60E 4x4 Gen 2 transmission built for 450 horse power  
P/N **PT4L60EHD3** - 4L60E 4x4 Gen 3 transmission built for 450 horse power  
P/N **PT4L60ESX1** - 4L60E 4x4 Gen 1 transmission built for 555 horse power  
P/N **PT4L60ESX2** - 4L60E 4x4 Gen 2 transmission built for 555 horse power  
P/N **PT4L60ESX3** - 4L60E 4x4 Gen 3 transmission built for 555 horse power  
P/N **PT4L80EHD2** - 4L80E 4x4 Gen 2 transmission  
P/N **PT4L80EHD3** - 4L80E 4x4 Gen 3 transmission  
P/N **PT700R4HD** - 700R 4x4 transmission (K case) built for 450 horse power  
P/N **PT700R4RJ** - 700R 4x4 transmission for a Ram Jet Engine  
P/N **PT700R4RV** - 700R 4x4 transmission built for 450 horse power  
P/N **PT700R4SX** - 700R 4x4 transmission built for 575 horse power  
P/N **PT700R4ZZ** - 700R 4x4 transmission built for ZZ4 Crate Engine  
P/N **PTAODHD** - AOD 4x4 transmission (small block) built for 325 horse power  
P/N **PTAODSS** - AOD 4x4 transmission (small block) built for 400 horse power  
P/N **PTC6HD** - C6 4x4 transmission (performance - small block)  
P/N **PTC6SS** - C6 4x4 transmission (high performance - small block)



## Computer Controlled Transmissions:

Most late model transmissions are computer controlled. In most cases when doing a complete drivetrain swap, the engine computer harness will also run the transmission. The problem comes in to play when the transmission was never coupled to the engine as a factory option or you want a late model transmission and an early engine. We offer a GM Stand-A-Lone system that operates the GM 4L60E and 4L80E transmissions. This unit comes complete with an in-vehicle programming box that allows you to adjust the functions of the GM transmission. The Compushift controller system is simple to install and simple to operate. [P/N P4L110](#)

## Shifters:

We also carry a full line of aftermarket shifters. *Option 1:* Lokar shifters are completely adjustable so you can mount them in a number of locations front-to-rear. The shifter bolts directly to the top of your transmission. They come complete with a 12" handle and boot. This sport shifter fits the GM TH350, 700R, TH400, and Ford C4 & C6 transmissions. This is a console mounted, cable-operated shifter that works well for most conversions using automatics. *Option 2:* This is a B&M shifter, [P/N 715680](#). This cable shifter is ideal for rock crawling rigs. Fits the GM TH350, 700R, TH400, Powerglides, Ford C4, C6 & AOD transmissions. *Option 3:* A console mounted, gated shifter that works well for most rigs. It fits the same transmissions just listed. The shifter requires different gating and linkage requirements for the different transmissions. When ordering this kit, please specify the transmission being used. [Part No. 715681](#).

# UNI-RAISE

## The universal drivetrain jack for the shop and trail

Have you ever broken a transfer case yoke on the trail? It's hard to fix it without pulling the skid pan. Maybe you've stacked rocks to support a jack or rigged something up to secure the drivetrain while you remove the skid pan. Whatever the case, it's probably not safe.

This drivetrain jack is for anybody that works on their own vehicles as well as shop owners and mechanics. The Uni-Raise allows you to remove the stock skid pan and/or crossmember while it supports the drivetrain. The Uni-Raise is versatile enough for the avid four wheeler to do on-the-spot trail repairs safe & simple, as well as the shop mechanic for his daily work. The Uni-Raise is adjustable to different frame widths and capable of supporting 600 pounds. Rather than using a floor jack to support your drivetrain making it impossible to move the vehicle around if needed, the Uni-Raise supports the drivetrain from the frame rails allowing you to move the vehicle without having to reinstall the crossmember for support.



The Uni-Raise can be installed in minutes. Just adjust the unit to your frame width, connect the hooks to your frame, and center the jack under the transmission or rear of the engine.

*The Uni-Raise - safe and easy to use. The next necessary tool for your vehicle.*

15-1000 - Uni-Raise



## APPAREL:

We are constantly updating and adding new apparel. Most items have an Advance Adapters logo or Atlas transfer case logo. We buy quality apparel products since they represent our name. Check out our new apparel online at [www.advanceadapters.com](http://www.advanceadapters.com) under the Apparel Category.

Most apparel is stocked in sizes ranging from Medium to XXXL. The apparel size is included in the part numbers (XLG is used for Extra large).

**P/N 716051B** - AA logo beanie (black)

**P/N 716051B-TBLOGO** - Throwback logo beanie (black)

**P/N 716051HL-LOGO** - Flexfit® Large AA logo hat

**P/N 716051HL-LOGO-FLAT** - Flexfit® Large AA logo hat (Flat Brim)

**P/N 716051** \_\_\_\_ - AA and Atlas logo T-shirts (*indicate size*)



## WEB CONVERSION PACKAGES:

We offer complete conversions packages for Jeeps, Toyota (pickups and Land Cruisers) S-10 & Fords. This allows you to select all the necessary components needed for your conversion needs. The web kits offer you the convenience of getting all the products we offer for a certain vehicle, and we do provide you with a package price. Conversion Packages are located under the "Adapters" Category at [www.advanceadapters.com](http://www.advanceadapters.com).



1980-1986 GM V8 & Auto Transmission Conversion Package  
\*actual items may vary from what is shown in the photo



We now offer three different sets of Suzuki Samurai gears:

**P/N 48-4160** is a 4.16:1 low range with a 12% high gear reduction.

**P/N 48-4900** is a 4.90:1 low range with a 16% high gear reduction.

**P/N 48-6400** is a 6.40:1 low range with a 17% high gear reduction.

See the PDF instructions online for case modifications and gear installations.



**ADVANCE ADAPTERS** INC  
4320 AEROTECH CENTER WAY; PO BOX 247  
PASO ROBLES, CA 93446  
Toll Free 1-800-350-2223 OR 805-238-7000  
[www.advanceadapters.com](http://www.advanceadapters.com)